

- RUMAH SOLO -
ARCHITECTURAL DRAWING
2018 / 04 / 24

DRAWING LIST

RUMAH SOLO
JAKARTA

NO	DRAWING NO.	DRAWING TITLE	SCALE	PAPER	REMARK
GENERAL INFORMATION					
1	AR-00.000-01	COVER	NTS	A3	
2	AR-00.001-01	DRAWING LIST	NTS	A3	
3	AR-00.002-01	MATERIAL SCHEDULE	NTS	A3	
DRAWING INFORMATION					
4	AR-01.001-01	DENAH LANTAI 1	1 : 125	A3	
5	AR-01.001-02	DENAH LANTAI 2	1 : 125	A3	
6	AR-01.001-03	DENAH LANTAI 3	1 : 125	A3	
7	AR-01.001-04	DENAH ATAP	1 : 125	A3	
8	AR-01.002-01	DENAH INFO LANTAI 1	1 : 125	A3	
9	AR-01.002-02	DENAH INFO LANTAI 2	1 : 125	A3	
10	AR-01.002-03	DENAH INFO LANTAI 3	1 : 125	A3	
11	AR-01.002-04	DENAH INFO ATAP	1 : 125	A3	
12	AR-01.003-01	DENAH POLA LANTAI, LANTAI 1	1 : 125	A3	
13	AR-01.003-02	DENAH POLA LANTAI, LANTAI 2	1 : 125	A3	
14	AR-01.003-03	DENAH POLA LANTAI, LANTAI 3	1 : 125	A3	
15	AR-01.004-01	DENAH FINISHING DINDING LANTAI 1	1 : 125	A3	
16	AR-01.004-02	DENAH FINISHING DINDING LANTAI 2	1 : 125	A3	
17	AR-01.004-03	DENAH FINISHING DINDING LANTAI 3	1 : 125	A3	
18	AR-01.005-01	DENAH POLA PLAFOND LANTAI 1	1 : 125	A3	
19	AR-01.005-02	DENAH POLA PLAFOND LANTAI 2	1 : 125	A3	
20	AR-01.005-03	DENAH POLA PLAFOND LANTAI 3	1 : 125	A3	
21	AR-01.006-01	DENAH RENCANA KUSEN LANTAI 1	1 : 125	A3	
22	AR-01.006-02	DENAH RENCANA KUSEN LANTAI 2	1 : 125	A3	

NO	DRAWING NO.	DRAWING TITLE	SCALE	PAPER	REMARK
23	AR-02.001-01	TAMPAK DEPAN	1 : 100	A3	
24	AR-02.001-02	TAMPAK BELAKANG	1 : 100	A3	
25	AR-02.001-03	TAMPAK SAMPING KANAN	1 : 100	A3	
26	AR-02.001-04	TAMPAK SAMPING KIRI	1 : 100	A3	
27	AR-03.001-01	POTONGAN 1	1 : 100	A3	
28	AR-03.001-02	POTONGAN 2	1 : 100	A3	
29	AR-03.001-03	POTONGAN 3	1 : 100	A3	
30	AR-03.001-04	POTONGAN 4	1 : 100	A3	
31	AR-03.001-05	POTONGAN 5	1 : 100	A3	
32	AR-03.001-06	POTONGAN 6	1 : 100	A3	
33	AR-03.001-07	POTONGAN 7	1 : 100	A3	
34	AR-04.001-01	DETAIL TANGGA UTAMA	1 : 50	A3	
35	AR-04.001-02	DETAIL TANGGA SERVICE	1 : 50	A3	
36	AR-04.001-03	DETAIL TANGGA ENTRANCE	1 : 50	A3	
37	AR-04.002-01	DETAIL POWDER ROOM	1 : 50	A3	
38	AR-04.002-02	DETAIL KAMAR MANDI ANAK	1 : 50	A3	
39	AR-04.002-03	DETAIL KAMAR MANDI UTAMA	1 : 50	A3	
40	AR-04.002-04	DETAIL KAMAR MANDI ASSISTANT	1 : 50	A3	
41	AR-04.003-01	DETAIL KOLAM RENANG	1 : 75	A3	
42	AR-04.003-02	DETAIL KOLAM IKAN 1 DAN 2	1 : 75	A3	
43	AR-04.003-03	DETAIL AIR MANCUR	1 : 20	A3	

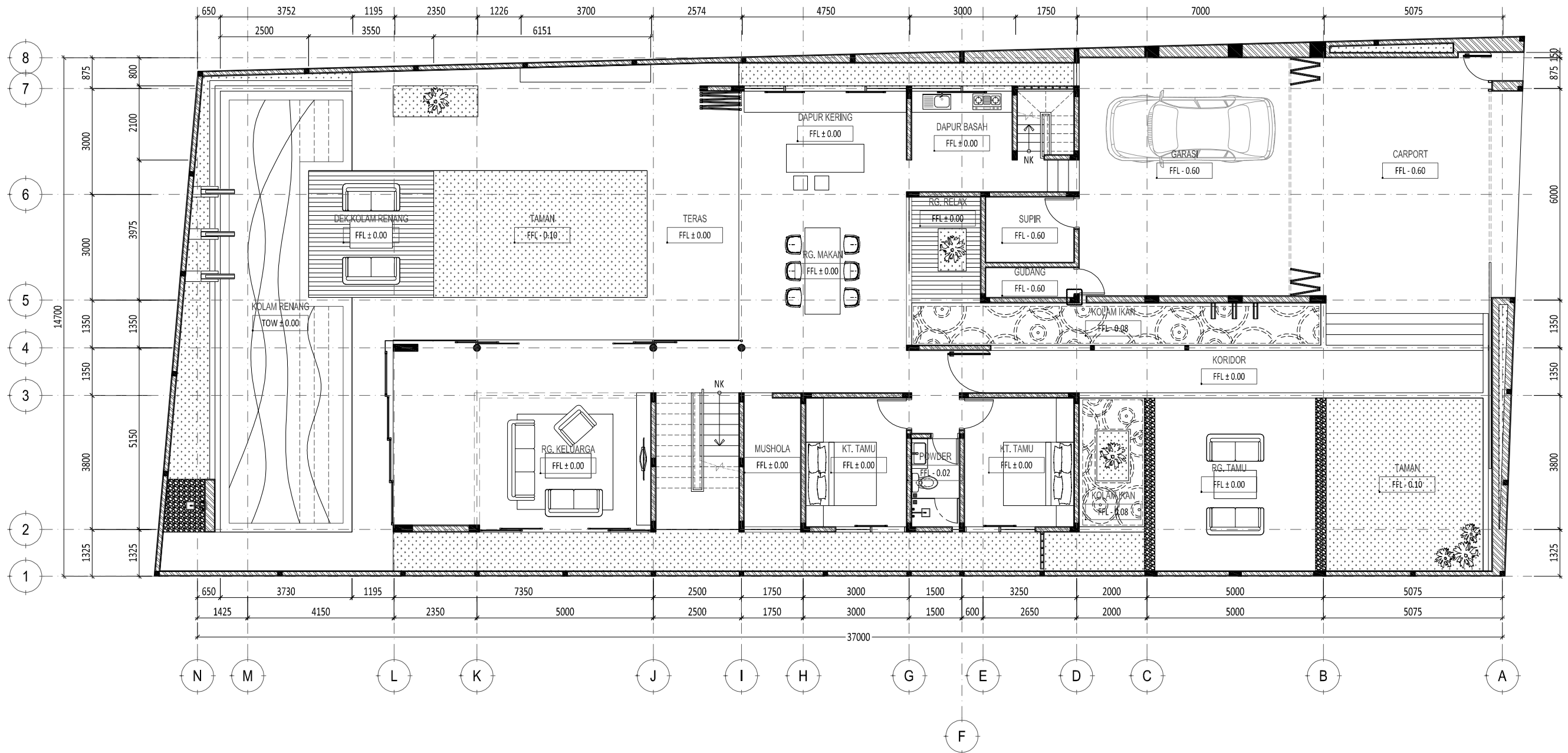
NO	DRAWING NO.	DRAWING TITLE	SCALE	PAPER	REMARK
44	AR-04.004-01	DETAIL PINTU D-1 & D-2	1 : 30	A3	
45	AR-04.004-02	DETAIL PINTU D-2' & D-3	1 : 30	A3	
46	AR-04.004-03	DETAIL PINTU D-3' & D-4	1 : 30	A3	
47	AR-04.004-04	DETAIL PINTU D-5	1 : 30	A3	
48	AR-04.004-05	DETAIL PINTU D-6	1 : 30	A3	
49	AR-04.004-06	DETAIL PINTU D-7	1 : 30	A3	
50	AR-04.004-07	DETAIL PINTU D-8	1 : 30	A3	
51	AR-04.004-08	DETAIL PINTU D-9 & D-9'	1 : 30	A3	
52	AR-04.004-09	DETAIL JENDELA W-1 & W-2	1 : 30	A3	
53	AR-04.004-10	DETAIL JENDELA W-3 & W-4	1 : 30	A3	
54	AR-04.004-11	DETAIL JENDELA W-5, W-6 & W-7	1 : 30	A3	
55	AR-04.004-12	DETAIL JENDELA W-8	1 : 30	A3	
56	AR-04.004-13	DETAIL JENDELA W-9 & W-10	1 : 30	A3	
57	AR-04.004-14	DETAIL JENDELA W-11 & W-12	1 : 30	A3	
58	AR-04.004-15	DETAIL JENDELA W-13, W-14 & W-15	1 : 30	A3	
59	AR-04.004-16	DETAIL JENDELA W-16 & W-17	1 : 30	A3	
60	AR-04.004-17	DETAIL JENDELA W-18	1 : 30	A3	
61	AR-04.004-18	DETAIL PINTU JENDELA DW-1 & DW-2	1 : 30	A3	
62	AR-04.004-19	DETAIL PINTU JENDELA DW-3	1 : 30	A3	
63	AR-04.004-20	DETAIL PINTU JENDELA DW-4 & DW-5	1 : 30	A3	
64	AR-04.004-21	DETAIL PINTU JENDELA DW-6, DW-7 & DW-8	1 : 30	A3	
65	AR-04.004-22	DETAIL PINTU JENDELA DW-9	1 : 30	A3	
66	AR-04.005-01	DETAIL ARSITEKTUR	1 : 10	A3	

Drawing Information : Drawn by : NR_Studio Project Architect : Studio Teras Structural Engineer : - ME Engineer : - Contractor : - COPYRIGHT NO PART OF THIS DOCUMENT MAY BE REPRODUCED, TRANSMITTED, OR RECORDED IN ANY FORM OF OTHERWISE WITHOUT PRIOR WRITTEN PERMISSION OF THE ARCHITECT/ENGINEERS.	Client :	Project :	RUMAH SOLO	NO.	DATE	REVISED / ISSUE	MARK	Legend :	Drawing Title :	DRAWING LIST	Project No.	-
				01.	11-10-2017	DD					Status	FOR CONSTRUCTION
				02.							Date	-
				03.							Scale	NTS A3
				04.							Drawing Number	
				05.							AR-00.001-01	

RUMAH SOLO
MATERIAL & FINISHES SCHEDULE

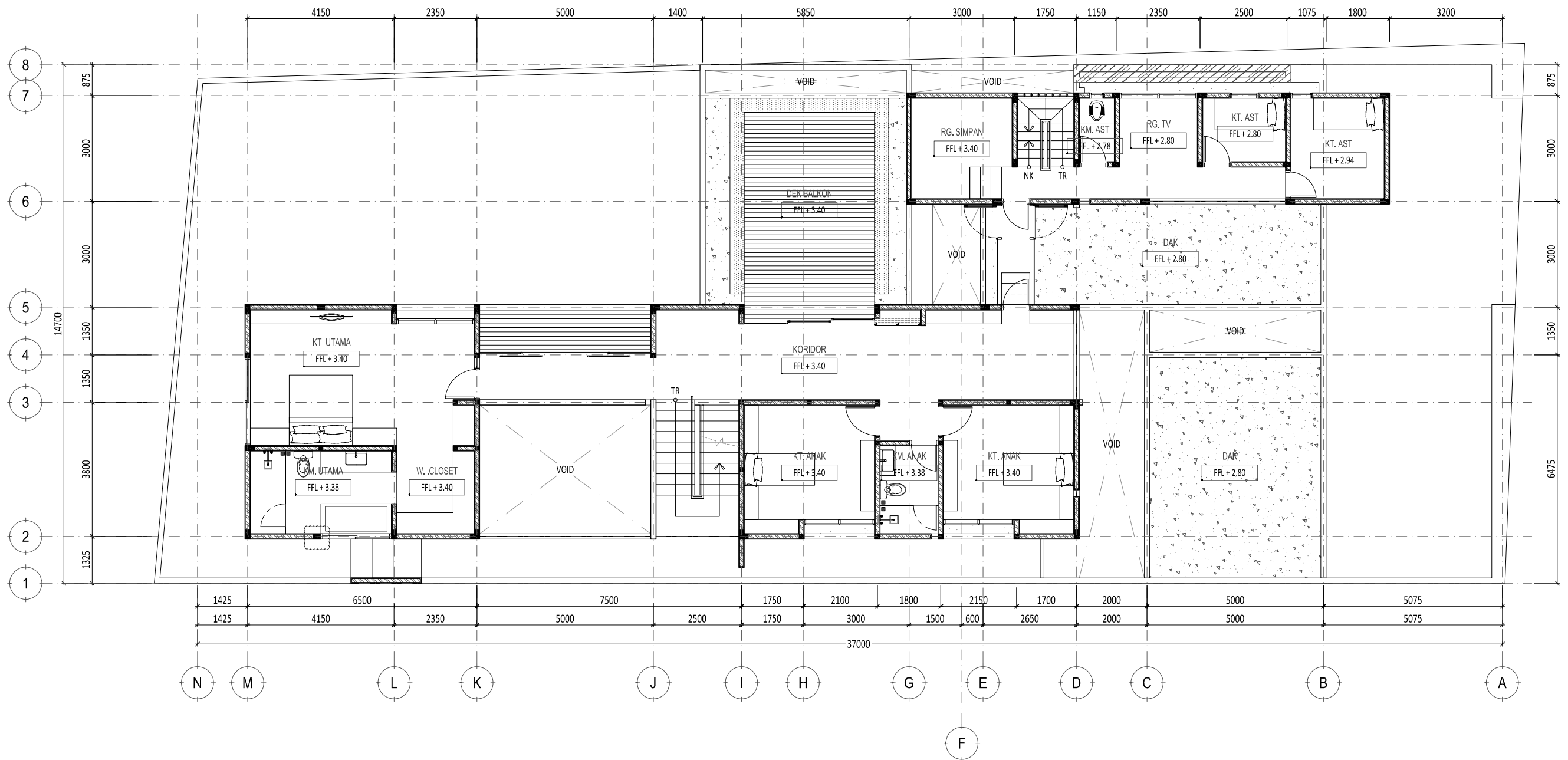
NO	RUANGAN	LANTAI		DINDING		PLAFOND		CODE	MATERIAL
		MATERIAL	CODE	MATERIAL	CODE	MATERIAL	CODE		
LANTAI 1									
1	CARPORT	ANDESITE COBBLE STONE 10 X 10 CM TEBAL 5 CM	FF-01	CAT EXTERIOR EX. DULUX	WF-2	CONCRETE FIN. PAINT	CF-02	FF-01	ANDESITE COBBLE STONE 10 X 10 CM TEBAL 5 CM
2	GARASI	ANDESITE COBBLE STONE 10 X 10 CM TEBAL 5 CM	FF-01	CAT INTERIOR EX. DULUX	WF-1	GYPSUM FIN. PAINT	CF-01	FF-02	KERIKIL TABUR OVAL DIAMETER 3-5CM
3	KM. SUPIR	KERAMIK TILE 200 X 200 MM EX. ROMAN	FF-08	CAT INTERIOR EX. DULUX	WF-1	GYPSUM FIN. PAINT	CF-01	FF-03	GRANITE SILVER GREY 60 X 120 CM
4	GUDANG	KERAMIK TILE 200 X 200 MM EX. ROMAN	FF-08	CAT INTERIOR EX. DULUX	WF-1	GYPSUM FIN. PAINT	CF-01	FF-04	MARMER STATUARIO
5	DAPUR BASAH	HOMOGENOUS TILE 300 X 600 MM EX. ROMAN	FF-05	CAT INTERIOR EX. DULUX	WF-1	GYPSUM FIN. PAINT	CF-01	FF-05	HOMOGENOUS TILE 300 X 600 MM EX. ROMAN
6	DAPUR KERING	MARMER STATUARIO	FF-04	CAT INTERIOR EX. DULUX	WF-1	GYPSUM FIN. PAINT	CF-01	FF-06	PARQUET SOLID 12 X 90 CM
7	RG. MAKAN	MARMER STATUARIO	FF-04	CAT INTERIOR EX. DULUX	WF-1	GYPSUM FIN. PAINT	CF-01	FF-07	DEK KAYU BANGKIRAI LEBAR 15CM TEBAL 2CM
8	RG. RELAX	DEK KAYU BANGKIRAI LEBAR 15CM TEBAL 2CM	FF-07	CAT INTERIOR EX. DULUX	WF-1	CONCRETE FIN. PAINT	CF-02	FF-08	KERAMIK TILE 200 X 200 MM EX. ROMAN
9	TAMAN	RUMPUT JEPANG	FF-10	-	-	-	-	FF-09	MOZAIK KUDA LAUT 5X5CM
10	KORIDOR ENTRANCE	GRANITE SILVER GREY 60 X 120 CM	FF-03	TRAVERTINE SILVER	WF-4	GYPSUM FIN. PAINT	CF-01	FF-10	RUMPUT JEPANG
11	KOLAM IKAN 1	MOZAIK KUDA LAUT 5X5CM	FF-09	-	-	-	-	WF-1	CAT INTERIOR EX. DULUX
12	KOLAM IKAN 2	MOZAIK KUDA LAUT 5X5CM	FF-09	-	-	-	-	WF-2	CAT EXTERIOR EX. DULUX
13	RG. TAMU	MARMER STATUARIO	FF-04	CAT EXTERIOR EX. DULUX	WF-2	GYPSUM FIN. PAINT	CF-01	WF-3	HT 30X60CM EX.ROMAN
14	KT. TAMU	PARQUET SOLID 12 X 90 CM	FF-06	CAT INTERIOR EX. DULUX	WF-1	GYPSUM FIN. PAINT	CF-01	WF-4	TRAVERTINE SILVER
15	POWDER/KM	HOMOGENOUS TILE 300 X 600 MM EX. ROMAN	FF-05	HT 30X60CM EX.ROMAN	WF-3	GYPSUM FIN. PAINT	CF-01	WF-5	BATU CURIJ
16	MUSHOLA	PARQUET SOLID 12 X 90 CM	FF-06	CAT INTERIOR EX. DULUX	WF-1	GYPSUM FIN. PAINT	CF-01	WF-6	CERAMIC 20X20CM EX.ROMAN
17	RG. KELUARGA	MARMER STATUARIO	FF-04	CAT INTERIOR EX. DULUX	WF-1	GYPSUM FIN. PAINT	CF-01	WF-7	MARMER STATUARIO
18	TERAS	GRANITE SILVER GREY 60 X 120 CM	FF-03	CAT EXTERIOR EX. DULUX	WF-2	GYPSUM FIN. PAINT	CF-01	CF-01	GYPSUM FIN. PAINT
19	DEK KOLAM RENANG	DEK KAYU BANGKIRAI LEBAR 15CM TEBAL 2CM	FF-07	-	-	-	-	CF-02	CONCRETE FIN. PAINT
20	KOLAM RENANG	MOZAIK KUDA LAUT 5X5CM	FF-09	-	-	-	-		
LANTAI 2									
1	KT. AST	KERAMIK TILE 200 X 200 MM EX. ROMAN	FF-08	CAT INTERIOR EX. DULUX	WF-1	GYPSUM FIN. PAINT	CF-01		
2	RG. TV	KERAMIK TILE 200 X 200 MM EX. ROMAN	FF-08	CAT INTERIOR EX. DULUX	WF-1	CONCRETE FIN. PAINT	CF-02		
3	KM. AST	KERAMIK TILE 200 X 200 MM EX. ROMAN	FF-08	CAT INTERIOR EX. DULUX	WF-1	GYPSUM FIN. PAINT	CF-01		
4	RG. SIMPAN	KERAMIK TILE 200 X 200 MM EX. ROMAN	FF-08	CAT INTERIOR EX. DULUX	WF-1	CONCRETE FIN. PAINT	CF-02		
5	CONECTING	KERAMIK TILE 200 X 200 MM EX. ROMAN	FF-08	-	-	CONCRETE FIN. PAINT	CF-02		
6	DAK	KERIKIL TABUR OVAL DIAMETER 3-5CM	FF-02	-	-	-	-		
7	DEK BALKON	DEK KAYU BANGKIRAI LEBAR 15CM TEBAL 2CM	FF-07	-	-	-	-		
8	KORIDOR	PARQUET SOLID 12 X 90 CM	FF-06	CAT INTERIOR EX. DULUX	WF-1	GYPSUM FIN. PAINT	CF-01		
9	KT. ANAK	PARQUET SOLID 12 X 90 CM	FF-06	CAT INTERIOR EX. DULUX	WF-1	GYPSUM FIN. PAINT	CF-01		
10	KM. ANAK	HOMOGENOUS TILE 300 X 600 MM EX. ROMAN	FF-05	HT 30X60CM EX.ROMAN	WF-3	GYPSUM FIN. PAINT	CF-01		
11	KT. UTAMA	PARQUET SOLID 12 X 90 CM	FF-06	CAT INTERIOR EX. DULUX	WF-1	GYPSUM FIN. PAINT	CF-01		
12	W.I.CLOSET	PARQUET SOLID 12 X 90 CM	FF-06	CAT INTERIOR EX. DULUX	WF-1	GYPSUM FIN. PAINT	CF-01		
13	KM. UTAMA	MARMER STATUARIO	FF-04	MARMER STATUARIO	WF-7	GYPSUM FIN. PAINT	CF-01		
14	SHOWER UTAMA	HOMOGENOUS TILE 300 X 600 MM EX. ROMAN	FF-05	MARMER STATUARIO	WF-7	GYPSUM FIN. PAINT	CF-01		
LANTAI 3									
1	RG. JEMUR	-	-	CAT EXTERIOR EX. DULUX	WF-2	CONCRETE FIN. PAINT	CF-02		
2	RG. CUCI	KERAMIK TILE 200 X 200 MM EX. ROMAN	FF-08	CAT EXTERIOR EX. DULUX	WF-2	CONCRETE FIN. PAINT	CF-02		
3	RG. MEP	KERAMIK TILE 200 X 200 MM EX. ROMAN	FF-08	CAT INTERIOR EX. DULUX	WF-1	CONCRETE FIN. PAINT	CF-02		
4	RG. TANGKI AIR	KERAMIK TILE 200 X 200 MM EX. ROMAN	FF-08	CAT EXTERIOR EX. DULUX	WF-2	CONCRETE FIN. PAINT	CF-02		

Drawing Information : Drawn by : NR_Studio Project Architect : Studio Teras Structural Engineer : - ME Engineer : - Contractor : - COPYRIGHT NO PART OF THIS DOCUMENT MAY BE REPRODUCED, TRANSMITTED, OR RECORDED IN ANY FORM OF OTHERWISE WITHOUT PRIOR WRITTEN PERMISSION OF THE ARCHITECT/ENGINEERS.	Client :	Project : RUMAH SOLO	NO.	DATE	REVISED / ISSUE	MARK	Legend :	Drawing Title : MATERIAL SCHEDULE	Project No.	-
			01.	11-10-2017	DD				Status	FOR CONSTRUCTION
			02.					Date	-	
			03.					Scale	NTS	A3
			04.					Drawing Number		
			05.					AR-00.002-01		
			06.							
			06.							
			06.							



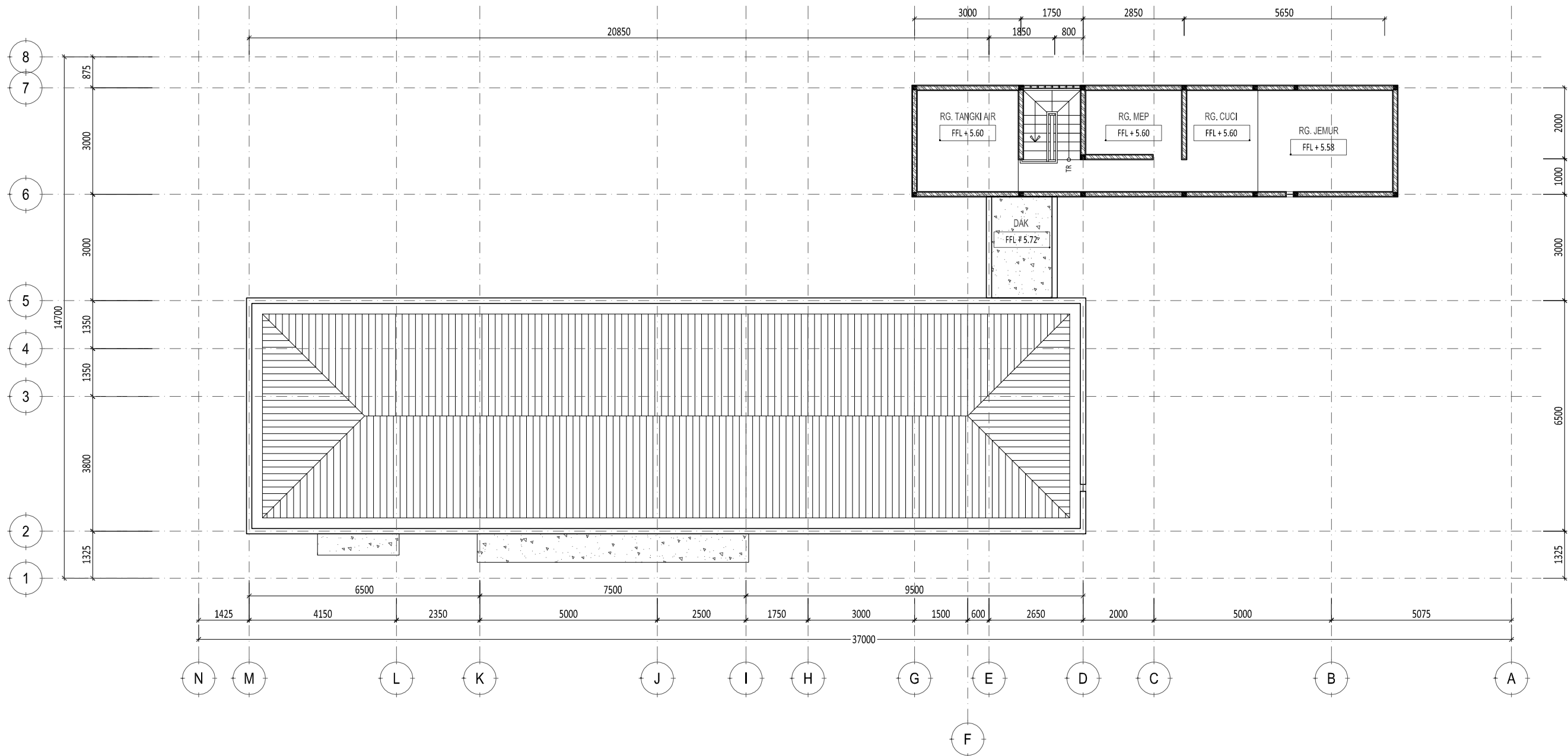
1 DENAH LANTAI 1
SCALE 1: 125 (A3)

Drawing Information : Drawn by : NR_Studio Project Architect : Studio Teras Structural Engineer : - ME Engineer : - Contractor : - COPYRIGHT NO PART OF THIS DOCUMENT MAY BE REPRODUCED, TRANSMITTED, OR RECORDED IN ANY FORM OF OTHERWISE WITHOUT PRIOR WRITTEN PERMISSION OF THE ARCHITECT/ENGINEERS.	Client :	Project : RUMAH SOLO	NO. DATE REVISED / ISSUE MARK Legend :	Drawing Title : DENAH LANTAI 1	Project No. -																												
			<table border="1"> <tr><td>01.</td><td>11-10-2017</td><td>DD</td><td></td></tr> <tr><td>02.</td><td></td><td></td><td></td></tr> <tr><td>03.</td><td></td><td></td><td></td></tr> <tr><td>04.</td><td></td><td></td><td></td></tr> <tr><td>05.</td><td></td><td></td><td></td></tr> <tr><td>06.</td><td></td><td></td><td></td></tr> <tr><td>06.</td><td></td><td></td><td></td></tr> <tr><td>06.</td><td></td><td></td><td></td></tr> </table>		01.	11-10-2017	DD		02.				03.				04.				05.				06.				06.				06.
01.	11-10-2017	DD																															
02.																																	
03.																																	
04.																																	
05.																																	
06.																																	
06.																																	
06.																																	



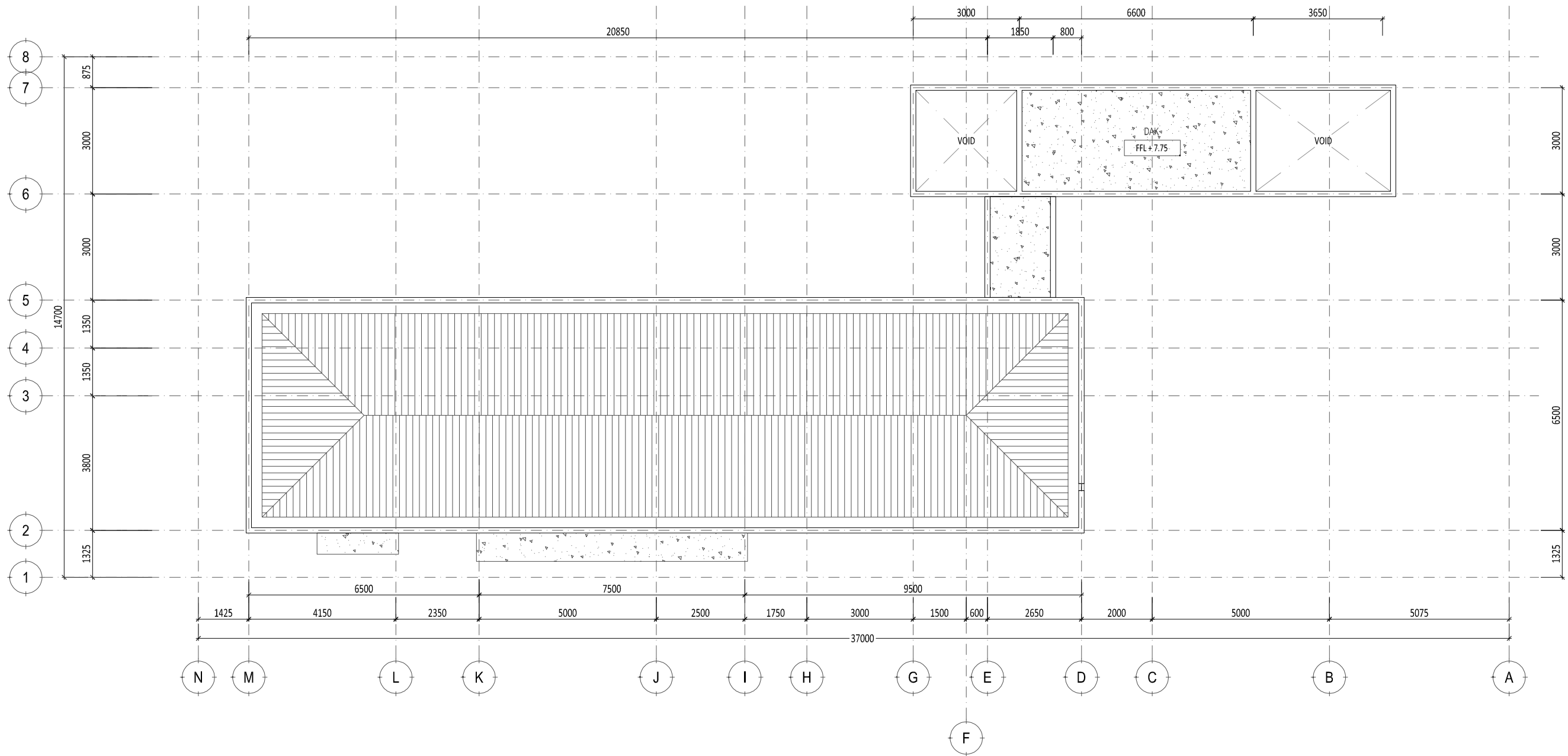
1 DENAH LANTAI 2
SCALE 1: 125 (A3)

Drawing Information : Drawn by : NR_Studio Project Architect : Studio Teras Structural Engineer : - ME Engineer : - Contractor : - COPYRIGHT NO PART OF THIS DOCUMENT MAY BE REPRODUCED, TRANSMITTED, OR RECORDED IN ANY FORM OF OTHERWISE WITHOUT PRIOR WRITTEN PERMISSION OF THE ARCHITECT/ENGINEERS.	Client : Project : RUMAH SOLO	<table border="1"> <thead> <tr> <th>NO.</th> <th>DATE</th> <th>REVISED / ISSUE</th> <th>MARK</th> </tr> </thead> <tbody> <tr> <td>01.</td> <td>11-10-2017</td> <td>DD</td> <td></td> </tr> <tr> <td>02.</td> <td></td> <td></td> <td></td> </tr> <tr> <td>03.</td> <td></td> <td></td> <td></td> </tr> <tr> <td>04.</td> <td></td> <td></td> <td></td> </tr> <tr> <td>05.</td> <td></td> <td></td> <td></td> </tr> <tr> <td>06.</td> <td></td> <td></td> <td></td> </tr> <tr> <td>06.</td> <td></td> <td></td> <td></td> </tr> <tr> <td>06.</td> <td></td> <td></td> <td></td> </tr> </tbody> </table>	NO.	DATE	REVISED / ISSUE	MARK	01.	11-10-2017	DD		02.				03.				04.				05.				06.				06.				06.				Legend : 	Drawing Title : DENAH LANTAI 2	Project No. : -
			NO.	DATE	REVISED / ISSUE	MARK																																			
01.	11-10-2017	DD																																							
02.																																									
03.																																									
04.																																									
05.																																									
06.																																									
06.																																									
06.																																									
Status : FOR CONSTRUCTION																																									
Date : -																																									
Scale : 1: 125 A3																																									
Drawing Number																																									
AR-01.001-02																																									



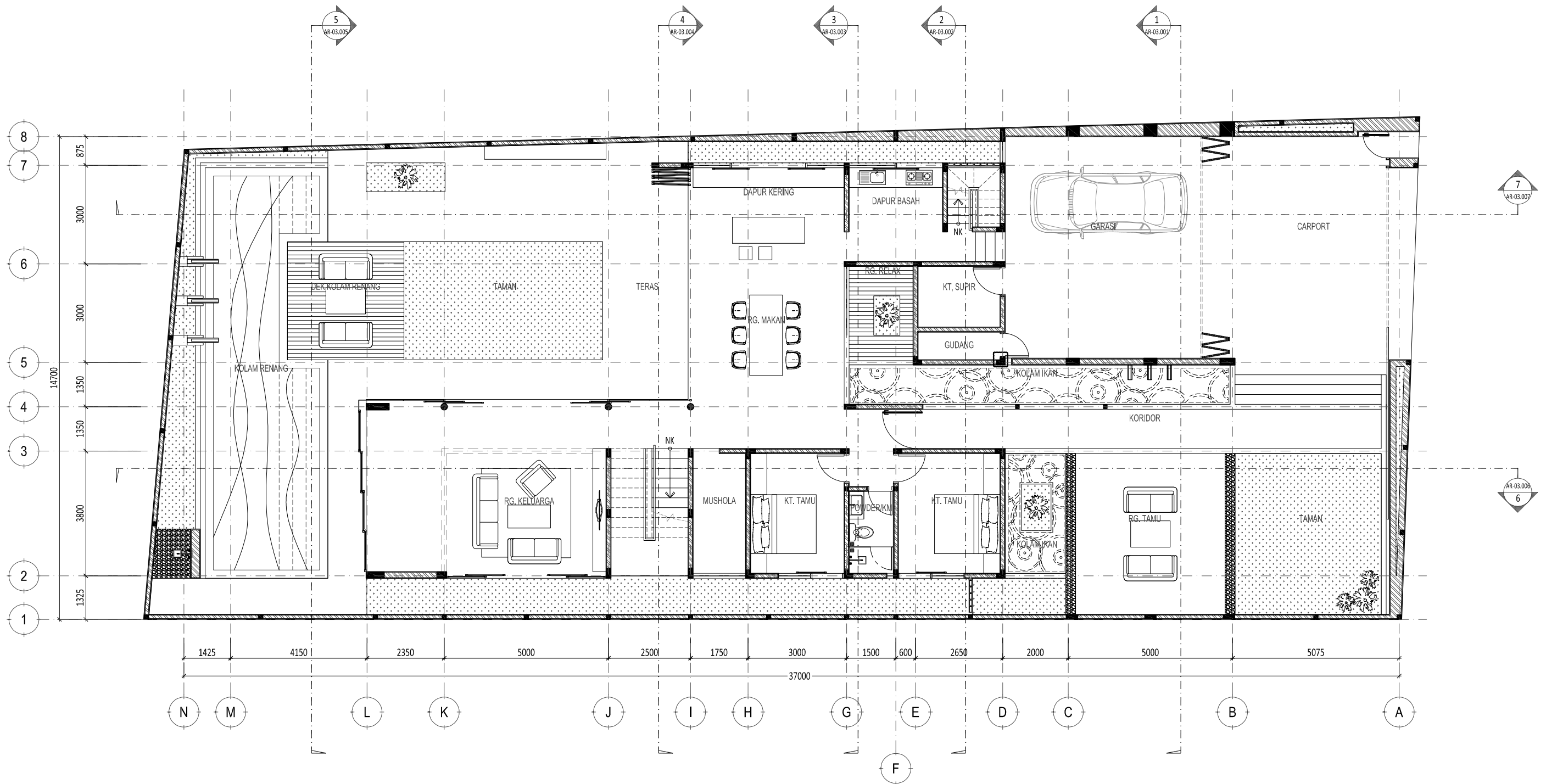
1 DENAH LANTAI 3
SCALE 1: 125 (A3)

Drawing Information : Drawn by : NR_Studio Project Architect : Studio Teras Structural Engineer : - ME Engineer : - Contractor : - COPYRIGHT NO PART OF THIS DOCUMENT MAY BE REPRODUCED, TRANSMITTED, OR RECORDED IN ANY FORM OF OTHERWISE WITHOUT PRIOR WRITTEN PERMISSION OF THE ARCHITECT/ENGINEERS.	Client :	Project :	RUMAH SOLO	NO.	DATE	REVISED / ISSUE	MARK	Legend :	Drawing Title :	DENAH LANTAI 3	Project No.	-
				01.	11-10-2017	DD					Status	FOR CONSTRUCTION
				02.							Date	-
				03.							Scale	1: 125 A3
				04.							Drawing Number	
				05.							AR-01.001-03	
06.												
06.												



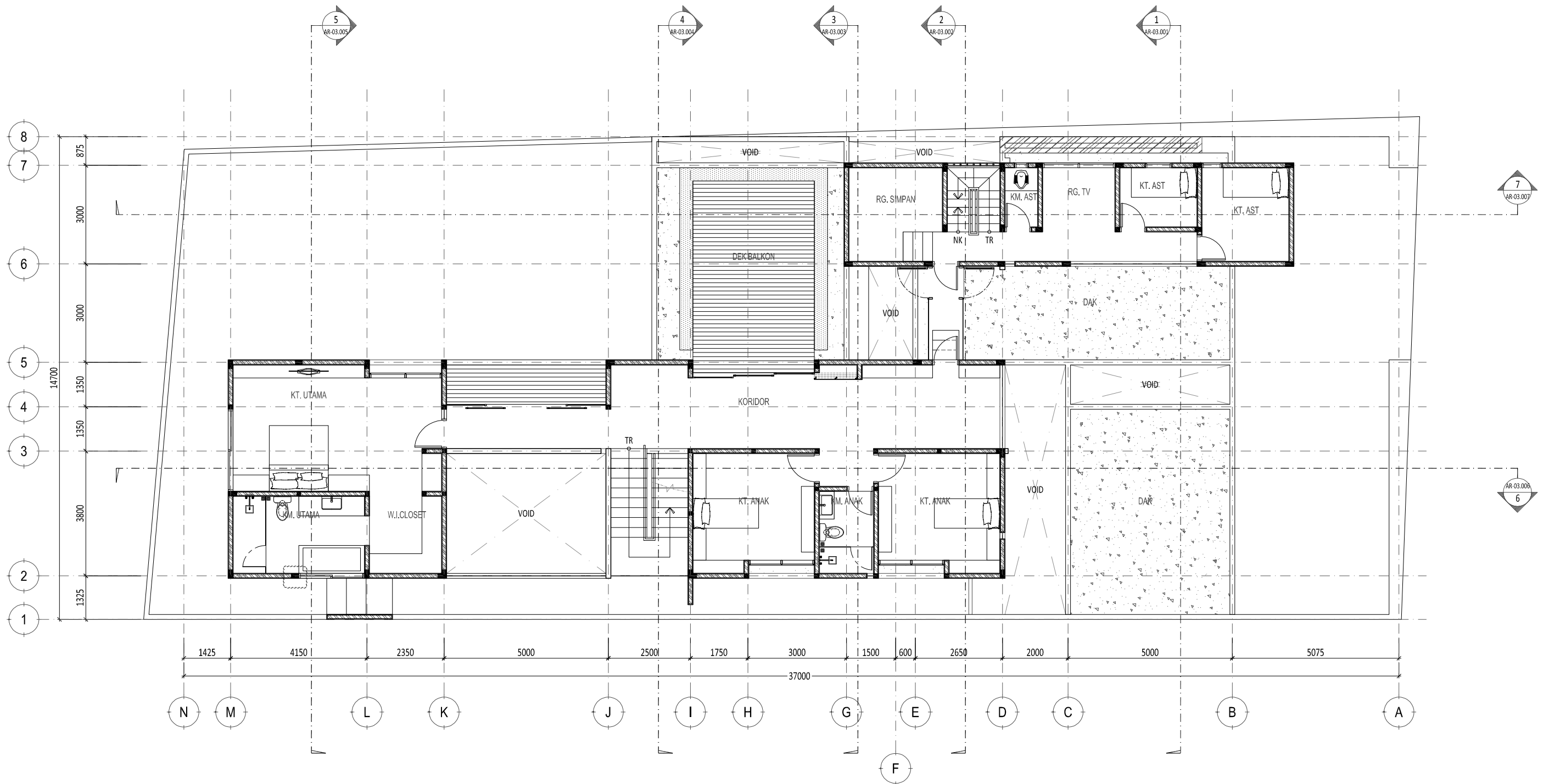
1 DENAH ATAP
SCALE 1: 125 (A3)

Drawing Information : Drawn by : NR_Studio Project Architect : Studio Teras Structural Engineer : - ME Engineer : - Contractor : - COPYRIGHT NO PART OF THIS DOCUMENT MAY BE REPRODUCED, TRANSMITTED, OR RECORDED IN ANY FORM OF OTHERWISE WITHOUT PRIOR WRITTEN PERMISSION OF THE ARCHITECT/ENGINEERS.	Client :	Project : RUMAH SOLO	NO.	DATE	REVISED / ISSUE	MARK	Legend :	Drawing Title : DENAH ATAP	Project No.	-
			01.	11-10-2017	DD				Status	FOR CONSTRUCTION
			02.						Date	-
			03.						Scale	1: 125 A3
			04.						Drawing Number	
			05.						AR-01.001-04	
06.										
06.										



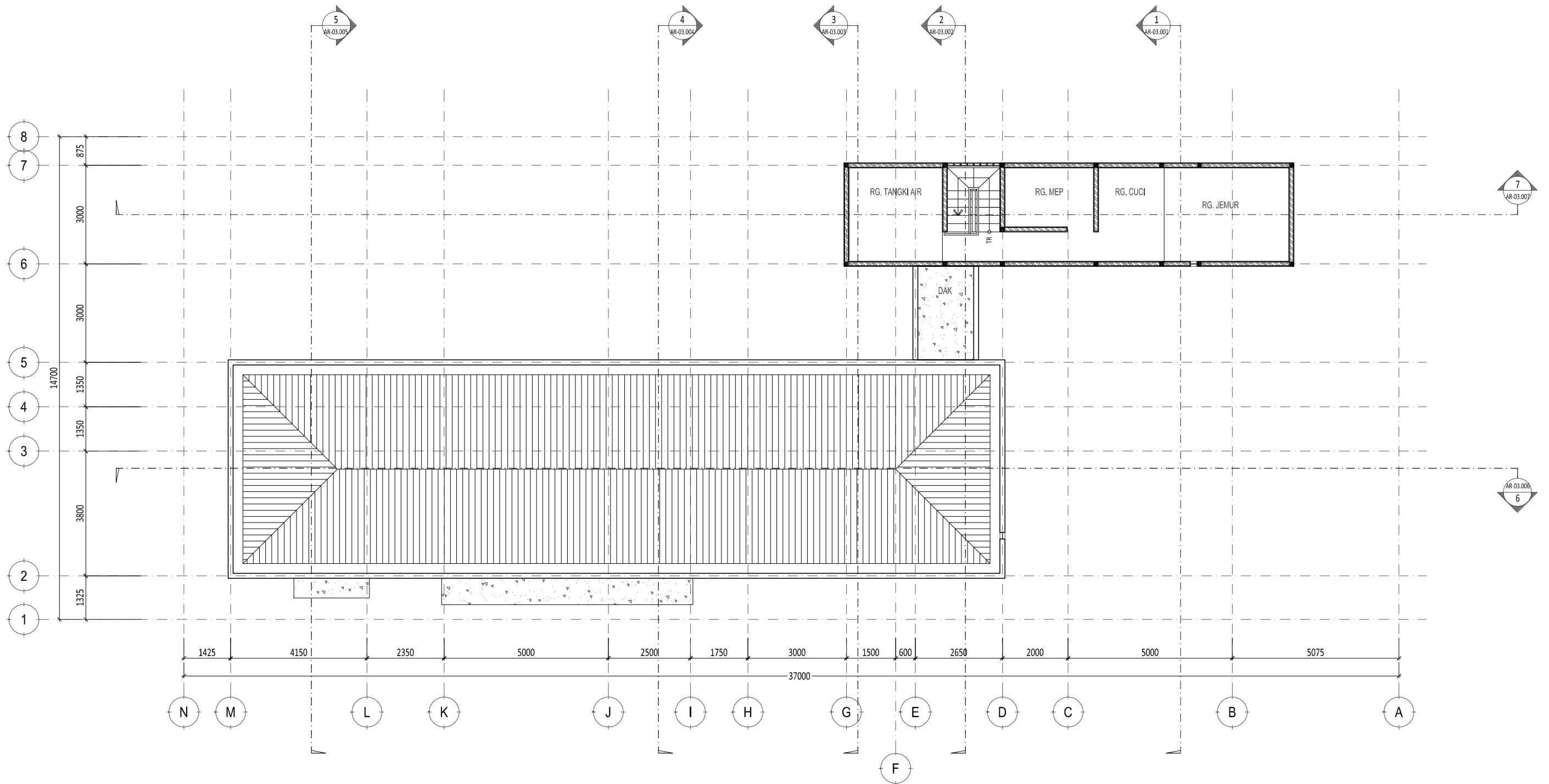
1 DENAH INFO LANTAI 1
SCALE 1: 125 (A3)

Drawing Information : Drawn by : NR_Studio Project Architect : Studio Teras Structural Engineer : - ME Engineer : - Contractor : - COPYRIGHT NO PART OF THIS DOCUMENT MAY BE REPRODUCED, TRANSMITTED, OR RECORDED IN ANY FORM OF OTHERWISE WITHOUT PRIOR WRITTEN PERMISSION OF THE ARCHITECT/ENGINEERS.	Client :	Project : <p style="text-align: center;">RUMAH SOLO</p>	NO. DATE REVISED / ISSUE MARK Legend :	Drawing Title : <p style="text-align: center;">DENAH INFO LANTAI 1</p>	Project No. -																												
			<table border="1"> <tr><td>01.</td><td>11-10-2017</td><td>DD</td><td></td></tr> <tr><td>02.</td><td></td><td></td><td></td></tr> <tr><td>03.</td><td></td><td></td><td></td></tr> <tr><td>04.</td><td></td><td></td><td></td></tr> <tr><td>05.</td><td></td><td></td><td></td></tr> <tr><td>06.</td><td></td><td></td><td></td></tr> <tr><td>06.</td><td></td><td></td><td></td></tr> <tr><td>06.</td><td></td><td></td><td></td></tr> </table>		01.	11-10-2017	DD		02.				03.				04.				05.				06.				06.				06.
01.	11-10-2017	DD																															
02.																																	
03.																																	
04.																																	
05.																																	
06.																																	
06.																																	
06.																																	



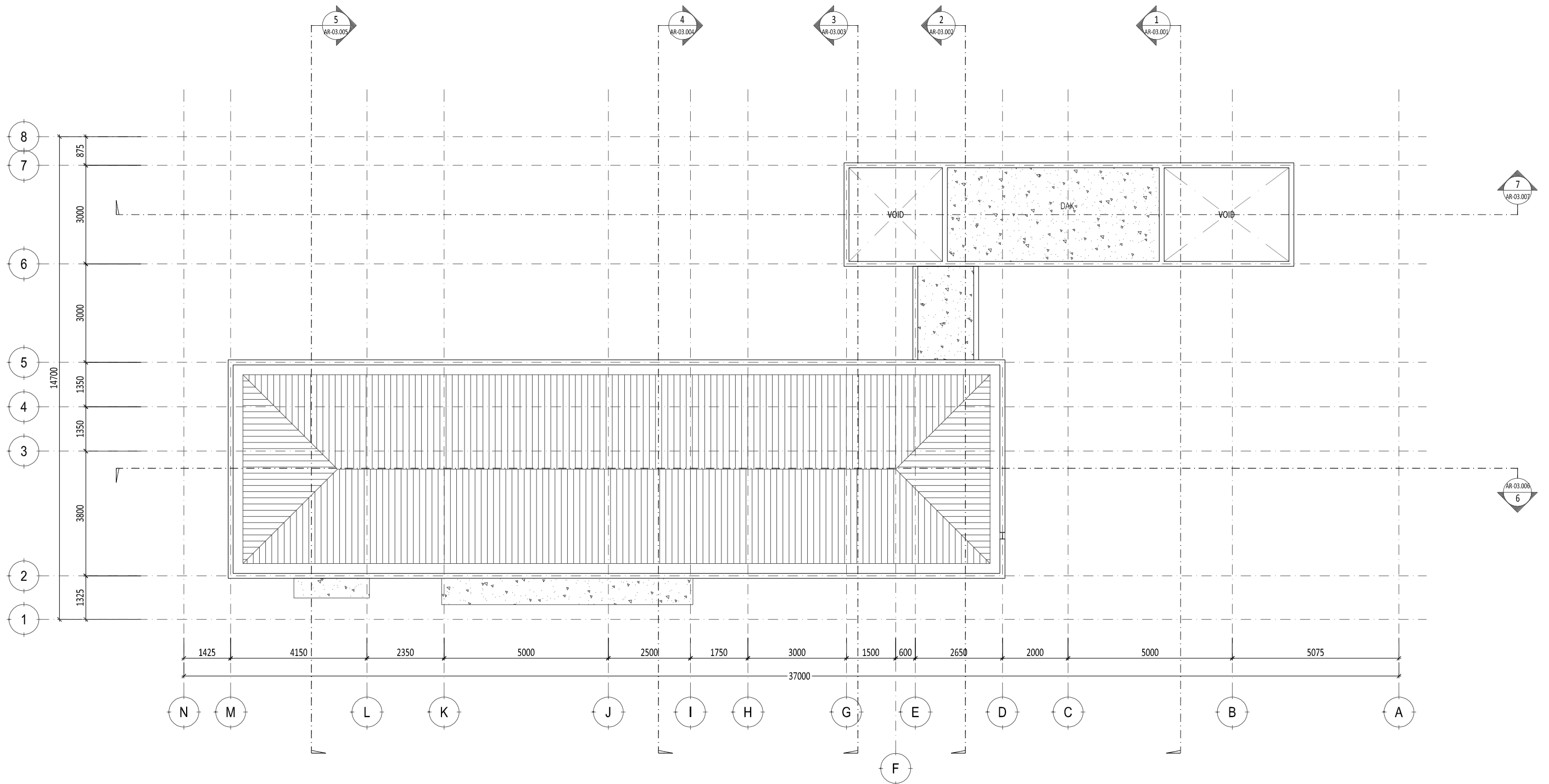
1 DENAH INFO LANTAI 2
SCALE 1: 125 (A3)

Drawing Information : Drawn by : NR_Studio Project Architect : Studio Teras Structural Engineer : - ME Engineer : - Contractor : - COPYRIGHT NO PART OF THIS DOCUMENT MAY BE REPRODUCED, TRANSMITTED, OR RECORDED IN ANY FORM OF OTHERWISE WITHOUT PRIOR WRITTEN PERMISSION OF THE ARCHITECT/ENGINEERS.	Client : Project : RUMAH SOLO	NO. DATE REVISED / ISSUE MARK Legend :	Drawing Title : DENAH INFO LANTAI 2	Project No. -
		01. 11-10-2017 DD		Status FOR CONSTRUCTION
		02.		Date -
		03.		Scale 1: 125 A3
		04.		Drawing Number
		05.		AR-02.001-02
		06.		



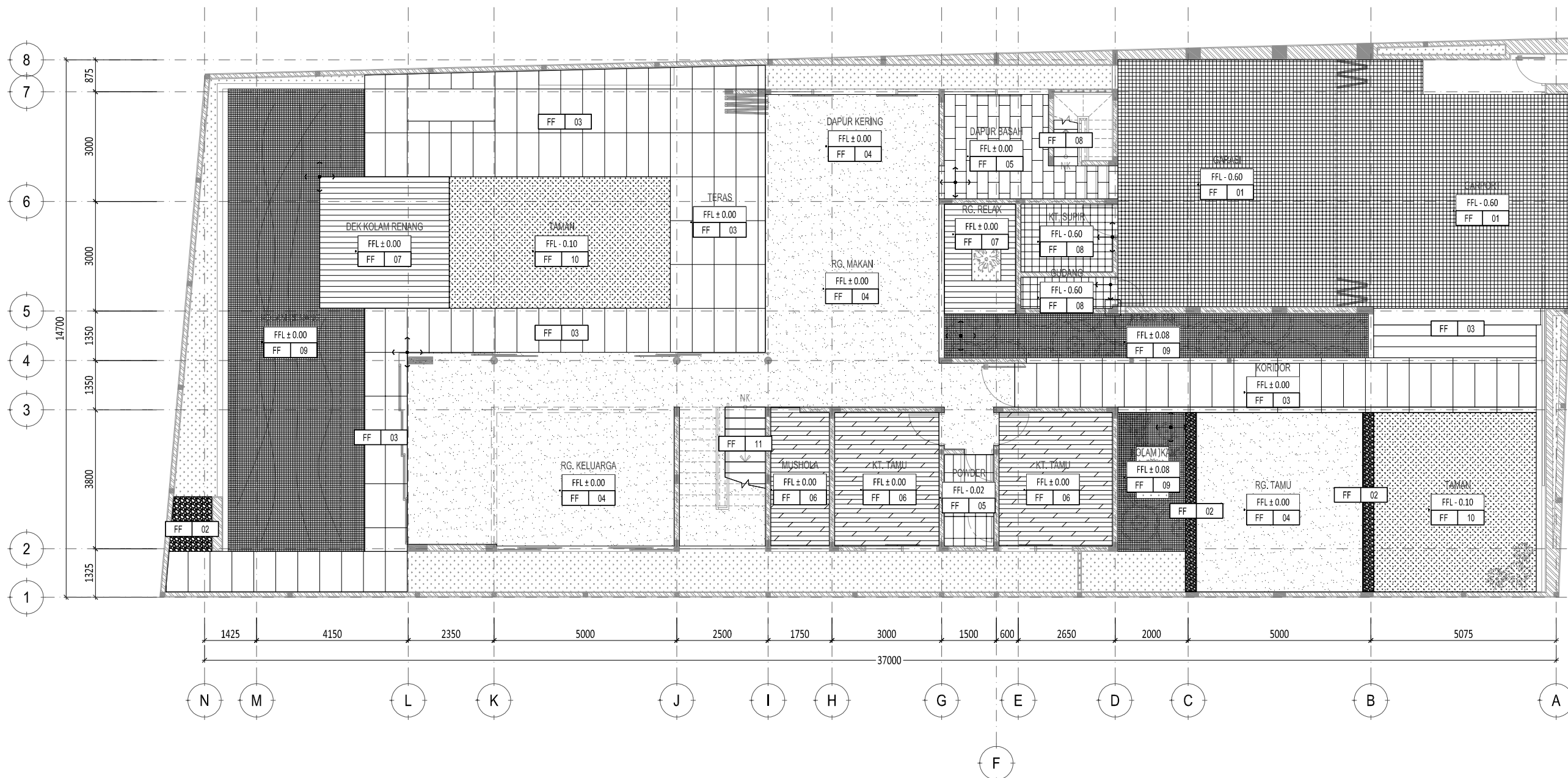
1 DENAH INFO LANTAI 3
SCALE 1: 125 (A3)

Drawing Information : Drawn by : NR_Studio Project Architect : Studio Teras Structural Engineer : - ME Engineer : - Contractor : - COPYRIGHT NO PART OF THIS DOCUMENT MAY BE REPRODUCED, TRANSMITTED, OR RECORDED IN ANY FORM OF OTHERWISE WITHOUT PRIOR WRITTEN PERMISSION OF THE ARCHITECT/ENGINEERS.	Client :	Project :	RUMAH SOLO	NO.	DATE	REVISED / ISSUE	MARK	Legend :	Drawing Title :	DENAH INFO LANTAI 3	Project No.	-	
				01.	11-10-2017	DD					Status	FOR CONSTRUCTION	
				02.							Date	-	
				03.							Scale	1: 125	A3
				04.							Drawing Number		
				05.							AR-02.001-03		
06.													



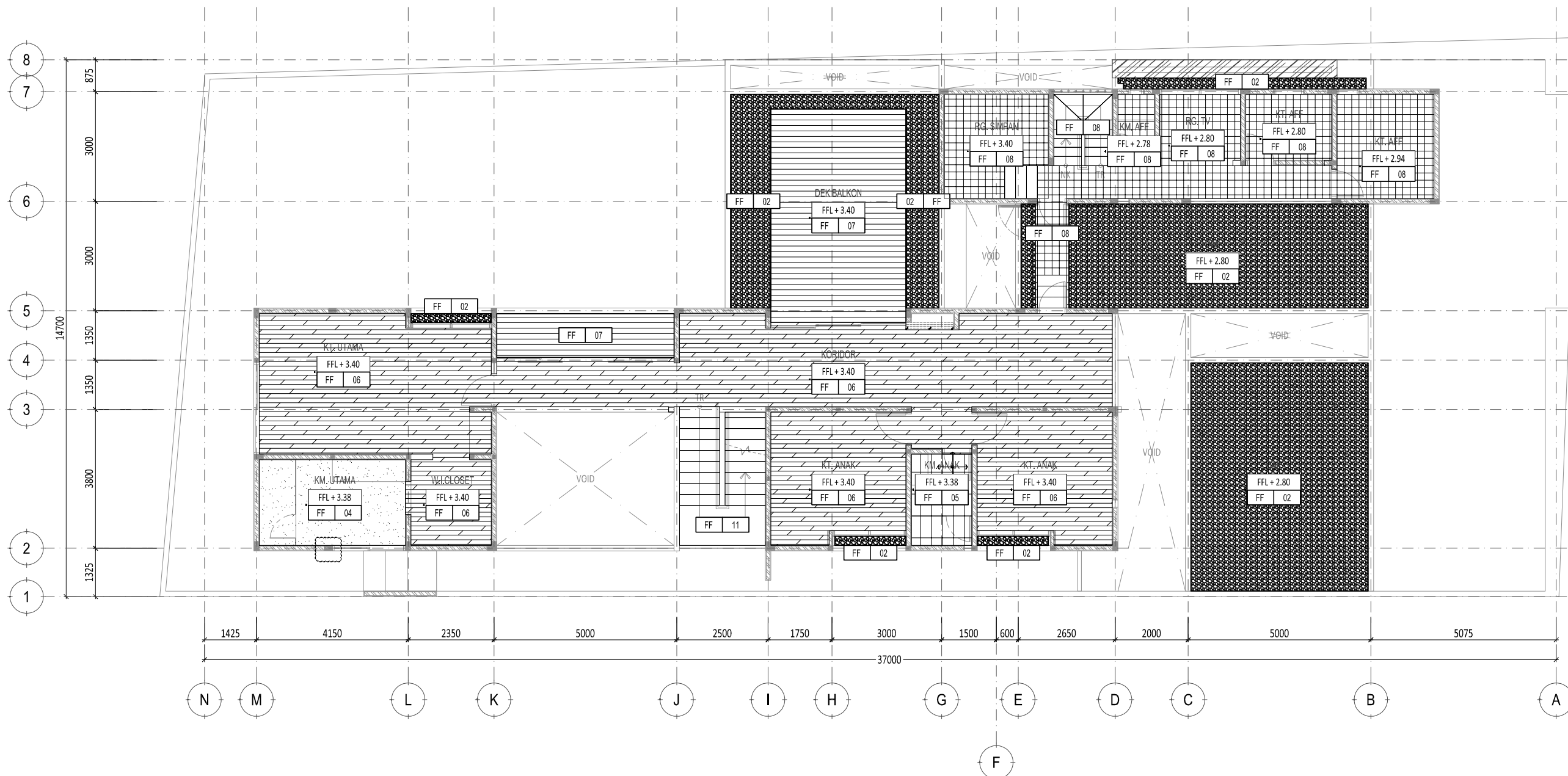
1 DENAH INFO ATAP
SCALE 1: 125 (A3)

Drawing Information : Drawn by : NR_Studio Project Architect : Studio Teras Structural Engineer : - ME Engineer : - Contractor : - COPYRIGHT NO PART OF THIS DOCUMENT MAY BE REPRODUCED, TRANSMITTED, OR RECORDED IN ANY FORM OF OTHERWISE WITHOUT PRIOR WRITTEN PERMISSION OF THE ARCHITECT/ENGINEERS.	Client :	Project : <p style="text-align: center;">RUMAH SOLO</p>	NO. DATE REVISED / ISSUE MARK Legend :	Drawing Title : <p style="text-align: center;">DENAH INFO ATAP</p>	Project No. -																												
			<table border="1"> <tr><td>01.</td><td>11-10-2017</td><td>DD</td><td></td></tr> <tr><td>02.</td><td></td><td></td><td></td></tr> <tr><td>03.</td><td></td><td></td><td></td></tr> <tr><td>04.</td><td></td><td></td><td></td></tr> <tr><td>05.</td><td></td><td></td><td></td></tr> <tr><td>06.</td><td></td><td></td><td></td></tr> <tr><td>06.</td><td></td><td></td><td></td></tr> <tr><td>06.</td><td></td><td></td><td></td></tr> </table>		01.	11-10-2017	DD		02.				03.				04.				05.				06.				06.				06.
01.	11-10-2017	DD																															
02.																																	
03.																																	
04.																																	
05.																																	
06.																																	
06.																																	
06.																																	



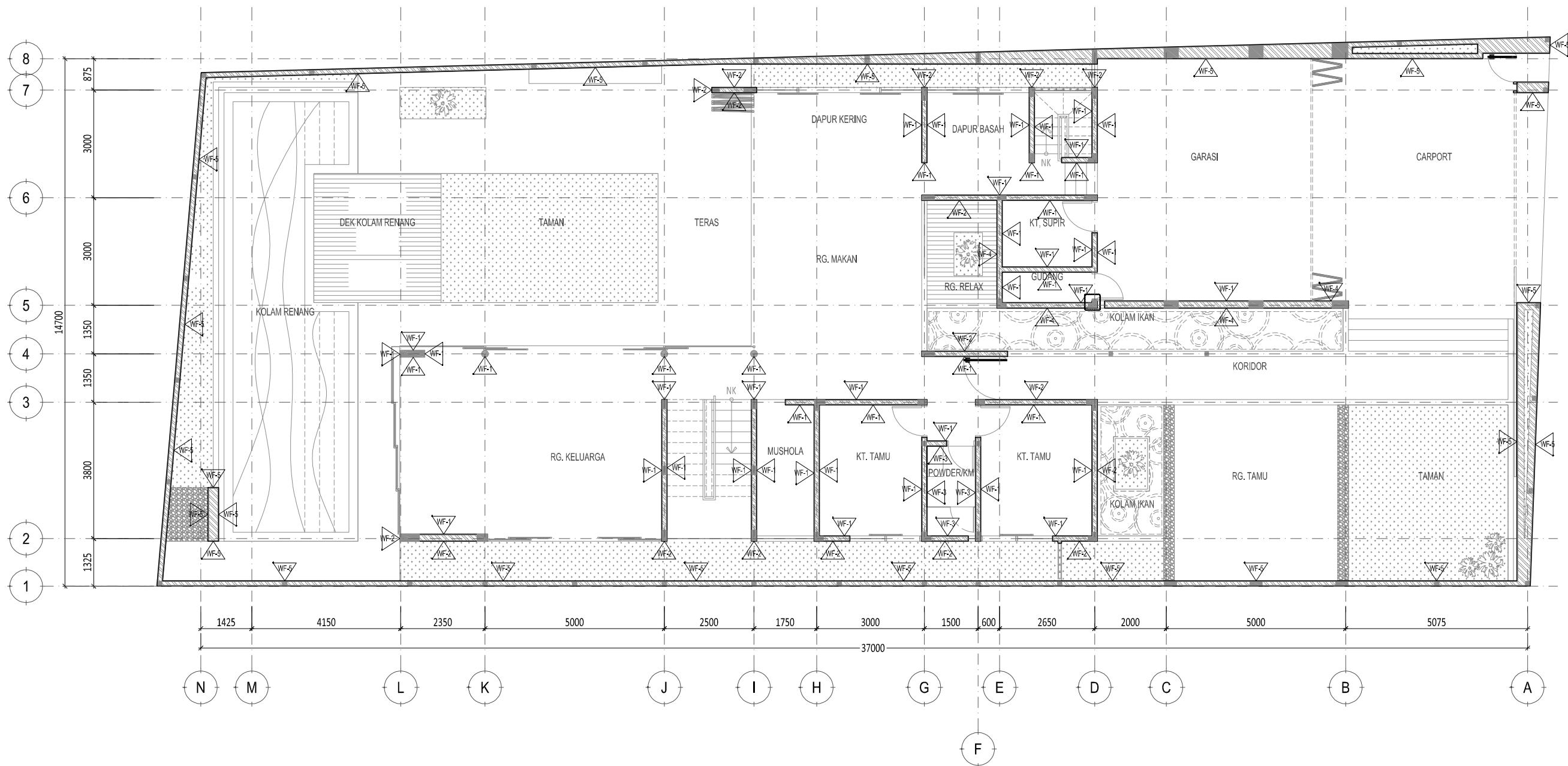
1 DENAH POLA LANTAI LANTAI 1
SCALE 1: 125 (A3)

Drawing Information : Drawn by : NR_Studio Project Architect : Studio Teras Structural Engineer : - ME Engineer : - Contractor : - COPYRIGHT NO PART OF THIS DOCUMENT MAY BE REPRODUCED, TRANSMITTED, OR RECORDED IN ANY FORM OF OTHERWISE WITHOUT PRIOR WRITTEN PERMISSION OF THE ARCHITECT/ENGINEERS.	Client : Project : RUMAH SOLO	NO. DATE REVISED / ISSUE MARK 01. 11-10-2017 DD 02. 03. 04. 05. 06. 06.	Legend : FF 01 : ANDESITE COBBLE STONE 10 X 10 CM TEBAL 5 CM FF 02 : KERIKIL TABUR OVAL DIAMETER 3-5CM FF 03 : GRANITE SILVER GREY 60 X 120 CM FF 04 : MARMER STATUARIO FF 05 : HOMOGENOUS TILE 300 X 600 FF EX. ROMAN FF 06 : PARQUET SOLID 12 X 90 CM FF 07 : DEK KAYU BANGKIRAI LEBAR 15CM TEBAL 2CM FF 08 : KERAMIK TILE 200 X 200 FF EX. ROMAN FF 09 : MOZAIK KUDA LAUT 5X5CM FF 10 : RUMPUT JEPANG FF 11 : KAYU MERBAU SOLID TEBAL 2CM	Drawing Title : DENAH POLA LANTAI LANTAI 1	Project No. : Status : FOR CONSTRUCTION Date : Scale : 1:125 A3 Drawing Number : AR-01.003-01
--	--	--	---	--	---



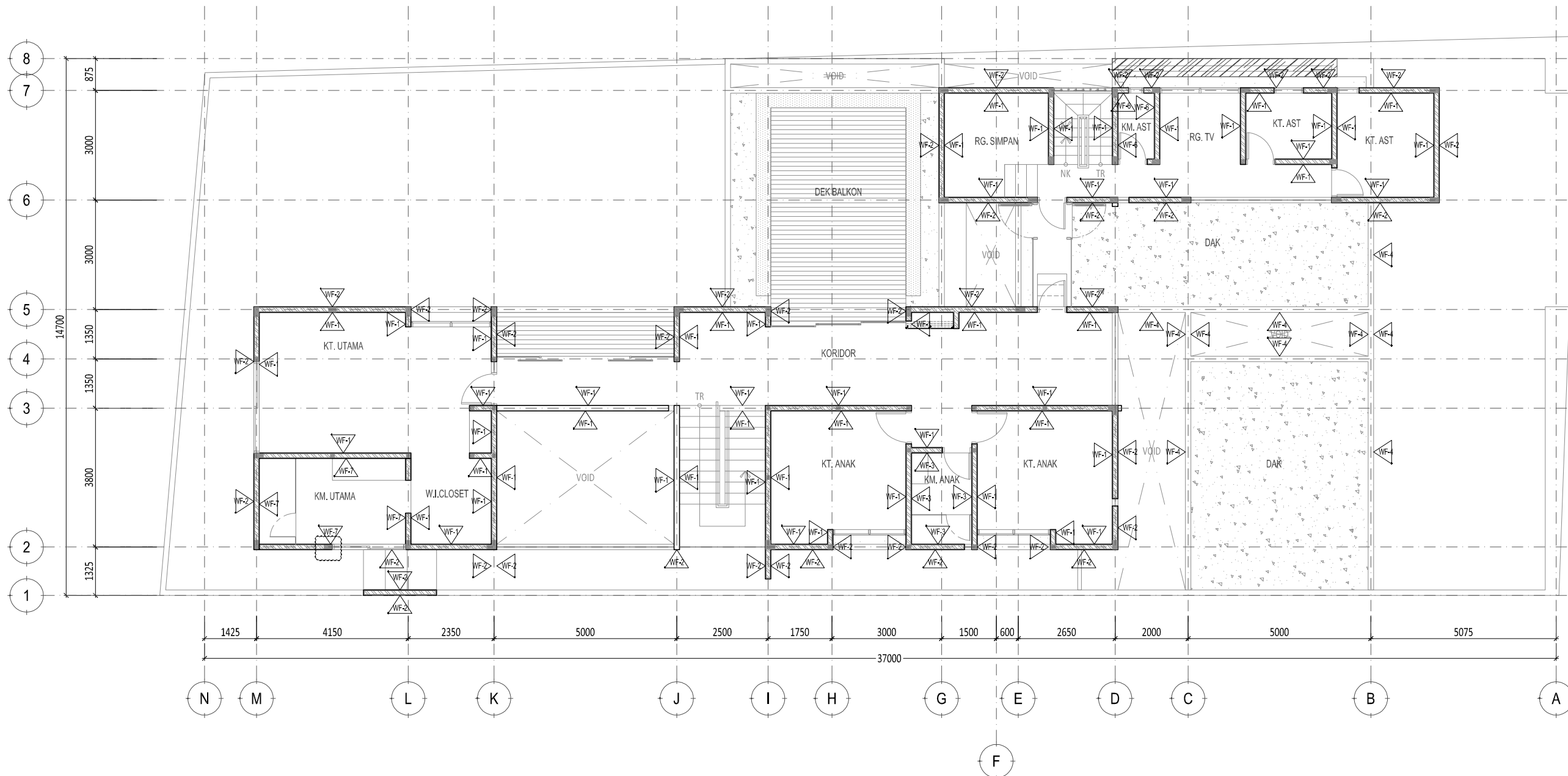
1 DENAH POLA LANTAI LANTAI 2
SCALE 1: 125 (A3)

Drawing Information : Drawn by : NR_Studio Project Architect : Studio Teras Structural Engineer : - ME Engineer : - Contractor : - COPYRIGHT NO PART OF THIS DOCUMENT MAY BE REPRODUCED, TRANSMITTED, OR RECORDED IN ANY FORM OF OTHERWISE WITHOUT PRIOR WRITTEN PERMISSION OF THE ARCHITECT/ENGINEERS.	Client :	Project : RUMAH SOLO	NO. DATE REVISED / ISSUE MARK	Legend : FF 01 : ANDESITE COBBLE STONE 10 X 10 CM TEBAL 5 CM FF 02 : KERIKIL TABUR OVAL DIAMETER 3-5CM FF 03 : GRANITE SILVER GREY 60 X 120 CM FF 04 : MARMER STATUARIO FF 05 : HOMOGENOUS TILE 300 X 600 FF EX. ROMAN FF 06 : PARQUET SOLID 12 X 90 CM FF 07 : DEK KAYU BANGKIRAI LEBAR 15CM TEBAL 2CM FF 08 : KERAMIK TILE 200 X 200 FF EX. ROMAN FF 09 : MOZAIK KUDA LAUT 5X5CM FF 10 : RUMPUT JEPANG FF 11 : KAYU MERBAU SOLID TEBAL 2CM	Drawing Title : DENAH POLA LANTAI LANTAI 2	Project No. -
			Status FOR CONSTRUCTION			
			NO. DATE REVISED / ISSUE MARK 01. 11-10-2017 DD 02. 03. 04. 05. 06. 06.			Date -
						Scale 1: 125 A3
						Drawing Number AR-01.003-02



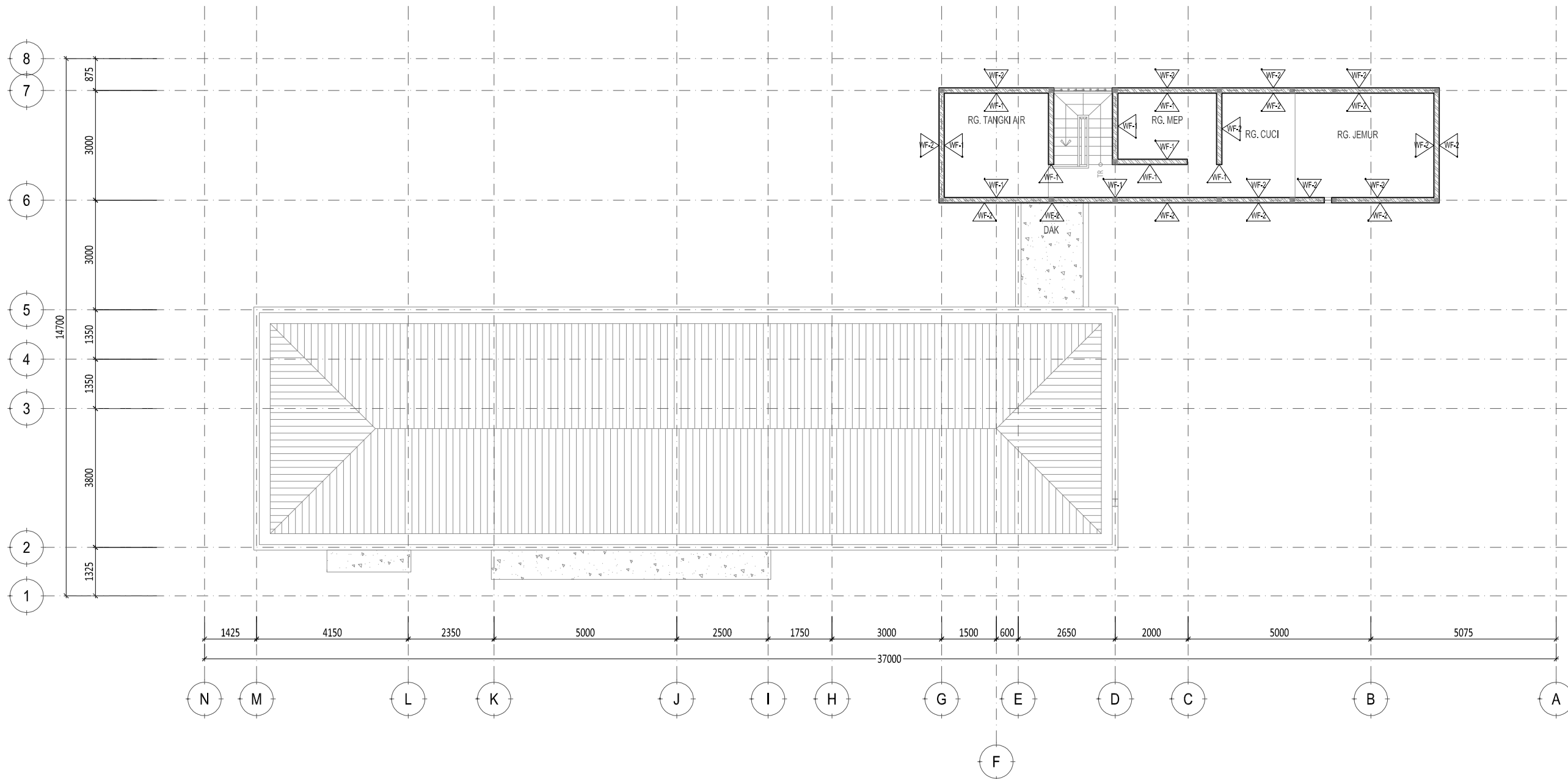
1 DENAH FINISHING DINDING LANTAI 1
SCALE 1 : 125 (A3)

Drawing Information : Drawn by : NR_Studio Project Architect : Studio Teras Structural Engineer : - ME Engineer : - Contractor : - COPYRIGHT NO PART OF THIS DOCUMENT MAY BE REPRODUCED, TRANSMITTED, OR RECORDED IN ANY FORM OF OTHERWISE WITHOUT PRIOR WRITTEN PERMISSION OF THE ARCHITECT/ENGINEERS.	Client : Project : RUMAH SOLO	NO. DATE REVISED / ISSUE MARK 01. 11-10-2017 DD 02. 03. 04. 05. 06. 06. 06.	Legend : WF-1 : CAT INTERIOR EX. DULUX WF-2 : CAT EXTERIOR EX. DULUX WF-3 : HT 30X60CM EX.ROMAN WF-4 : TRAVERTINE SILVER WF-5 : BATU CURU WF-6 : CERAMIC 20X20CM EX.ROMAN WF-7 : MARMER STATUARIO	Drawing Title : DENAH FINISHING DINDING LANTAI 1	Project No. : Status : FOR CONSTRUCTION Date : Scale : 1 : 125 A3 Drawing Number : AR-01.004-01
--	--	---	--	--	---



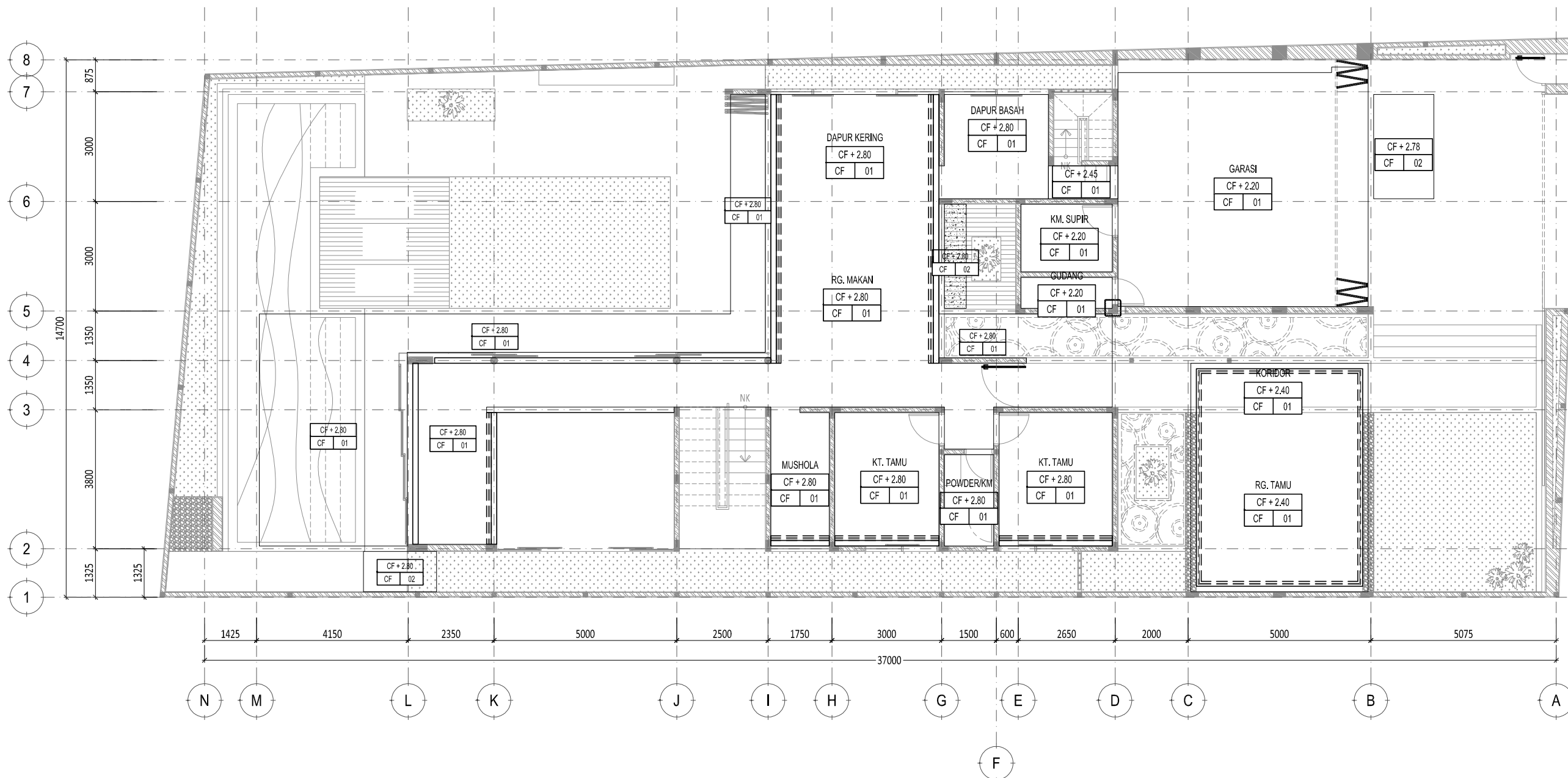
1 DENAH FINISHING DINDING LANTAI 2
SCALE 1: 125 (A3)

Drawing Information : Drawn by : NR_Studio Project Architect : Studio Teras Structural Engineer : - ME Engineer : - Contractor : - COPYRIGHT NO PART OF THIS DOCUMENT MAY BE REPRODUCED, TRANSMITTED, OR RECORDED IN ANY FORM OF OTHERWISE WITHOUT PRIOR WRITTEN PERMISSION OF THE ARCHITECT/ENGINEERS.	Client : Project : RUMAH SOLO	NO. DATE REVISED / ISSUE MARK 01. 11-10-2017 DD 02. 03. 04. 05. 06. 06. 06.	Legend : WF-1 : CAT INTERIOR EX. DULUX WF-2 : CAT EXTERIOR EX. DULUX WF-3 : HT 30X60CM EX.ROMAN WF-4 : TRAVERTINE SILVER WF-5 : BATU CURU WF-6 : CERAMIC 20X20CM EX.ROMAN WF-7 : MARMER STATUARIO	Drawing Title : DENAH FINISHING DINDING LANTAI 2	Project No. : - Status : FOR CONSTRUCTION Date : - Scale : 1:125 A3 Drawing Number : AR-01.004-02
--	--	---	--	--	---



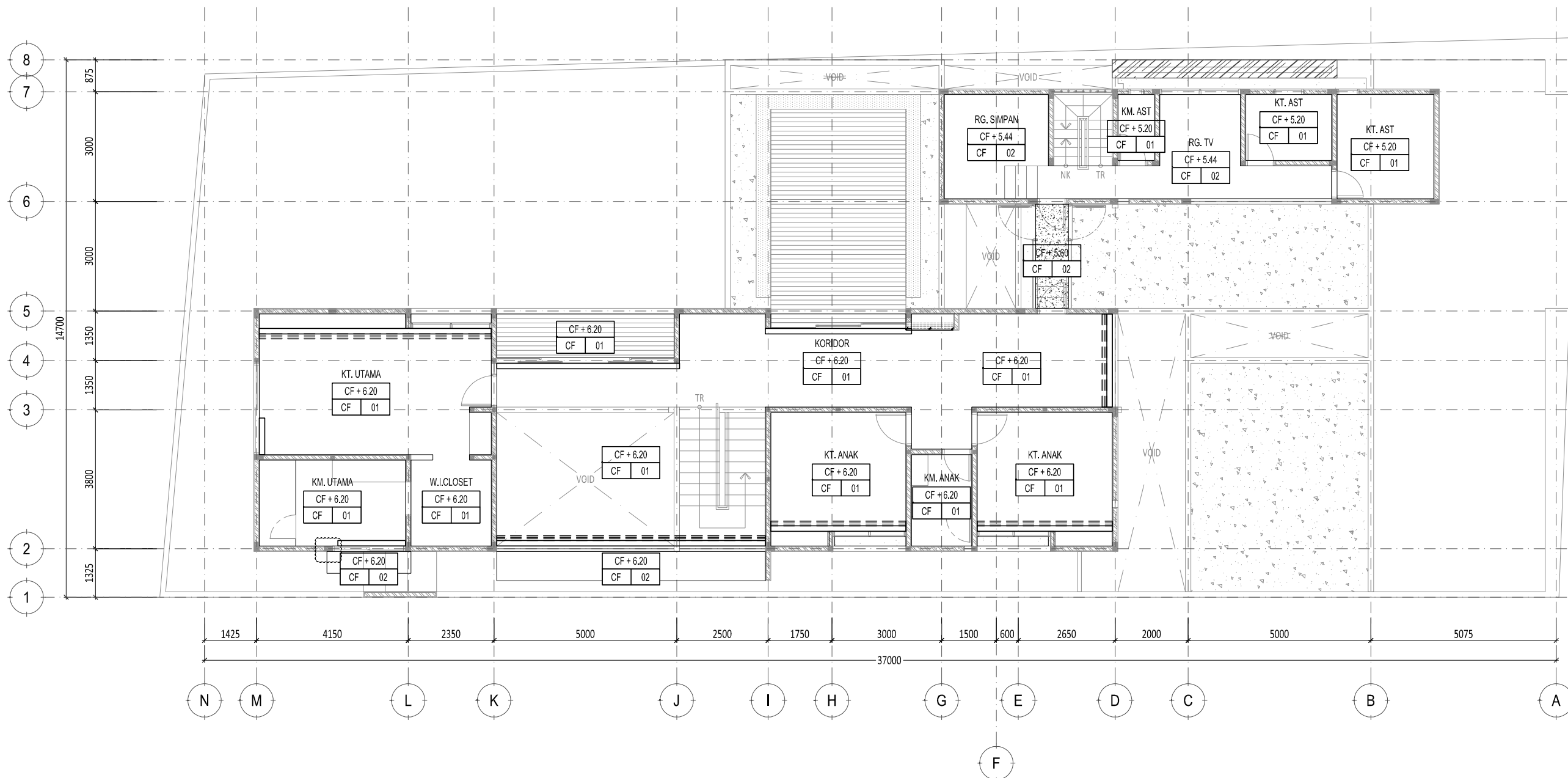
1 DENAH FINISHING DINDING LANTAI 3
SCALE 1: 125 (A3)

Drawing Information : Drawn by : NR_Studio Project Architect : Studio Teras Structural Engineer : - ME Engineer : - Contractor : - COPYRIGHT NO PART OF THIS DOCUMENT MAY BE REPRODUCED, TRANSMITTED, OR RECORDED IN ANY FORM OF OTHERWISE WITHOUT PRIOR WRITTEN PERMISSION OF THE ARCHITECT/ENGINEERS.	Client : Project : RUMAH SOLO	NO. DATE REVISED / ISSUE MARK 01. 11-10-2017 DD 02. 03. 04. 05. 06. 06. 06.	Legend : WF-1 : CAT INTERIOR EX. DULUX WF-2 : CAT EXTERIOR EX. DULUX WF-3 : HT 30X60CM EX.ROMAN WF-4 : TRAVERTINE SILVER WF-5 : BATU CURUJ WF-6 : CERAMIC 20X20CM EX.ROMAN WF-7 : MARMER STATUARIO	Drawing Title : DENAH FINISHING DINDING LANTAI 3	Project No. : - Status : FOR CONSTRUCTION Date : - Scale : 1:125 A3 Drawing Number : AR-01.004-03
--	--	---	---	--	---



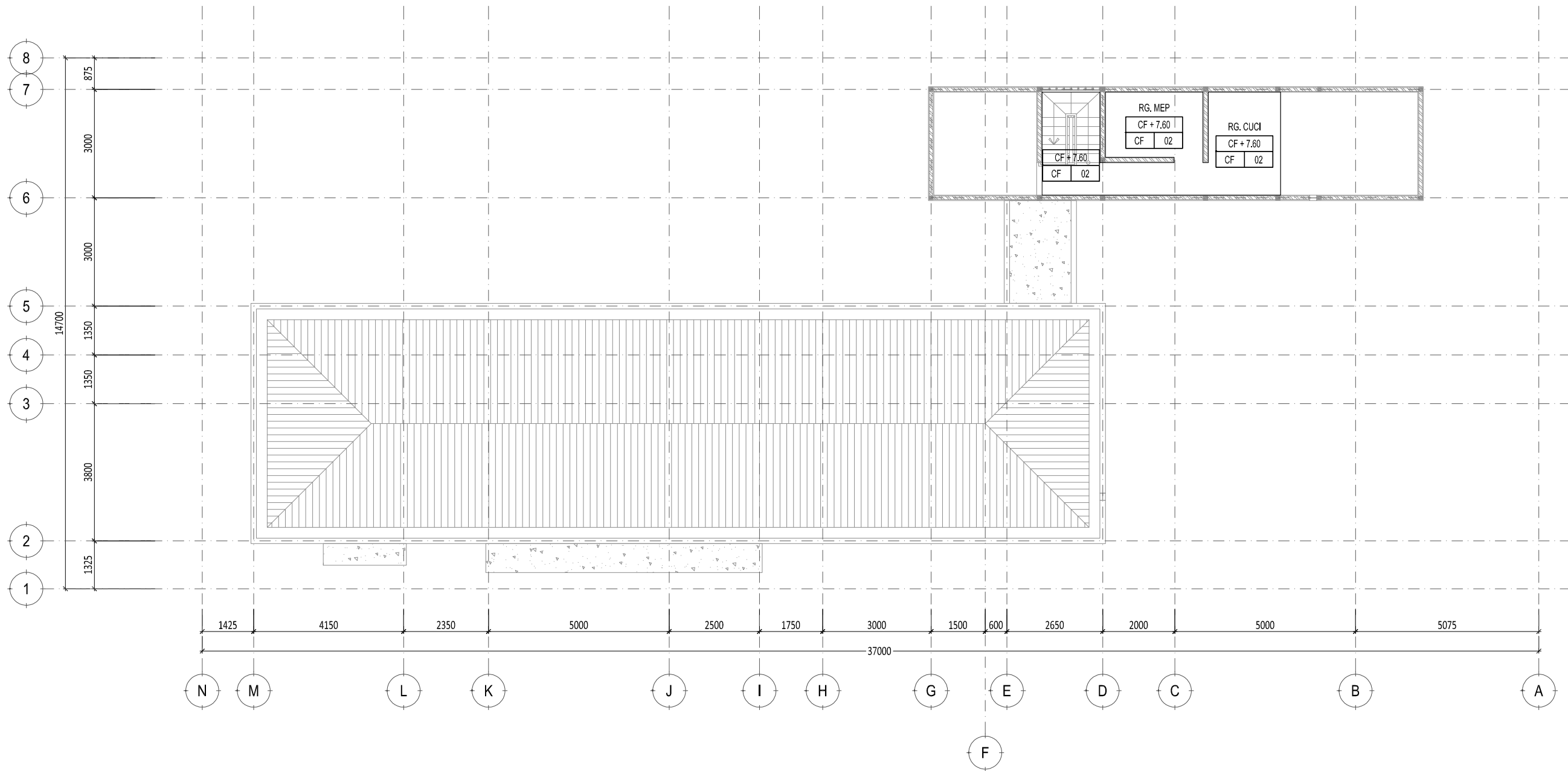
1 DENAH POLA PLAFOND LANTAI 1
SCALE 1: 125 (A3)

Drawing Information : Drawn by : NR_Studio Project Architect : Studio Teras Structural Engineer : - ME Engineer : - Contractor : - COPYRIGHT NO PART OF THIS DOCUMENT MAY BE REPRODUCED, TRANSMITTED, OR RECORDED IN ANY FORM OF OTHERWISE WITHOUT PRIOR WRITTEN PERMISSION OF THE ARCHITECT/ENGINEERS.	Client : Project : RUMAH SOLO	<table border="1"> <thead> <tr> <th>NO.</th> <th>DATE</th> <th>REVISED / ISSUE</th> <th>MARK</th> </tr> </thead> <tbody> <tr> <td>01.</td> <td>11-10-2017</td> <td>DD</td> <td></td> </tr> <tr> <td>02.</td> <td></td> <td></td> <td></td> </tr> <tr> <td>03.</td> <td></td> <td></td> <td></td> </tr> <tr> <td>04.</td> <td></td> <td></td> <td></td> </tr> <tr> <td>05.</td> <td></td> <td></td> <td></td> </tr> <tr> <td>06.</td> <td></td> <td></td> <td></td> </tr> <tr> <td>06.</td> <td></td> <td></td> <td></td> </tr> <tr> <td>06.</td> <td></td> <td></td> <td></td> </tr> </tbody> </table>	NO.	DATE	REVISED / ISSUE	MARK	01.	11-10-2017	DD		02.				03.				04.				05.				06.				06.				06.				Legend : <table border="1"> <tr> <td>CF 01</td> <td>: GYPSUM FIN. PAINT</td> </tr> <tr> <td>CF 02</td> <td>: CONCRETE FIN. PAINT</td> </tr> </table>	CF 01	: GYPSUM FIN. PAINT	CF 02	: CONCRETE FIN. PAINT	Drawing Title : DENAH POLA PLAFOND LANTAI 1	Project No. : -
			NO.	DATE	REVISED / ISSUE	MARK																																							
01.	11-10-2017	DD																																											
02.																																													
03.																																													
04.																																													
05.																																													
06.																																													
06.																																													
06.																																													
CF 01	: GYPSUM FIN. PAINT																																												
CF 02	: CONCRETE FIN. PAINT																																												
Status : FOR CONSTRUCTION																																													
Date : -																																													
Scale : 1: 125 A3																																													
Drawing Number																																													
AR-01.005-01																																													



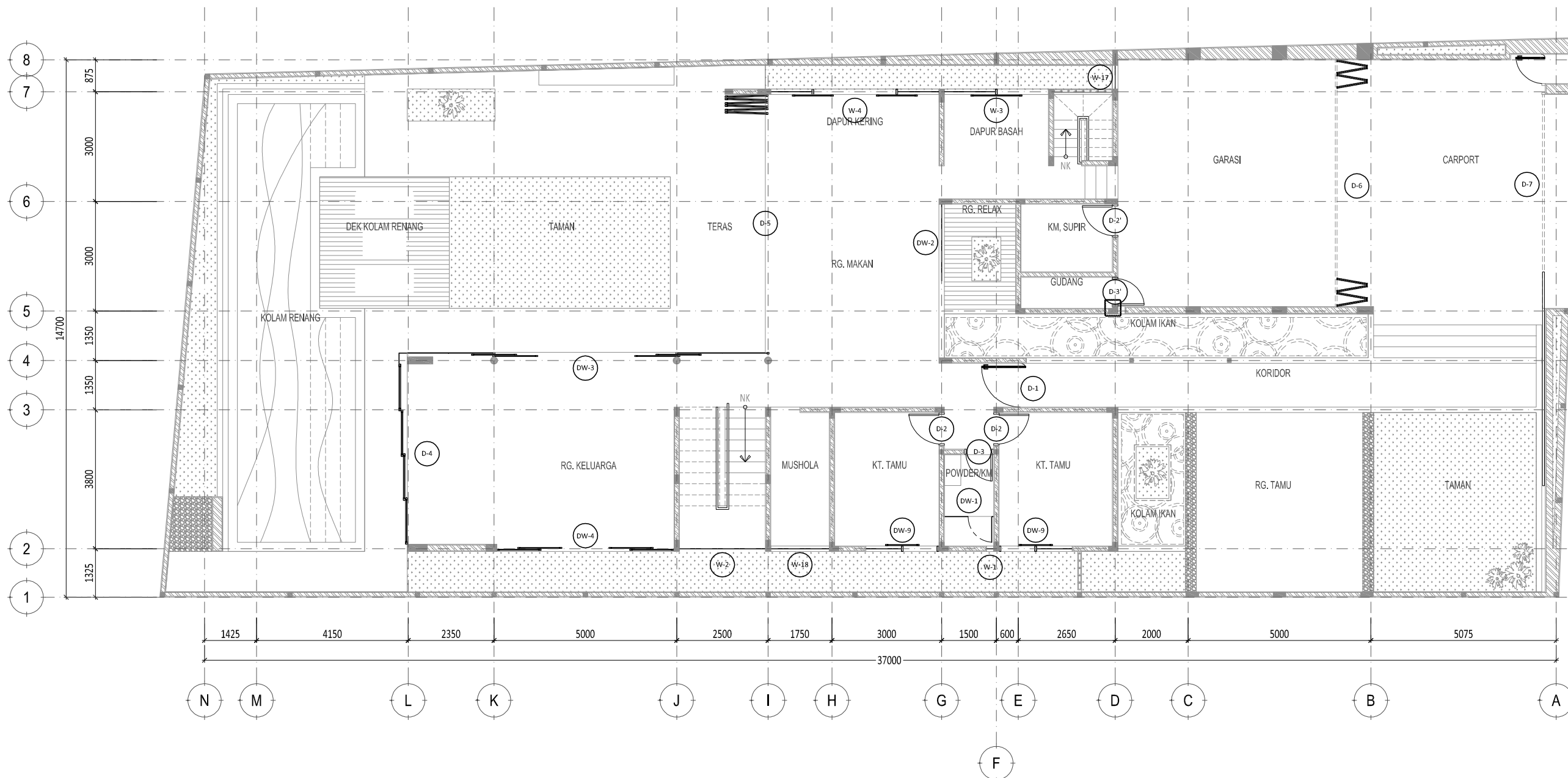
1 DENAH POLA PLAFOND LANTAI 2
SCALE 1: 125 (A3)

Drawing Information : Drawn by : NR_Studio Project Architect : Studio Teras Structural Engineer : - ME Engineer : - Contractor : - COPYRIGHT NO PART OF THIS DOCUMENT MAY BE REPRODUCED, TRANSMITTED, OR RECORDED IN ANY FORM OF OTHERWISE WITHOUT PRIOR WRITTEN PERMISSION OF THE ARCHITECT/ENGINEERS.	Client :	Project : RUMAH SOLO	NO. DATE REVISED / ISSUE MARK	Legend : CF 01 : GYPSUM FIN. PAINT CF 02 : CONCRETE FIN. PAINT	Drawing Title : DENAH POLA PLAFOND LANTAI 2	Project No. -																											
			<table border="1"> <tr><td>01.</td><td>11-10-2017</td><td>DD</td><td></td></tr> <tr><td>02.</td><td></td><td></td><td></td></tr> <tr><td>03.</td><td></td><td></td><td></td></tr> <tr><td>04.</td><td></td><td></td><td></td></tr> <tr><td>05.</td><td></td><td></td><td></td></tr> <tr><td>06.</td><td></td><td></td><td></td></tr> <tr><td>06.</td><td></td><td></td><td></td></tr> <tr><td>06.</td><td></td><td></td><td></td></tr> </table>			01.	11-10-2017	DD		02.				03.				04.				05.				06.				06.			
01.	11-10-2017	DD																															
02.																																	
03.																																	
04.																																	
05.																																	
06.																																	
06.																																	
06.																																	



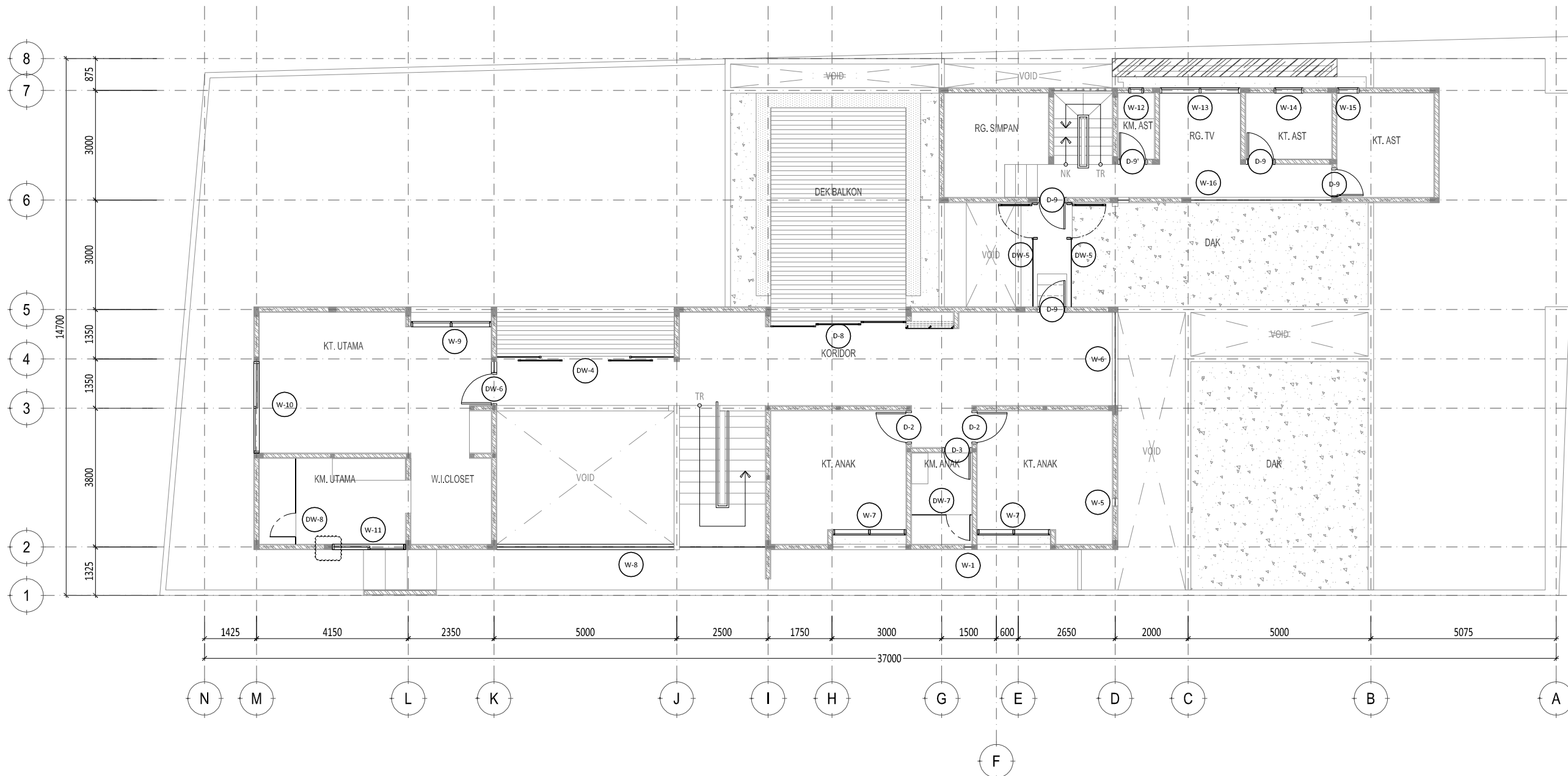
1 DENAH POLA PLAFOND LANTAI 3
SCALE 1: 125 (A3)

Drawing Information : Drawn by : NR_Studio Project Architect : Studio Teras Structural Engineer : - ME Engineer : - Contractor : - COPYRIGHT NO PART OF THIS DOCUMENT MAY BE REPRODUCED, TRANSMITTED, OR RECORDED IN ANY FORM OF OTHERWISE WITHOUT PRIOR WRITTEN PERMISSION OF THE ARCHITECT/ENGINEERS.	Client :	Project : RUMAH SOLO	NO. DATE REVISED / ISSUE MARK	Legend : CF 01 : GYPSUM FIN. PAINT CF 02 : CONCRETE FIN. PAINT	Drawing Title : DENAH POLA PLAFOND LANTAI 3	Project No. -																											
			<table border="1"> <tr><td>01.</td><td>11-10-2017</td><td>DD</td><td></td></tr> <tr><td>02.</td><td></td><td></td><td></td></tr> <tr><td>03.</td><td></td><td></td><td></td></tr> <tr><td>04.</td><td></td><td></td><td></td></tr> <tr><td>05.</td><td></td><td></td><td></td></tr> <tr><td>06.</td><td></td><td></td><td></td></tr> <tr><td>06.</td><td></td><td></td><td></td></tr> <tr><td>06.</td><td></td><td></td><td></td></tr> </table>			01.	11-10-2017	DD		02.				03.				04.				05.				06.				06.			
01.	11-10-2017	DD																															
02.																																	
03.																																	
04.																																	
05.																																	
06.																																	
06.																																	
06.																																	



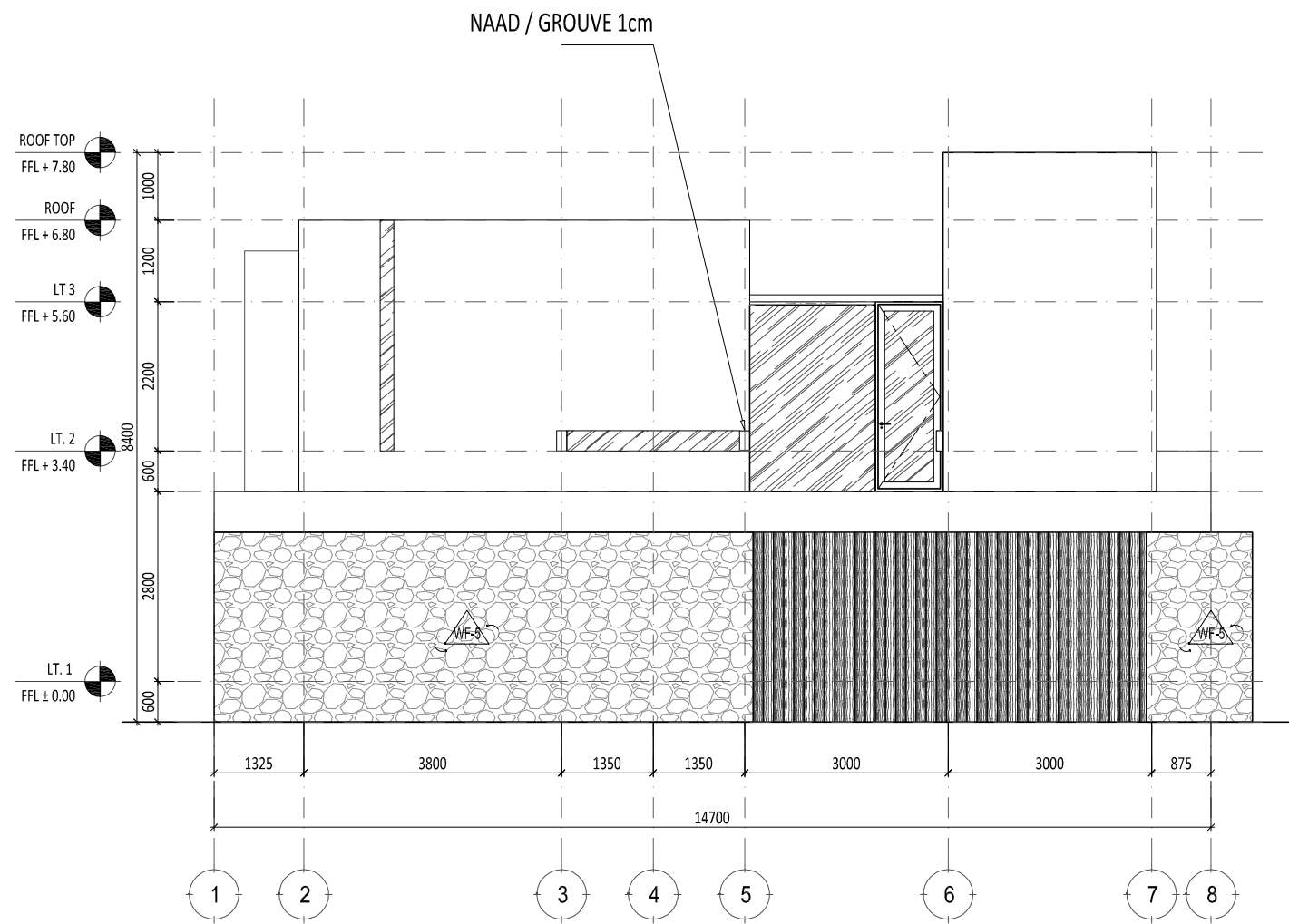
1 DENAH RENCANA KUSEN LANTAI 1
SCALE 1: 125 (A3)

Drawing Information : Drawn by : NR_Studio Project Architect : Studio Teras Structural Engineer : - ME Engineer : - Contractor : - COPYRIGHT NO PART OF THIS DOCUMENT MAY BE REPRODUCED, TRANSMITTED, OR RECORDED IN ANY FORM OF OTHERWISE WITHOUT PRIOR WRITTEN PERMISSION OF THE ARCHITECT/ENGINEERS.	Client :	Project : <p style="text-align: center;">RUMAH SOLO</p>	NO. DATE REVISED / ISSUE MARK Legend :	Drawing Title : <p style="text-align: center;">DENAH RENCANA KUSEN LANTAI 1</p>	Project No. -																												
			<table border="1"> <tr><td>01.</td><td>11-10-2017</td><td>DD</td><td></td></tr> <tr><td>02.</td><td></td><td></td><td></td></tr> <tr><td>03.</td><td></td><td></td><td></td></tr> <tr><td>04.</td><td></td><td></td><td></td></tr> <tr><td>05.</td><td></td><td></td><td></td></tr> <tr><td>06.</td><td></td><td></td><td></td></tr> <tr><td>06.</td><td></td><td></td><td></td></tr> <tr><td>06.</td><td></td><td></td><td></td></tr> </table>		01.	11-10-2017	DD		02.				03.				04.				05.				06.				06.				06.
01.	11-10-2017	DD																															
02.																																	
03.																																	
04.																																	
05.																																	
06.																																	
06.																																	
06.																																	



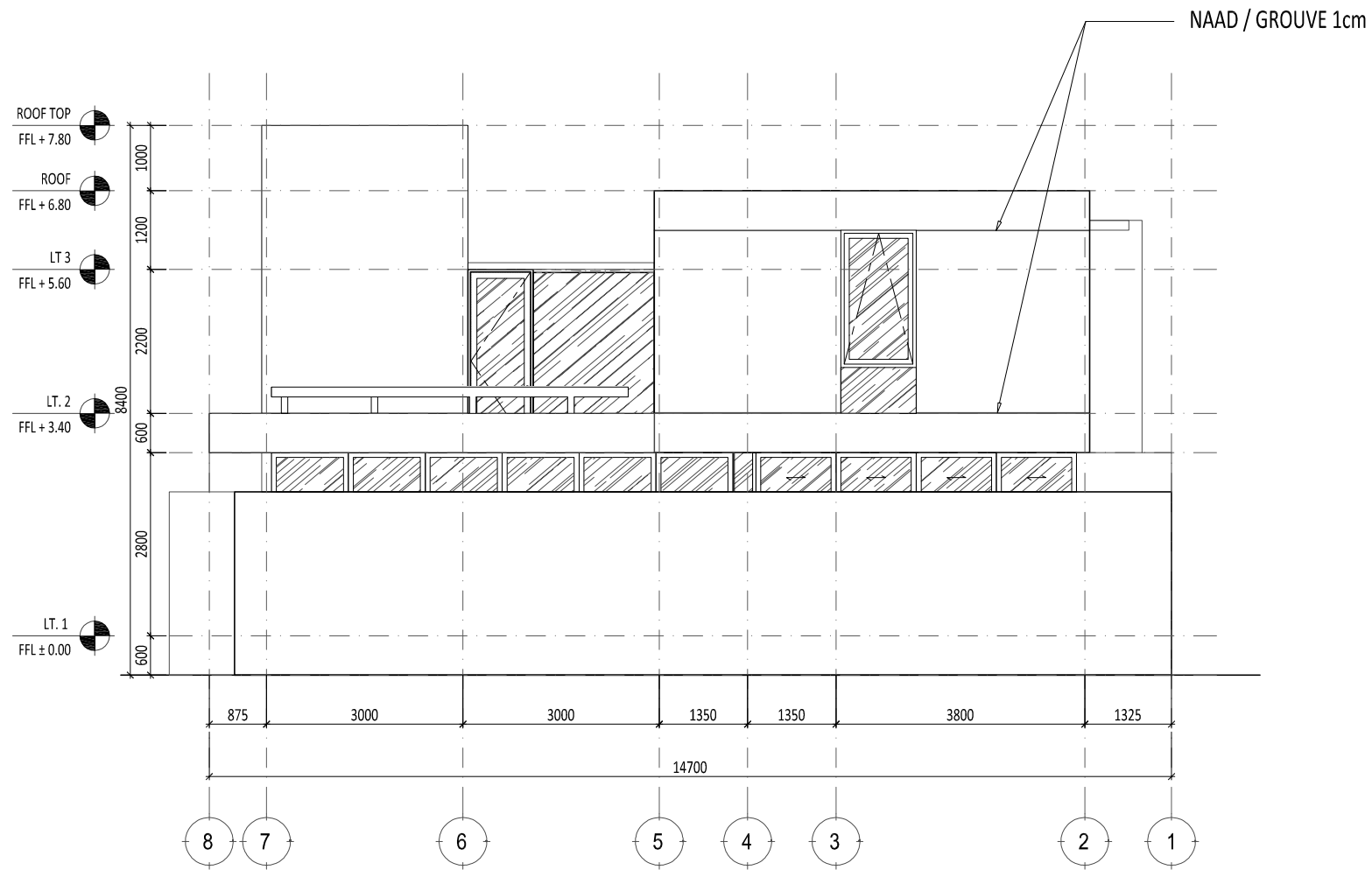
1 DENAH RENCANA KUSEN LANTAI 2
SCALE 1: 125 (A3)

Drawing Information : Drawn by : NR_Studio Project Architect : Studio Teras Structural Engineer : - ME Engineer : - Contractor : - COPYRIGHT NO PART OF THIS DOCUMENT MAY BE REPRODUCED, TRANSMITTED, OR RECORDED IN ANY FORM OF OTHERWISE WITHOUT PRIOR WRITTEN PERMISSION OF THE ARCHITECT/ENGINEERS.	Client : Project : RUMAH SOLO	NO. DATE REVISED / ISSUE MARK Legend :	Drawing Title : DENAH RENCANA KUSEN LANTAI 2	Project No. -
		01. 11-10-2017 DD		Status FOR CONSTRUCTION
		02.		Date -
		03.		Scale 1: 125 A3
		04.		Drawing Number
		05.		AR-01.006-02



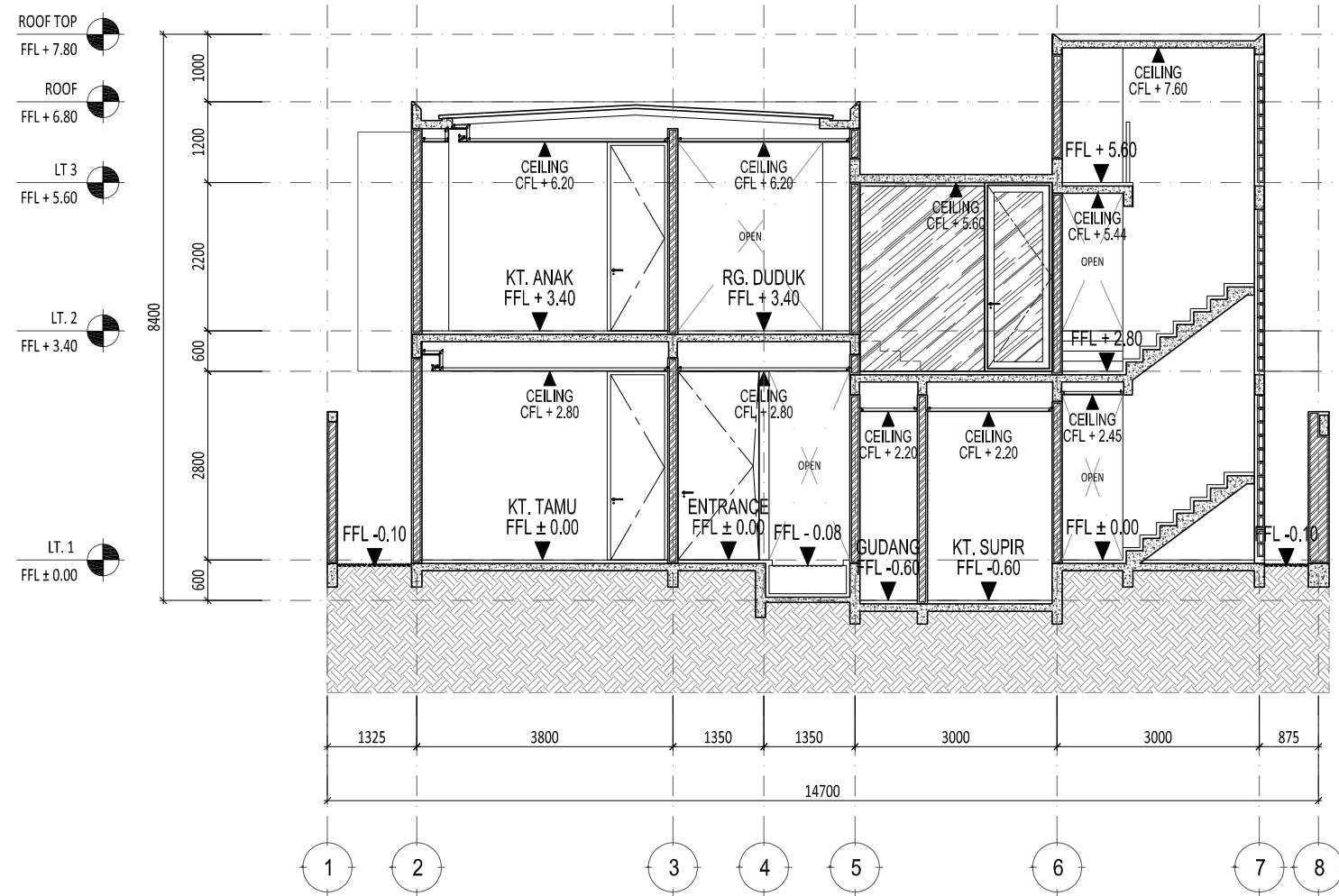
1 TAMPAK DEPAN
SCALE 1: 100 (A3)

Drawing Information :	Client :	Project :	NO.	DATE	REVISED / ISSUE	MARK	Legend :	Drawing Title :	Project No.	-
									Status	FOR CONSTRUCTION
Drawn by : NR_Studio	RUMAH SOLO		01.	11-10-2017	DD			TAMPAK DEPAN	Date	-
Project Architect : Studio Teras			02.						Scale	1 : 100
Structural Engineer : -			03.						Drawing Number	
ME Engineer : -			04.						AR-02.001.01	
Contractor : -			05.							
COPYRIGHT			06.							
NO PART OF THIS DOCUMENT MAY BE REPRODUCED, TRANSMITTED, OR RECORDED IN ANY FORM OF OTHERWISE WITHOUT PRIOR WRITTEN PERMISSION OF THE ARCHITECT/ENGINEERS.			06.							



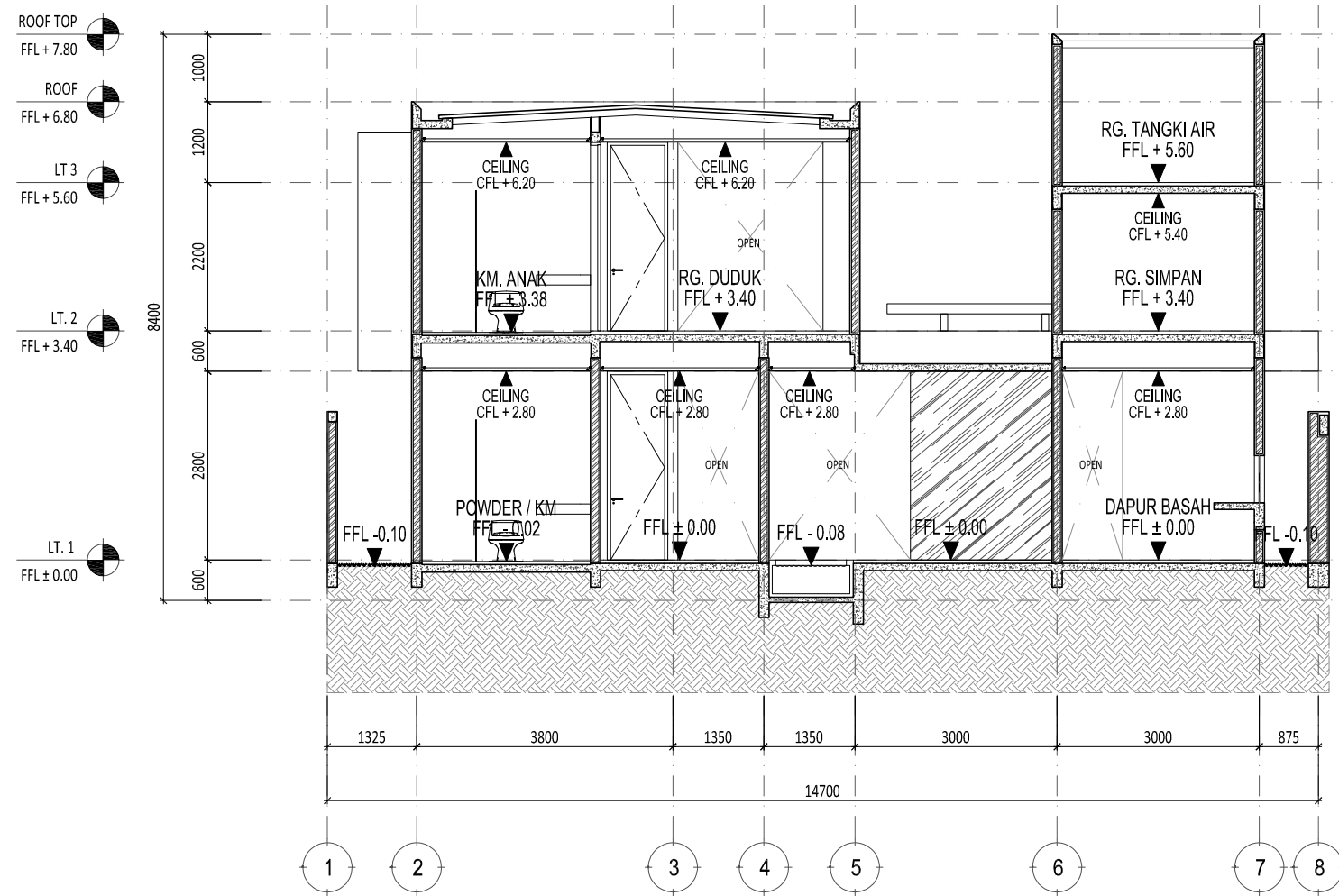
1 TAMPAK BELAKANG
SCALE 1: 100 (A3)

Drawing Information :	Client :	Project :	NO.	DATE	REVISED / ISSUE	MARK	Legend :	Drawing Title :	Project No.	-
									Status	FOR CONSTRUCTION
Drawn by : NR_Studio	RUMAH SOLO		01.	11-10-2017	DD			TAMPAK BELAKANG	Date	-
Project Architect : Studio Teras			02.						Scale	1 : 100
Structural Engineer : -			03.						Drawing Number	
ME Engineer : -			04.						AR-02.001.02	
Contractor : -			05.							
COPYRIGHT			06.							
NO PART OF THIS DOCUMENT MAY BE REPRODUCED, TRANSMITTED, OR RECORDED IN ANY FORM OF OTHERWISE WITHOUT PRIOR WRITTEN PERMISSION OF THE ARCHITECT/ENGINEERS.			06.							



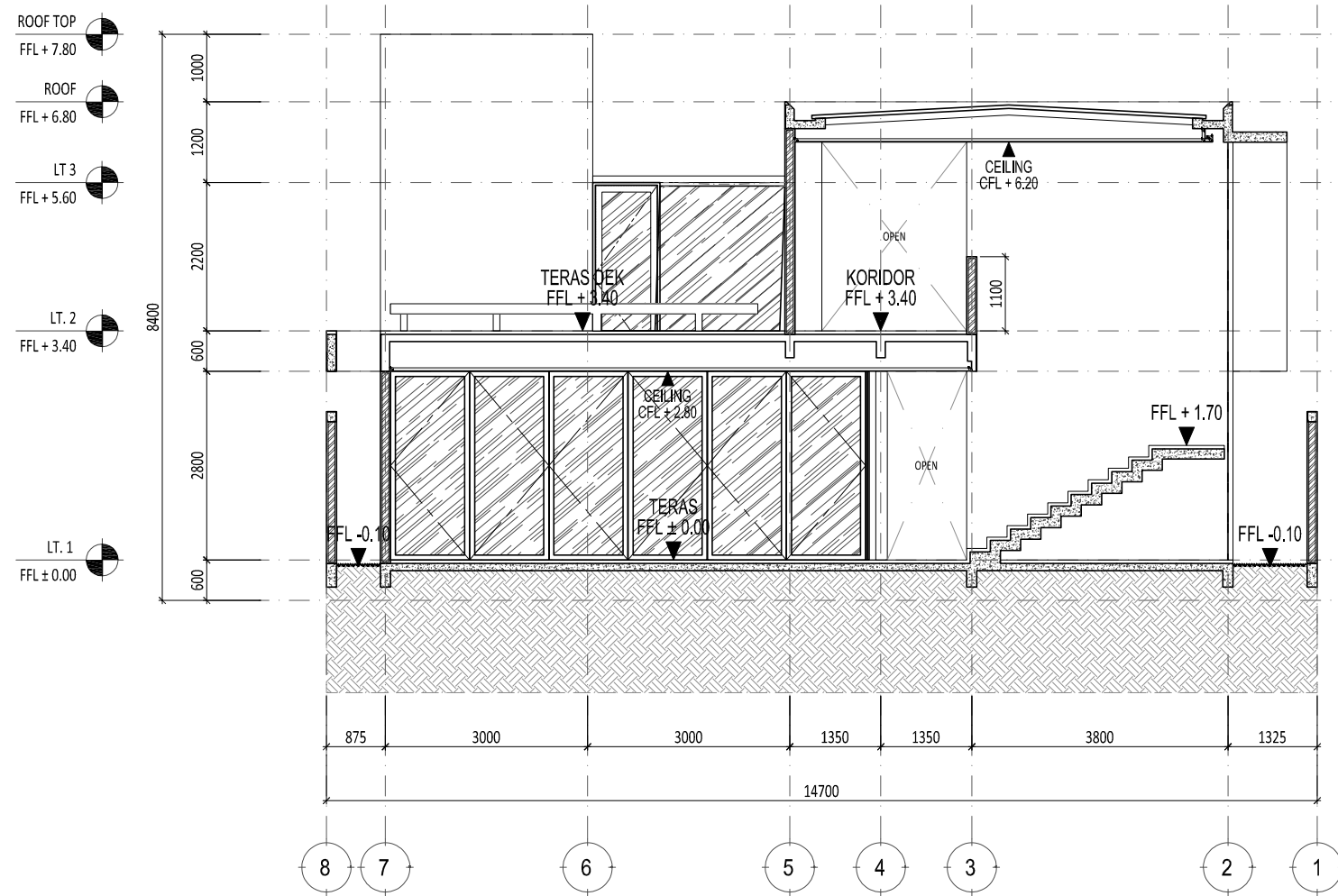
1 POTONGAN 2
SCALE 1: 100 (A3)

Drawing Information : Drawn by : NR_Studio Project Architect : Studio Teras Structural Engineer : - ME Engineer : - Contractor : - COPYRIGHT NO PART OF THIS DOCUMENT MAY BE REPRODUCED, TRANSMITTED, OR RECORDED IN ANY FORM OF OTHERWISE WITHOUT PRIOR WRITTEN PERMISSION OF THE ARCHITECT/ENGINEERS.	Client :	Project :	NO. DATE REVISED / ISSUE MARK 01. 11-10-2017 DD 02. 03. 04. 05. 06. 06. 06.	Legend :	Drawing Title :	Project No. :	-
						Status :	FOR CONSTRUCTION
						Date :	-
						Scale :	1 : 100 A3
						Drawing Number	
						AR-03.001-02	



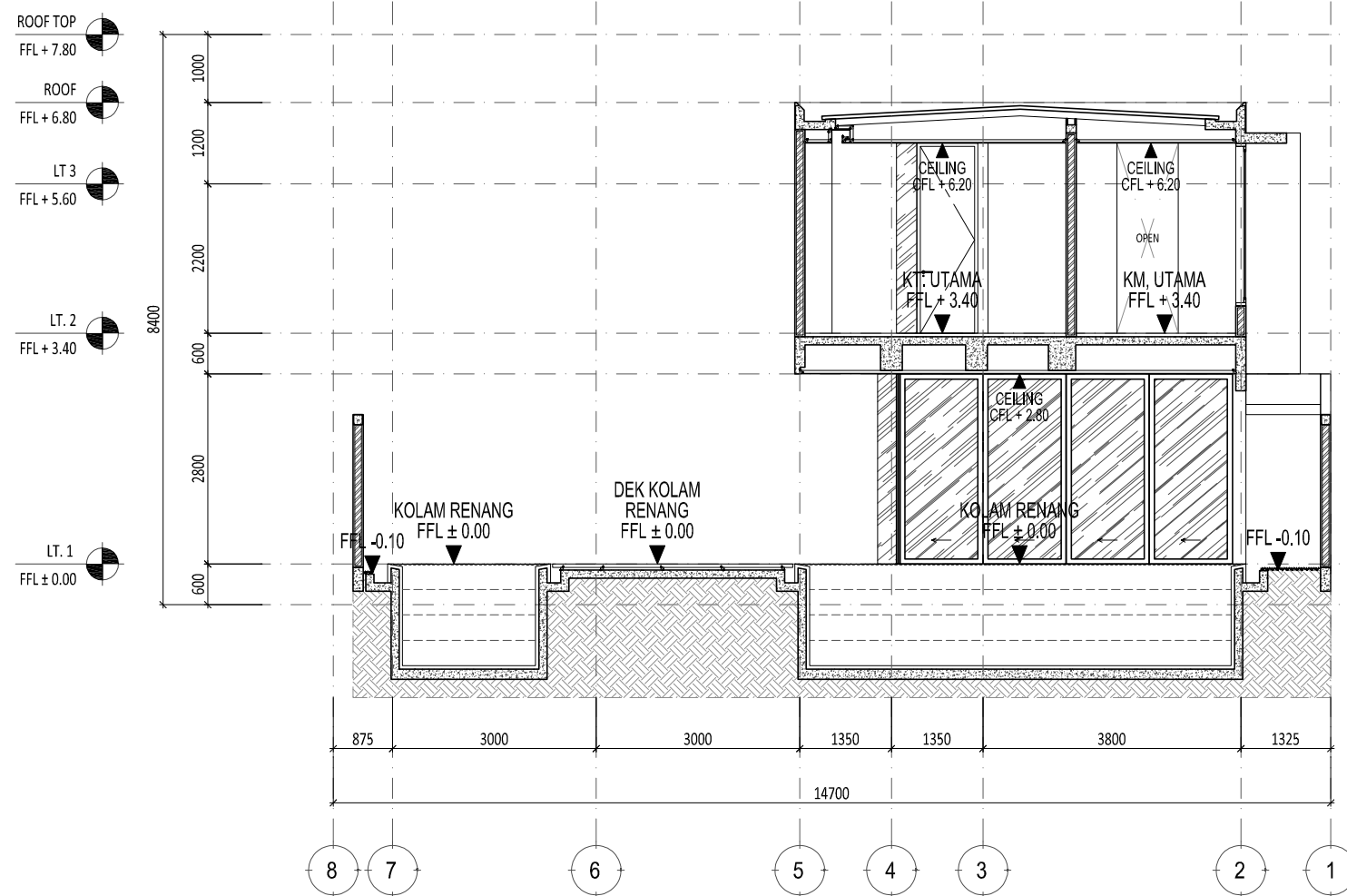
1 POTONGAN 3
SCALE 1: 100 (A3)

Drawing Information : Drawn by : NR_Studio Project Architect : Studio Teras Structural Engineer : - ME Engineer : - Contractor : - COPYRIGHT NO PART OF THIS DOCUMENT MAY BE REPRODUCED, TRANSMITTED, OR RECORDED IN ANY FORM OF OTHERWISE WITHOUT PRIOR WRITTEN PERMISSION OF THE ARCHITECT/ENGINEERS.	Client :	Project : RUMAH SOLO	NO. DATE REVISED / ISSUE MARK Legend :	Drawing Title : POTONGAN 3	Project No. -																												
			<table border="1"> <tr><td>01.</td><td>11-10-2017</td><td>DD</td><td></td></tr> <tr><td>02.</td><td></td><td></td><td></td></tr> <tr><td>03.</td><td></td><td></td><td></td></tr> <tr><td>04.</td><td></td><td></td><td></td></tr> <tr><td>05.</td><td></td><td></td><td></td></tr> <tr><td>06.</td><td></td><td></td><td></td></tr> <tr><td>06.</td><td></td><td></td><td></td></tr> <tr><td>06.</td><td></td><td></td><td></td></tr> </table>		01.	11-10-2017	DD		02.				03.				04.				05.				06.				06.				06.
01.	11-10-2017	DD																															
02.																																	
03.																																	
04.																																	
05.																																	
06.																																	
06.																																	
06.																																	
Drawing Number AR-03.001-03																																	



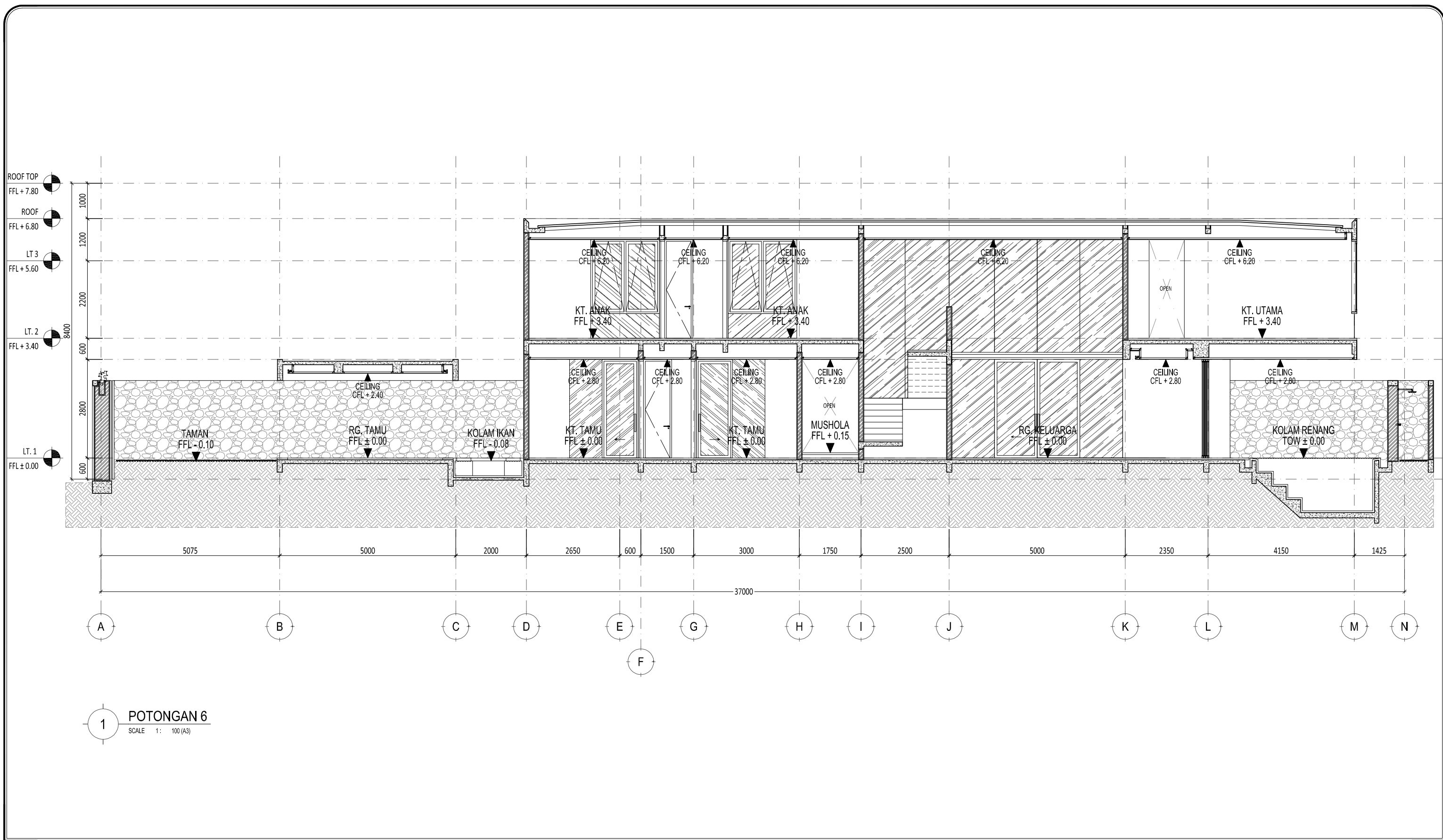
1 POTONGAN 4
SCALE 1: 100 (A3)

Drawing Information : Drawn by : NR_Studio Project Architect : Studio Teras Structural Engineer : - ME Engineer : - Contractor : - COPYRIGHT NO PART OF THIS DOCUMENT MAY BE REPRODUCED, TRANSMITTED, OR RECORDED IN ANY FORM OF OTHERWISE WITHOUT PRIOR WRITTEN PERMISSION OF THE ARCHITECT/ENGINEERS.	Client :	Project : <p style="text-align: center;">RUMAH SOLO</p>	NO. 01.	DATE 11-10-2017	REVISED / ISSUE DD	MARK	Legend :	Drawing Title : <p style="text-align: center;">POTONGAN 4</p>	Project No. -	Status FOR CONSTRUCTION	Date -	Scale 1 : 100 A3
			NO. 02. 03. 04. 05. 06. 06. 06.	NO. 06. 06. 06.	Drawing Number <p style="text-align: center;">AR-03.001-04</p>							



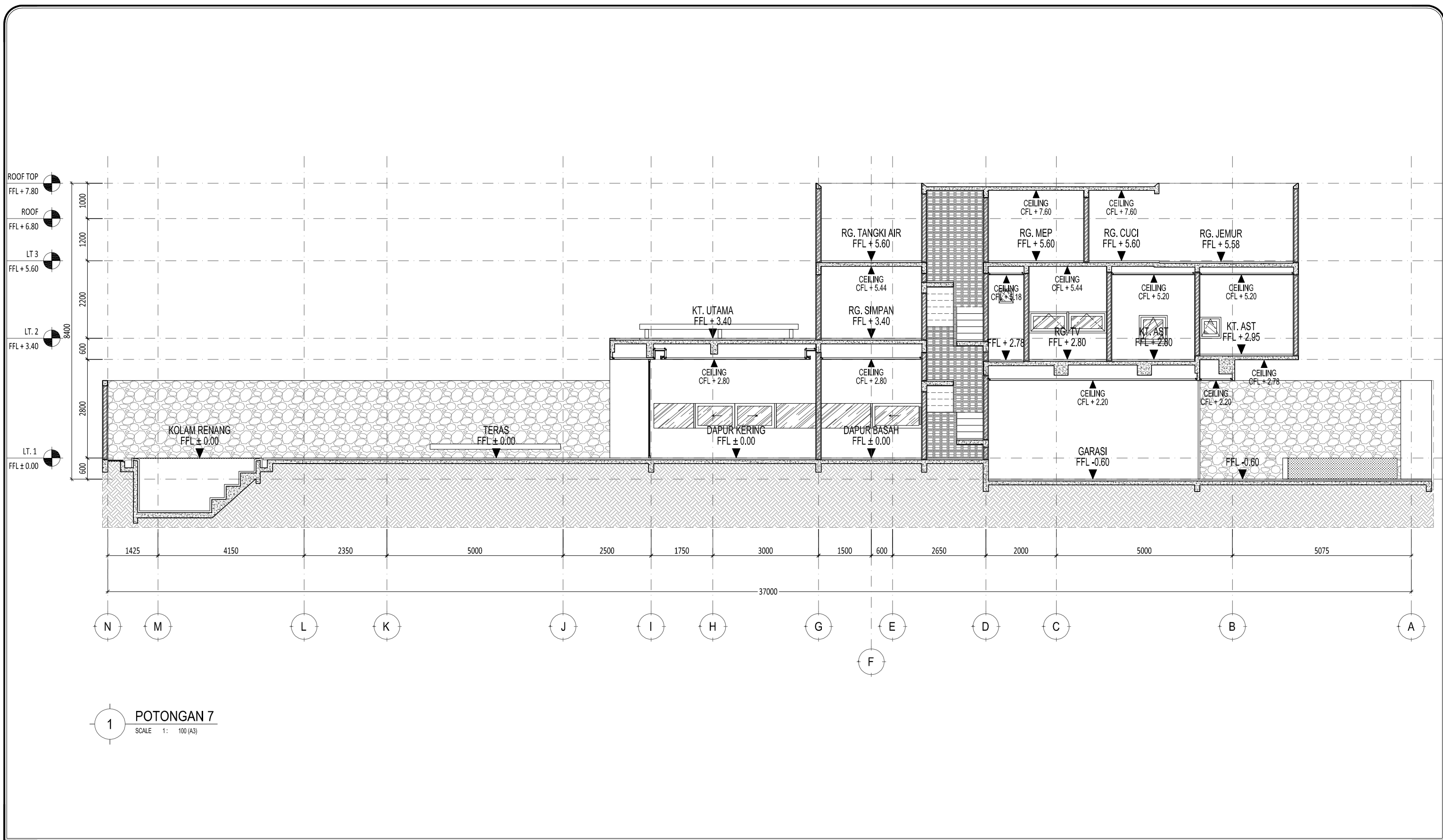
1 POTONGAN 5
 SCALE 1: 100 (A3)

Drawing Information : Drawn by : NR_Studio Project Architect : Studio Teras Structural Engineer : - ME Engineer : - Contractor : - COPYRIGHT NO PART OF THIS DOCUMENT MAY BE REPRODUCED, TRANSMITTED, OR RECORDED IN ANY FORM OF OTHERWISE WITHOUT PRIOR WRITTEN PERMISSION OF THE ARCHITECT/ENGINEERS.	Client :	Project : RUMAH SOLO	NO. DATE REVISED / ISSUE MARK Legend :	Drawing Title : POTONGAN 5	Project No. -
			01. 11-10-2017 DD 02. 03. 04. 05. 06. 06. 06.		Status FOR CONSTRUCTION Date - Scale 1 : 100 A3
Drawing Number AR-03.001-05					



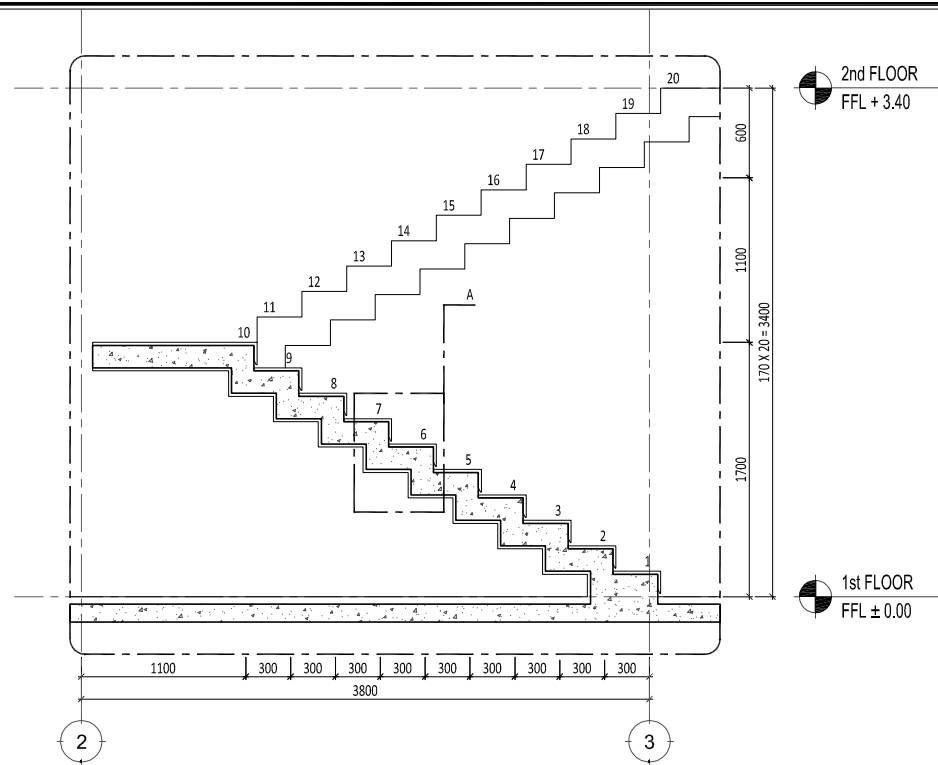
1 POTONGAN 6
SCALE 1: 100 (A3)

Drawing Information : Drawn by : NR_Studio Project Architect : Studio Teras Structural Engineer : - ME Engineer : - Contractor : - COPYRIGHT NO PART OF THIS DOCUMENT MAY BE REPRODUCED, TRANSMITTED, OR RECORDED IN ANY FORM OF OTHERWISE WITHOUT PRIOR WRITTEN PERMISSION OF THE ARCHITECT/ENGINEERS.	Client :	Project : RUMAH SOLO	NO. DATE REVISED / ISSUE MARK Legend :	Drawing Title : POTONGAN 6	Project No. -																												
			<table border="1"> <tr><td>01.</td><td>11-10-2017</td><td>DD</td><td></td></tr> <tr><td>02.</td><td></td><td></td><td></td></tr> <tr><td>03.</td><td></td><td></td><td></td></tr> <tr><td>04.</td><td></td><td></td><td></td></tr> <tr><td>05.</td><td></td><td></td><td></td></tr> <tr><td>06.</td><td></td><td></td><td></td></tr> <tr><td>06.</td><td></td><td></td><td></td></tr> <tr><td>06.</td><td></td><td></td><td></td></tr> </table>		01.	11-10-2017	DD		02.				03.				04.				05.				06.				06.				06.
01.	11-10-2017	DD																															
02.																																	
03.																																	
04.																																	
05.																																	
06.																																	
06.																																	
06.																																	

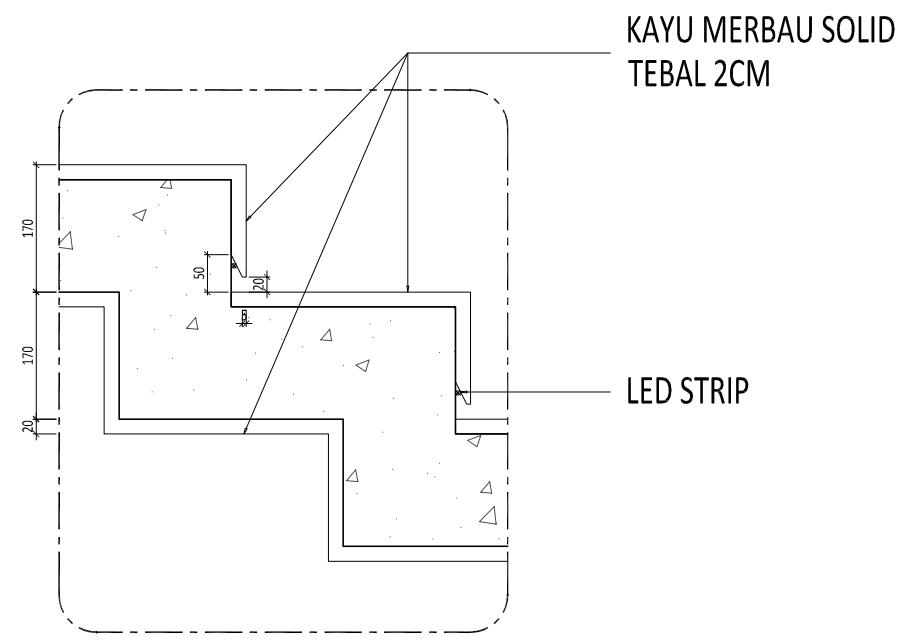


1 POTONGAN 7
SCALE 1: 100 (A3)

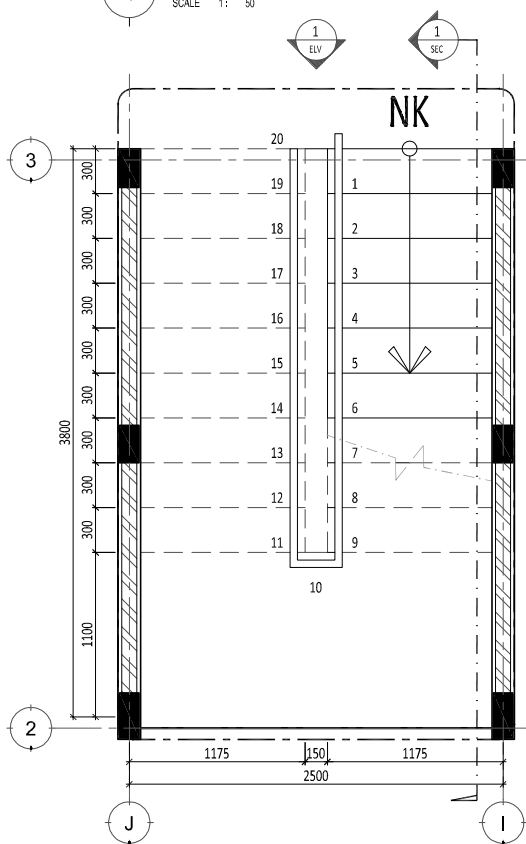
Drawing Information : Drawn by : NR_Studio Project Architect : Studio Teras Structural Engineer : - ME Engineer : - Contractor : - COPYRIGHT NO PART OF THIS DOCUMENT MAY BE REPRODUCED, TRANSMITTED, OR RECORDED IN ANY FORM OF OTHERWISE WITHOUT PRIOR WRITTEN PERMISSION OF THE ARCHITECT/ENGINEERS.	Client : Project : RUMAH SOLO	NO.	DATE	REVISED / ISSUE	MARK	Legend : 	Drawing Title : POTONGAN 7	Project No.	-
		01.	11-10-2017	DD				Status	FOR CONSTRUCTION
		02.						Date	-
		03.						Scale	1 : 100 A3
		04.						Drawing Number	
		05.						AR-03.001-07	



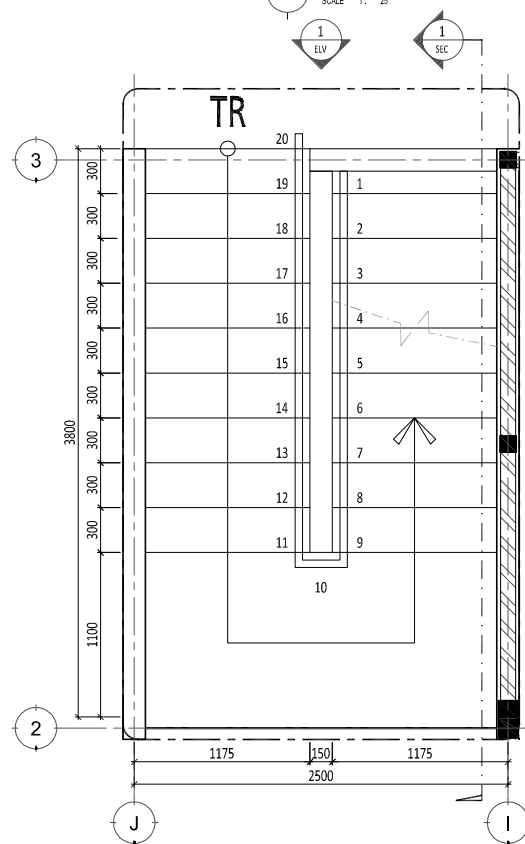
4 POTONGAN 1
SCALE 1: 50



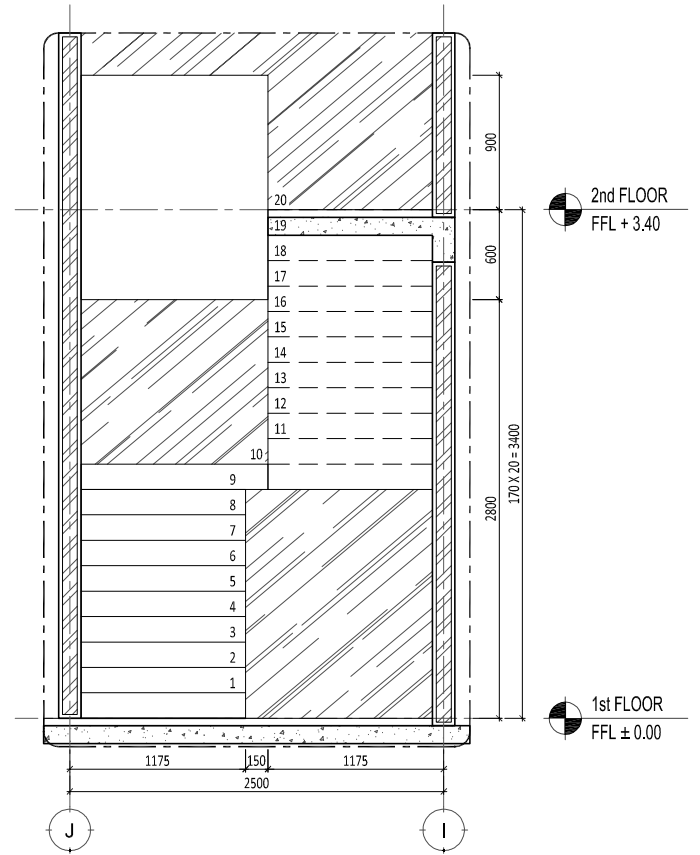
5 DETAIL A
SCALE 1: 25



1 DENAH TANGGA UTAMA LT. 1
SCALE 1: 50



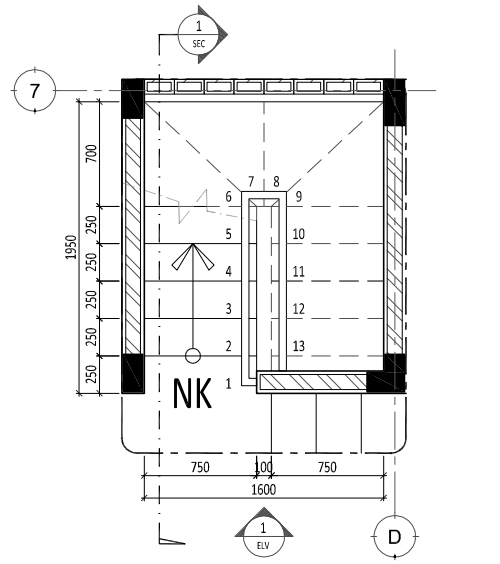
2 DENAH TANGGA UTAMA LT. 2
SCALE 1: 50



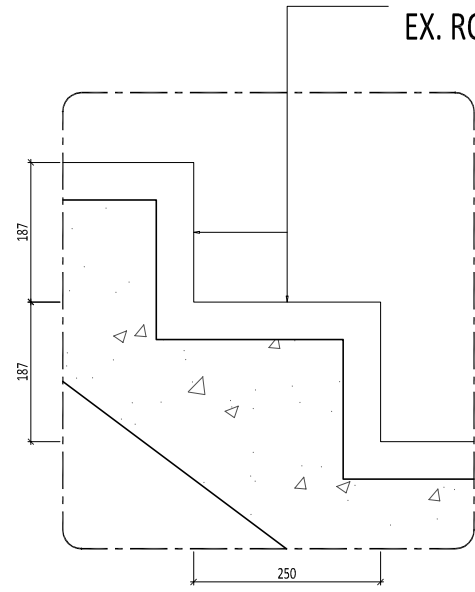
3 TAMPAK 1
SCALE 1: 50

Drawing Information : Drawn by : NR_Studio Project Architect : Studio Teras Structural Engineer : - ME Engineer : - Contractor : - COPYRIGHT NO PART OF THIS DOCUMENT MAY BE REPRODUCED, TRANSMITTED, OR RECORDED IN ANY FORM OF OTHERWISE WITHOUT PRIOR WRITTEN PERMISSION OF THE ARCHITECT/ENGINEERS.	Client : Project : RUMAH SOLO	<table border="1"> <thead> <tr> <th>NO.</th> <th>DATE</th> <th>REVISED / ISSUE</th> <th>MARK</th> <th>Legend :</th> </tr> </thead> <tbody> <tr> <td>01.</td> <td>11-10-2017</td> <td>DD</td> <td></td> <td></td> </tr> <tr> <td>02.</td> <td></td> <td></td> <td></td> <td></td> </tr> <tr> <td>03.</td> <td></td> <td></td> <td></td> <td></td> </tr> <tr> <td>04.</td> <td></td> <td></td> <td></td> <td></td> </tr> <tr> <td>05.</td> <td></td> <td></td> <td></td> <td></td> </tr> <tr> <td>06.</td> <td></td> <td></td> <td></td> <td></td> </tr> <tr> <td>06.</td> <td></td> <td></td> <td></td> <td></td> </tr> <tr> <td>06.</td> <td></td> <td></td> <td></td> <td></td> </tr> </tbody> </table>	NO.	DATE	REVISED / ISSUE	MARK	Legend :	01.	11-10-2017	DD			02.					03.					04.					05.					06.					06.					06.					Drawing Title : DETAIL TANGGA UTAMA	Project No. : -
			NO.	DATE	REVISED / ISSUE	MARK	Legend :																																										
01.	11-10-2017	DD																																															
02.																																																	
03.																																																	
04.																																																	
05.																																																	
06.																																																	
06.																																																	
06.																																																	
Status : FOR CONSTRUCTION																																																	
Date : -																																																	
Scale : 1 : 50 A3																																																	
Drawing Number :																																																	
AR-04.001-01																																																	

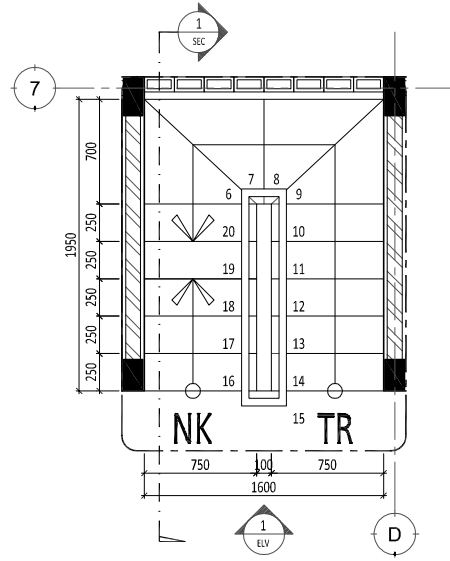
KERAMIK TILE 200 X 200 MM
EX. ROMAN



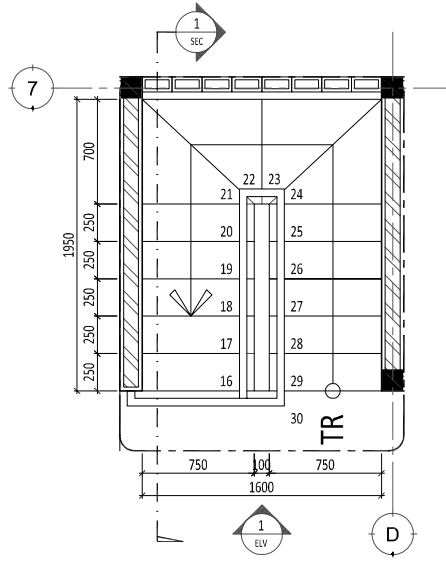
1 DENAH TANGGA SERVICE LT. 1
SCALE 1: 50



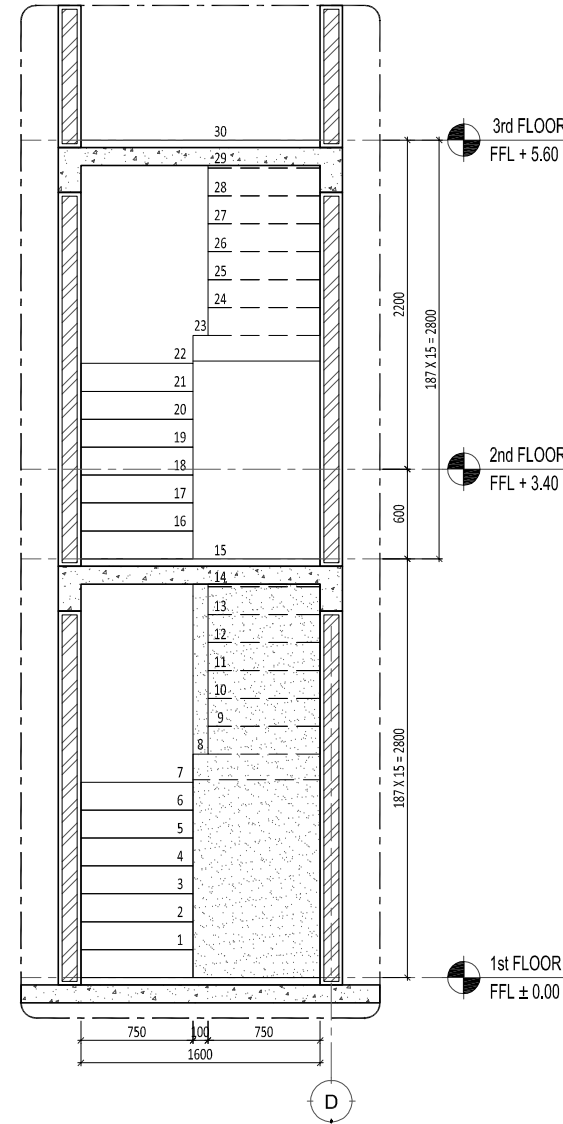
6 DETAIL A
SCALE 1: 10



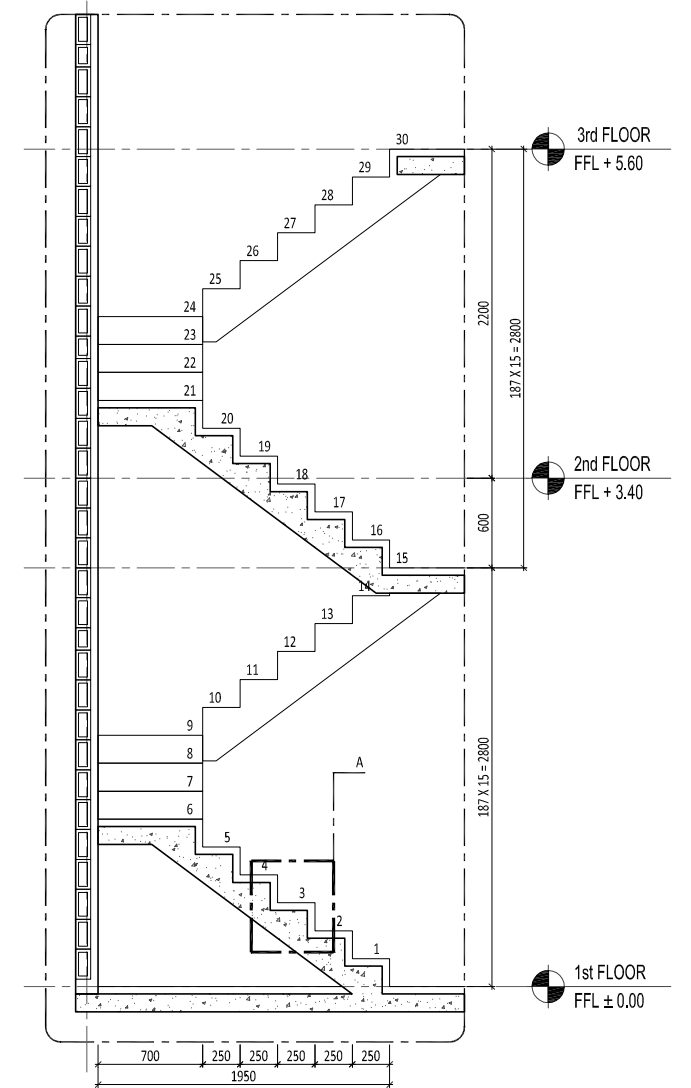
2 DENAH TANGGA SERVICE LT. 2
SCALE 1: 50



3 DENAH TANGGA SERVICE LT. 3
SCALE 1: 50

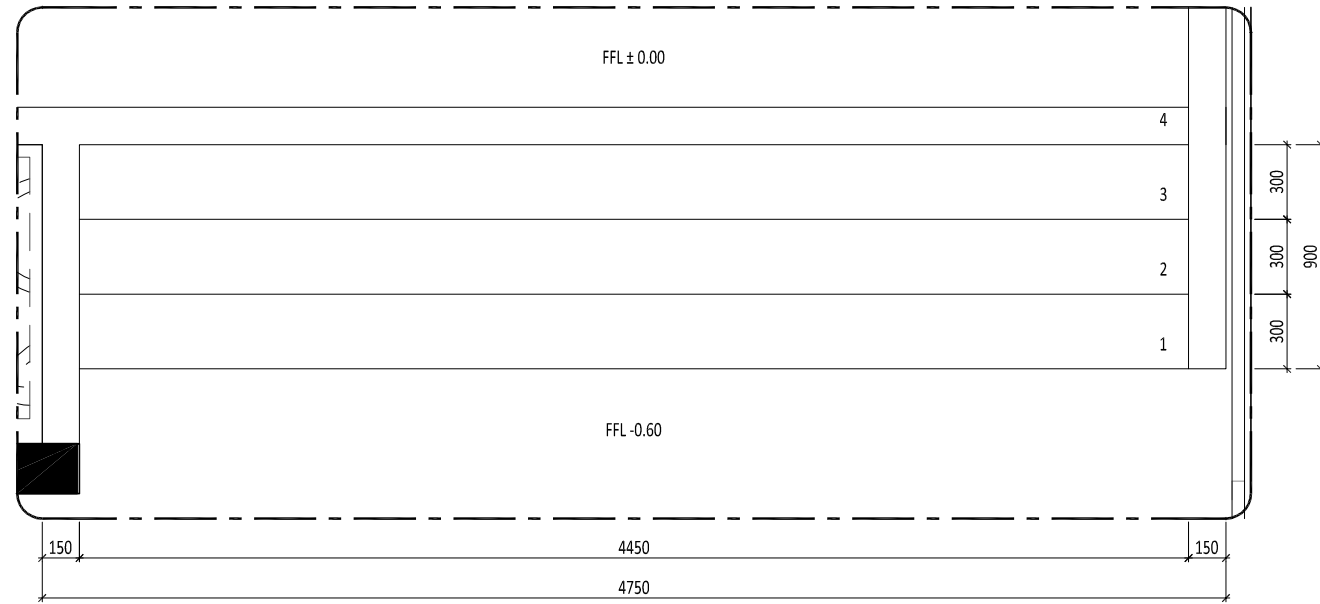


4 TAMPAK 1
SCALE 1: 50

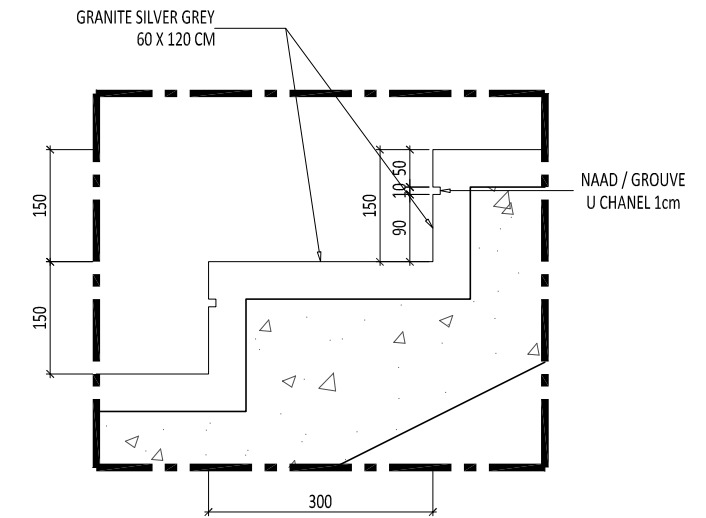


5 POTONGAN 1
SCALE 1: 50

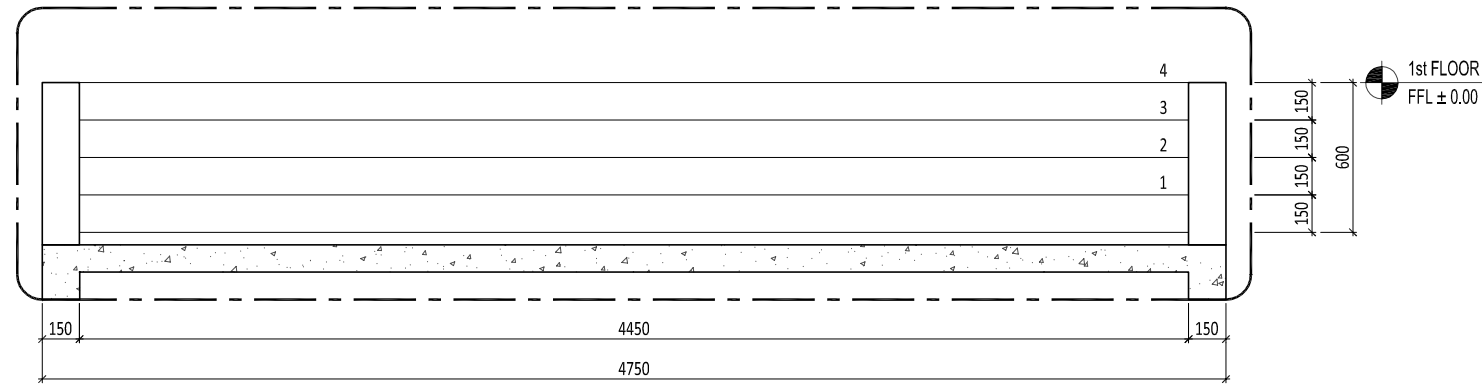
Drawing Information :	Client :	Project :	NO.	DATE	REVISED / ISSUE	MARK	Legend :	Drawing Title :	Project No.	-
	Drawn by : NR_Studio	RUMAH SOLO	01.	11-10-2017	DD				Status	FOR CONSTRUCTION
Project Architect : Studio Teras	02.						Date	-		
Structural Engineer : -	03.						Scale	1: 50	A3	
ME Engineer : -	04.						Drawing Number			
Contractor : -	05.						AR-04.001-02			
COPYRIGHT NO PART OF THIS DOCUMENT MAY BE REPRODUCED, TRANSMITTED, OR RECORDED IN ANY FORM OF OTHERWISE WITHOUT PRIOR WRITTEN PERMISSION OF THE ARCHITECT/ENGINEERS.	06.									



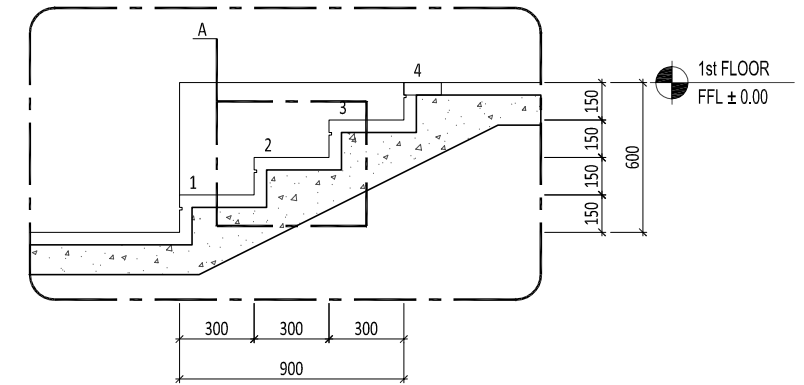
1 DENAH TANGGA ENTRANCE
SCALE 1: 30



4 DETAIL A
SCALE 1: 10

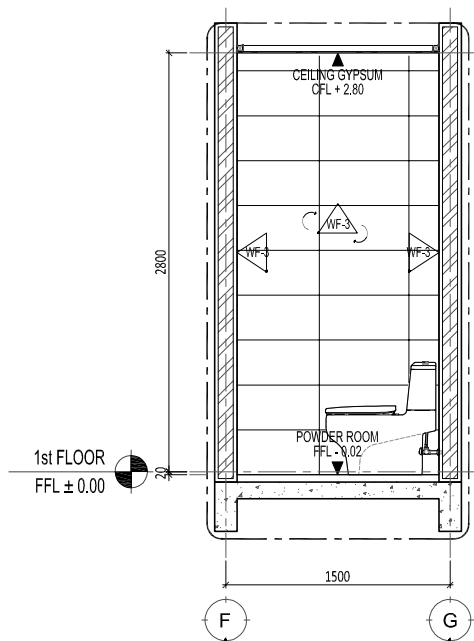


2 TAMPAK 1
SCALE 1: 30

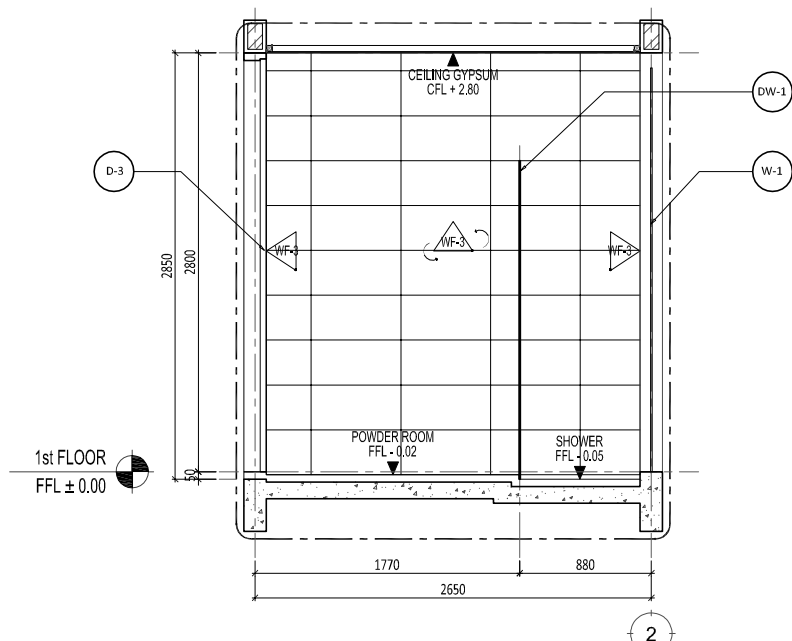


3 POTONGAN 1
SCALE 1: 30

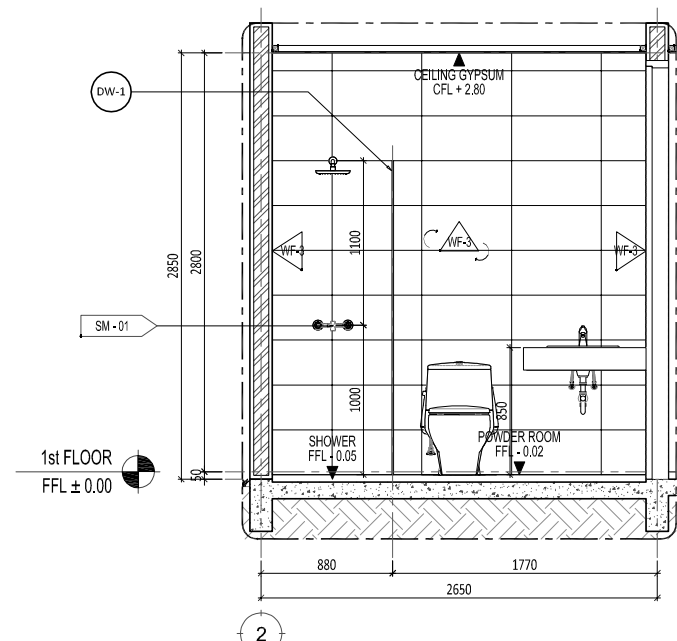
Drawing Information : Drawn by : NR_Studio Project Architect : Studio Teras Structural Engineer : - ME Engineer : - Contractor : - COPYRIGHT NO PART OF THIS DOCUMENT MAY BE REPRODUCED, TRANSMITTED, OR RECORDED IN ANY FORM OF OTHERWISE WITHOUT PRIOR WRITTEN PERMISSION OF THE ARCHITECT/ENGINEERS.	Client :	Project : RUMAH SOLO	NO. 01.	DATE 11-10-2017	REVISED / ISSUE DD	MARK	Legend :	Drawing Title : DETAIL TANGGA ENTRANCE	Project No. -
			NO. 02. NO. 03. NO. 04. NO. 05. NO. 06. NO. 06.	NO. 06.	NO. 06.	NO. 06.			NO. 06.



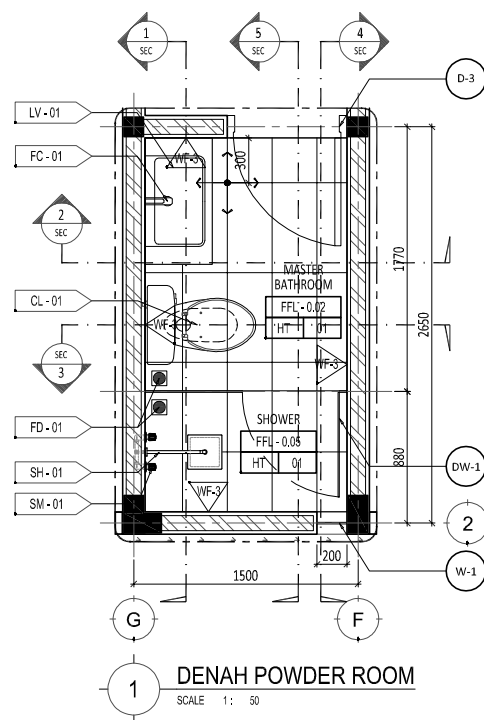
4 POTONGAN 3
SCALE 1: 50



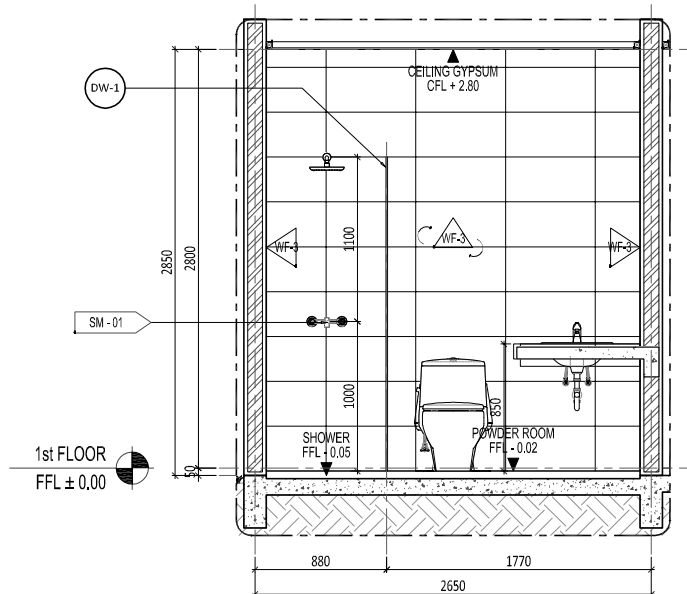
5 POTONGAN 4
SCALE 1: 50



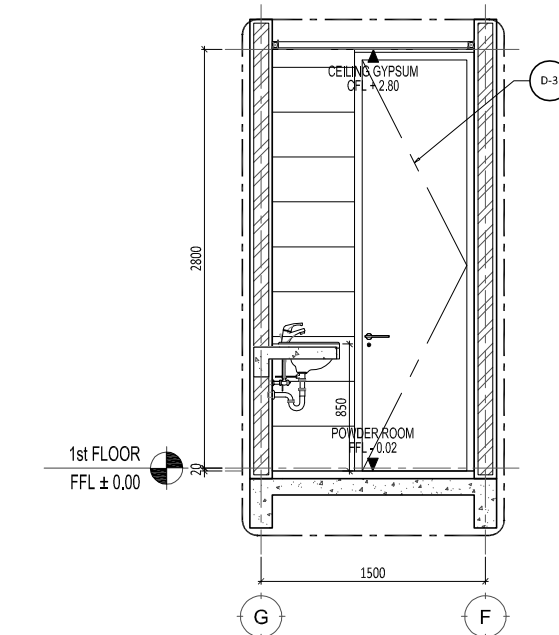
6 POTONGAN 5
SCALE 1: 50



1 DENAH POWDER ROOM
SCALE 1: 50

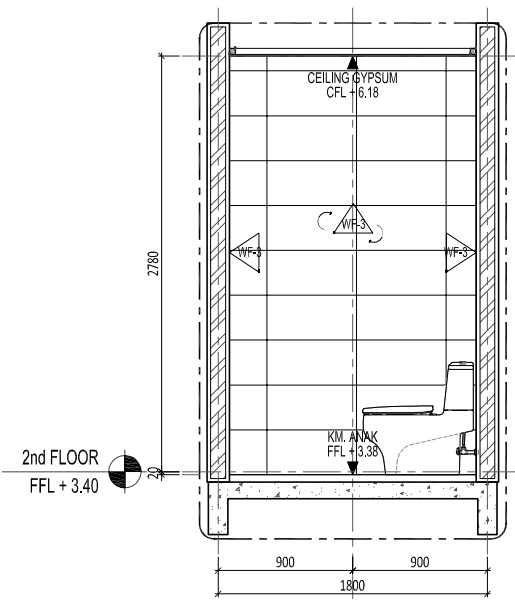


2 POTONGAN 1
SCALE 1: 50

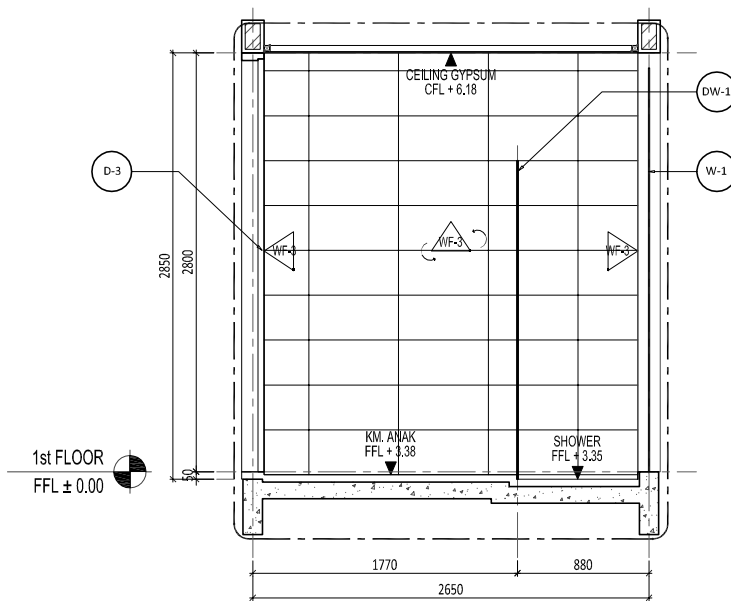


3 POTONGAN 2
SCALE 1: 50

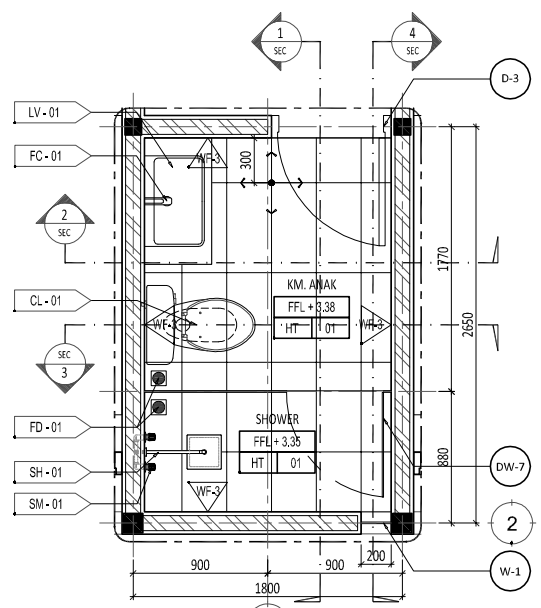
Drawing Information : Drawn by : NR_Studio Project Architect : Studio Teras Structural Engineer : - ME Engineer : - Contractor : - COPYRIGHT NO PART OF THIS DOCUMENT MAY BE REPRODUCED, TRANSMITTED, OR RECORDED IN ANY FORM OF OTHERWISE WITHOUT PRIOR WRITTEN PERMISSION OF THE ARCHITECT/ENGINEERS.	Client : Project : RUMAH SOLO	<table border="1"> <thead> <tr> <th>NO.</th> <th>DATE</th> <th>REVISED / ISSUE</th> <th>MARK</th> </tr> </thead> <tbody> <tr> <td>01.</td> <td>11-10-2017</td> <td>DD</td> <td></td> </tr> <tr> <td>02.</td> <td></td> <td></td> <td></td> </tr> <tr> <td>03.</td> <td></td> <td></td> <td></td> </tr> <tr> <td>04.</td> <td></td> <td></td> <td></td> </tr> <tr> <td>05.</td> <td></td> <td></td> <td></td> </tr> <tr> <td>06.</td> <td></td> <td></td> <td></td> </tr> <tr> <td>06.</td> <td></td> <td></td> <td></td> </tr> <tr> <td>06.</td> <td></td> <td></td> <td></td> </tr> </tbody> </table>	NO.	DATE	REVISED / ISSUE	MARK	01.	11-10-2017	DD		02.				03.				04.				05.				06.				06.				06.				Legend : <table border="0"> <tr> <td>CL - 01</td> <td>: CLOSET</td> <td>FC - 01</td> <td>: FOU CET</td> <td>HT 01</td> <td>&</td> <td>WF-3</td> <td>: HT 30X60CM EX.ROMAN</td> </tr> <tr> <td>CL - 02</td> <td>: CLOSET</td> <td>FC - 02</td> <td>: FOU CET</td> <td>MM 01</td> <td>&</td> <td>WF-7</td> <td>: MARMER STATUARIO</td> </tr> <tr> <td>SH - 01</td> <td>: SHOWER HEAD</td> <td>TH - 01</td> <td>: TISSUE HOLDER</td> <td>CR 01</td> <td>&</td> <td>WF-8</td> <td>: CERAMIC 20X20CM EX.ROMAN</td> </tr> <tr> <td>HS - 01</td> <td>: HAND SHOWER</td> <td>FD - 01</td> <td>: FLOOR DRAIN</td> <td></td> <td></td> <td></td> <td></td> </tr> <tr> <td>LV - 01</td> <td>: LAVATORY</td> <td>SM - 01</td> <td>: SHOWER MIXER</td> <td></td> <td></td> <td></td> <td></td> </tr> <tr> <td>BT - 01</td> <td>: BATHUB</td> <td></td> <td></td> <td></td> <td></td> <td></td> <td></td> </tr> </table>	CL - 01	: CLOSET	FC - 01	: FOU CET	HT 01	&	WF-3	: HT 30X60CM EX.ROMAN	CL - 02	: CLOSET	FC - 02	: FOU CET	MM 01	&	WF-7	: MARMER STATUARIO	SH - 01	: SHOWER HEAD	TH - 01	: TISSUE HOLDER	CR 01	&	WF-8	: CERAMIC 20X20CM EX.ROMAN	HS - 01	: HAND SHOWER	FD - 01	: FLOOR DRAIN					LV - 01	: LAVATORY	SM - 01	: SHOWER MIXER					BT - 01	: BATHUB							Drawing Title : DETAIL POWDER ROOM	Project No. : -
			NO.	DATE	REVISED / ISSUE	MARK																																																																																			
01.	11-10-2017	DD																																																																																							
02.																																																																																									
03.																																																																																									
04.																																																																																									
05.																																																																																									
06.																																																																																									
06.																																																																																									
06.																																																																																									
CL - 01	: CLOSET	FC - 01	: FOU CET	HT 01	&	WF-3	: HT 30X60CM EX.ROMAN																																																																																		
CL - 02	: CLOSET	FC - 02	: FOU CET	MM 01	&	WF-7	: MARMER STATUARIO																																																																																		
SH - 01	: SHOWER HEAD	TH - 01	: TISSUE HOLDER	CR 01	&	WF-8	: CERAMIC 20X20CM EX.ROMAN																																																																																		
HS - 01	: HAND SHOWER	FD - 01	: FLOOR DRAIN																																																																																						
LV - 01	: LAVATORY	SM - 01	: SHOWER MIXER																																																																																						
BT - 01	: BATHUB																																																																																								
Status : FOR CONSTRUCTION																																																																																									
Date : -																																																																																									
Scale : 1 : 50 A3																																																																																									
Drawing Number AR-04.002-01																																																																																									



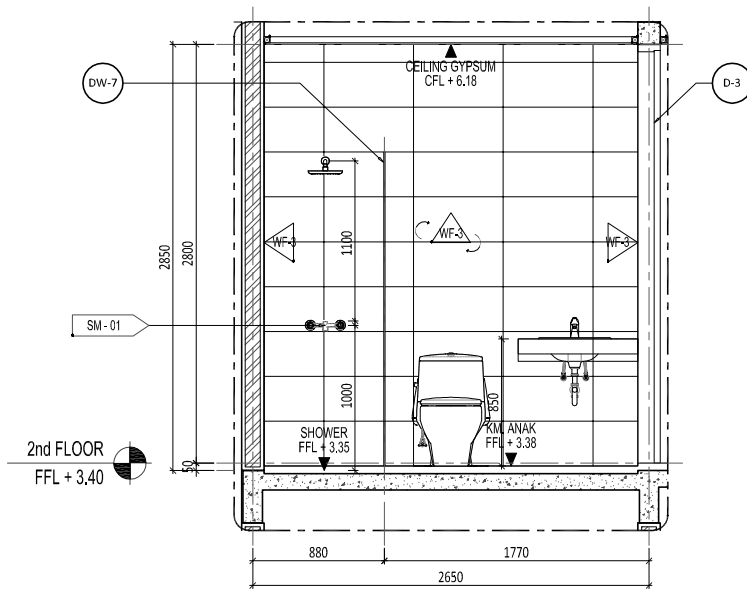
1 POTONGAN 3
SCALE 1: 50



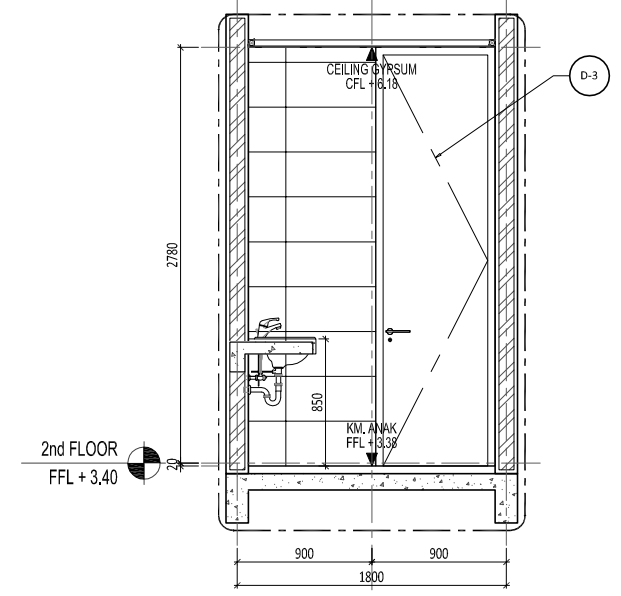
5 POTONGAN 4
SCALE 1: 50



1 DENAH KM. ANAK
SCALE 1: 50

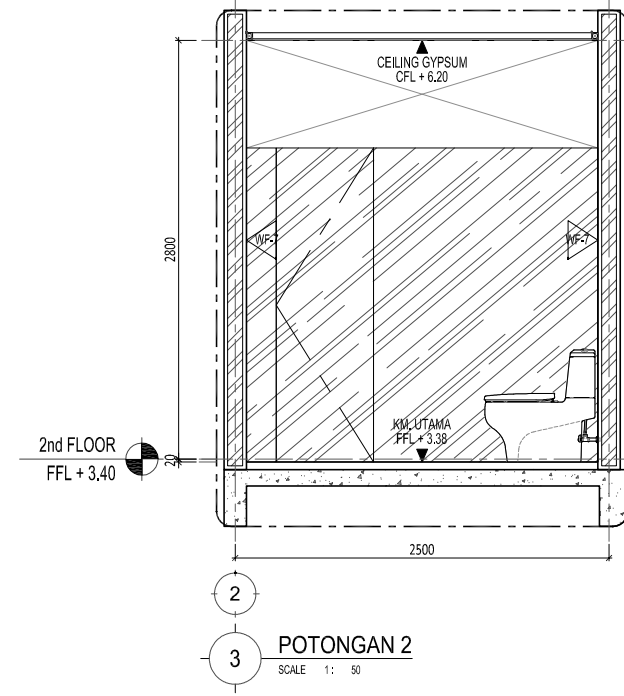
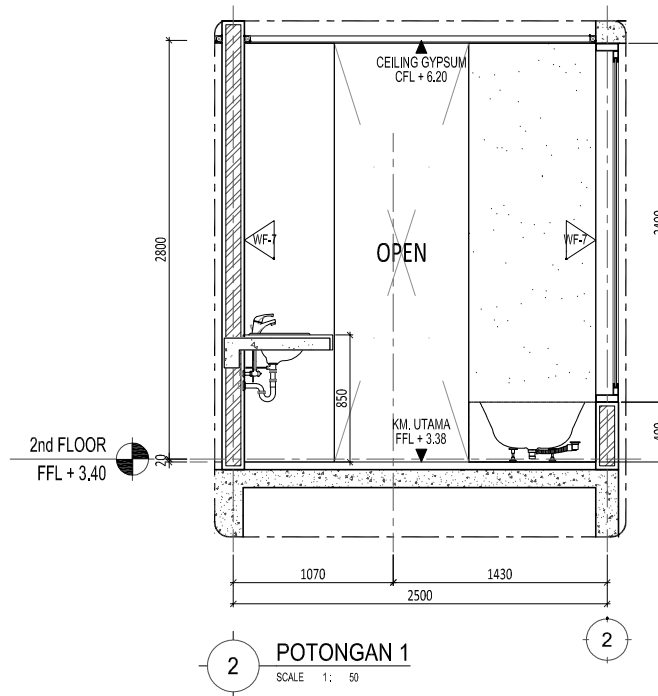
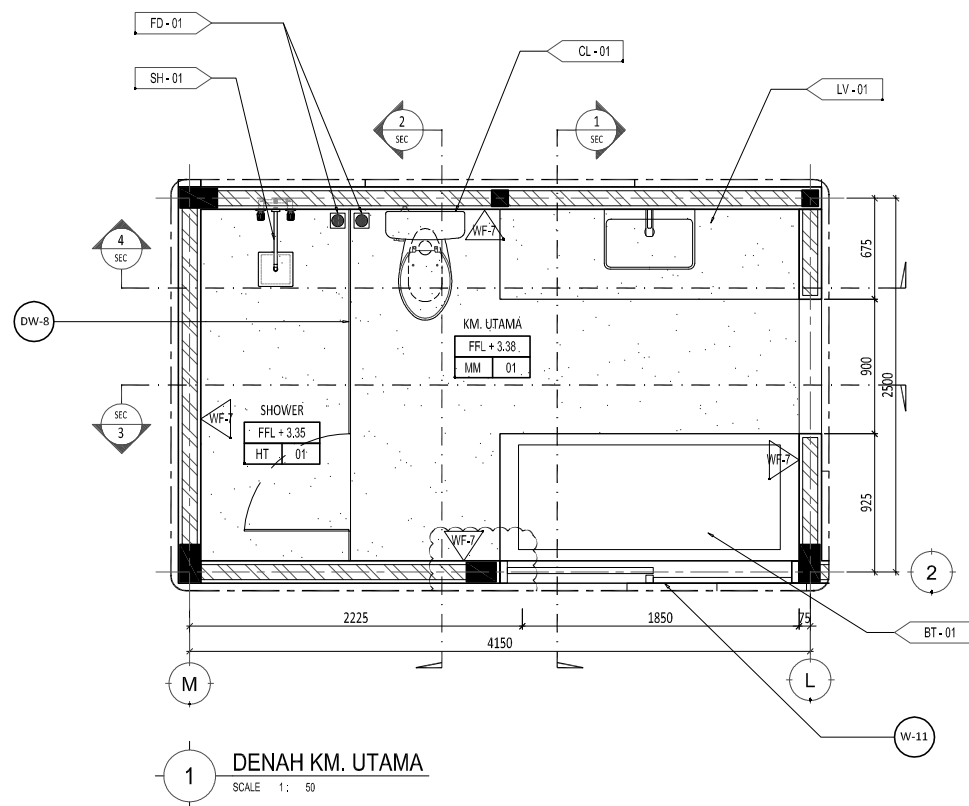
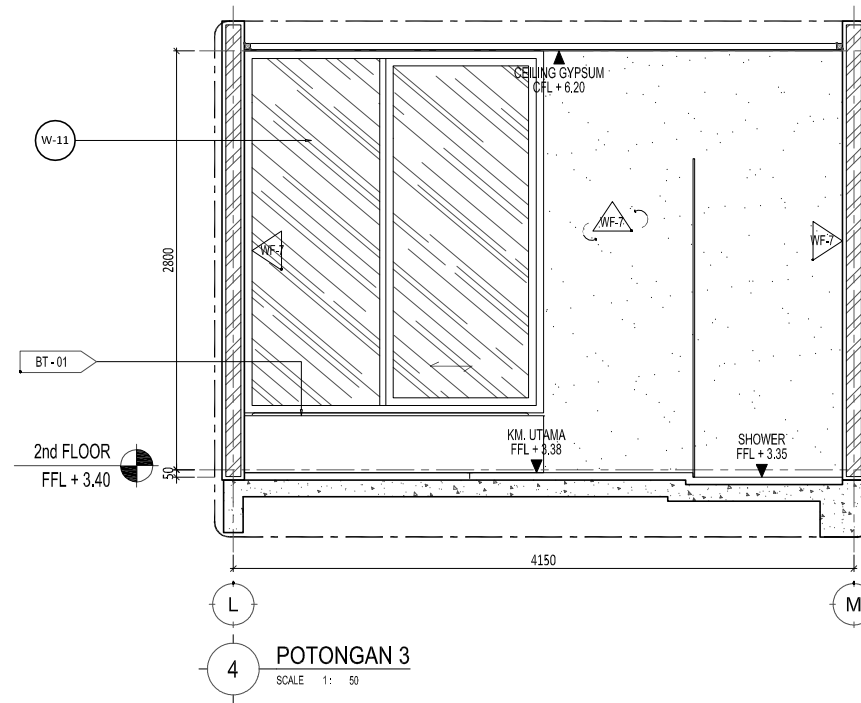
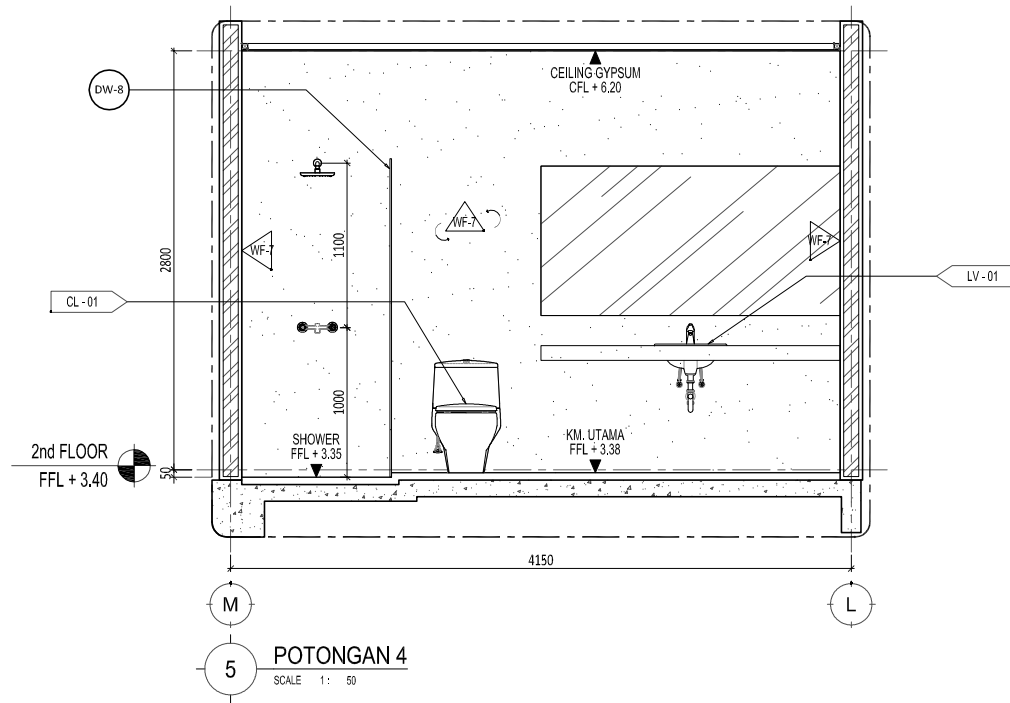


2 POTONGAN 2
SCALE 1: 50

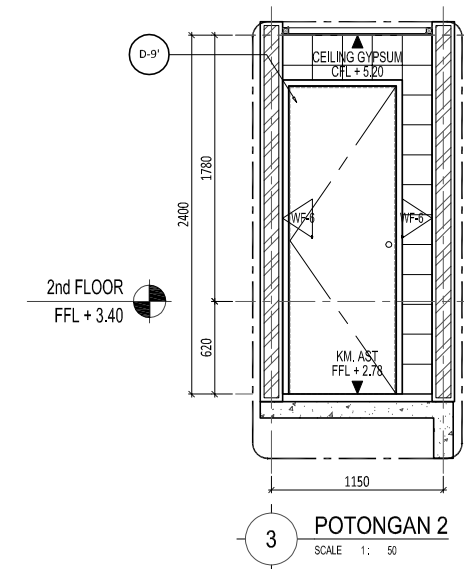
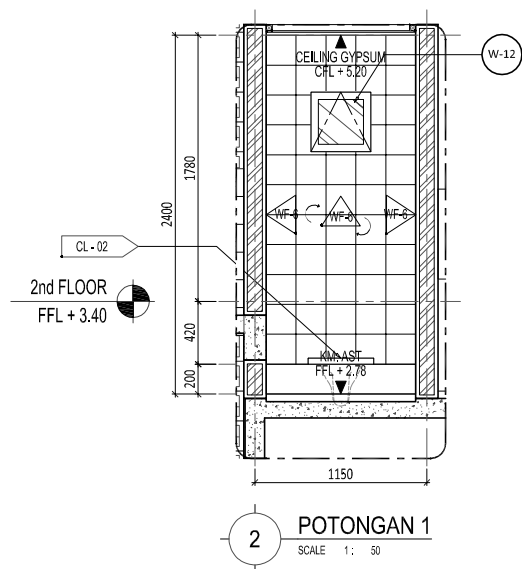
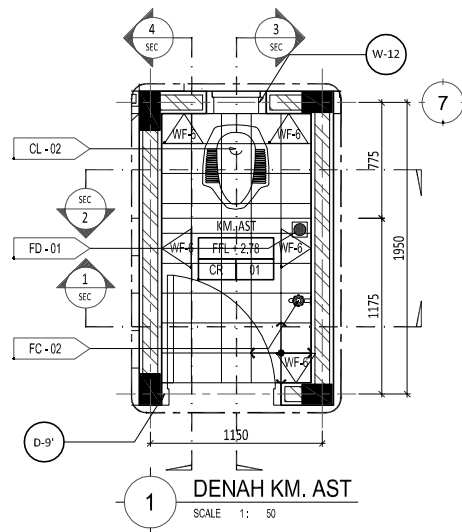
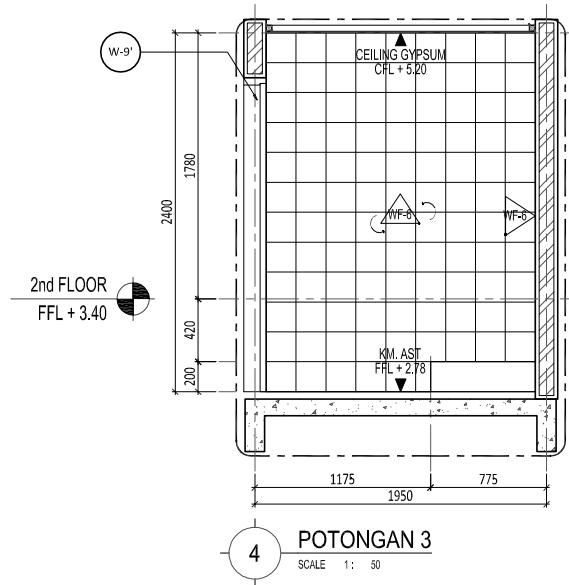
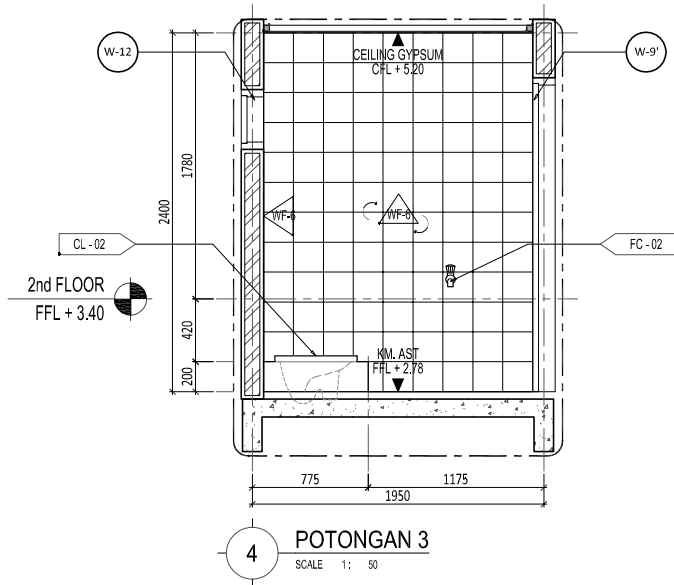


1 POTONGAN 2
SCALE 1: 50

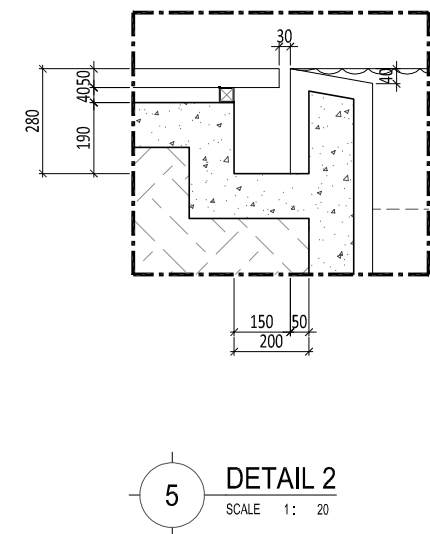
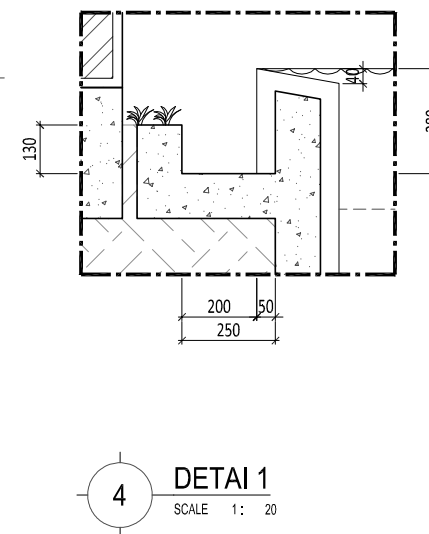
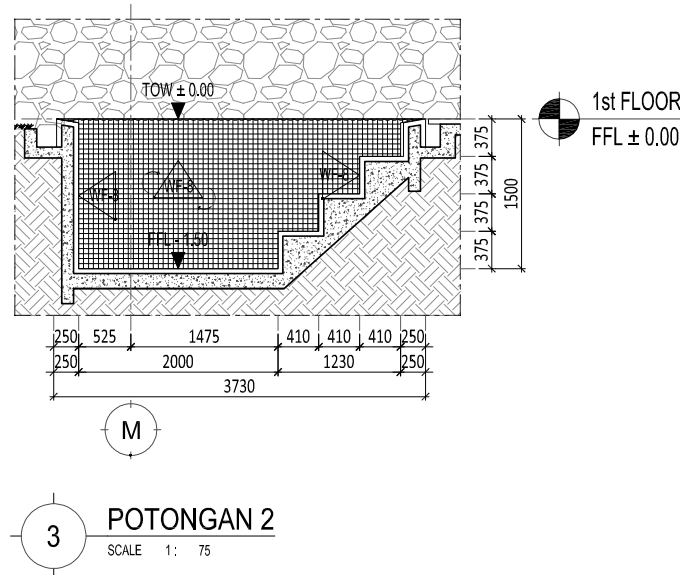
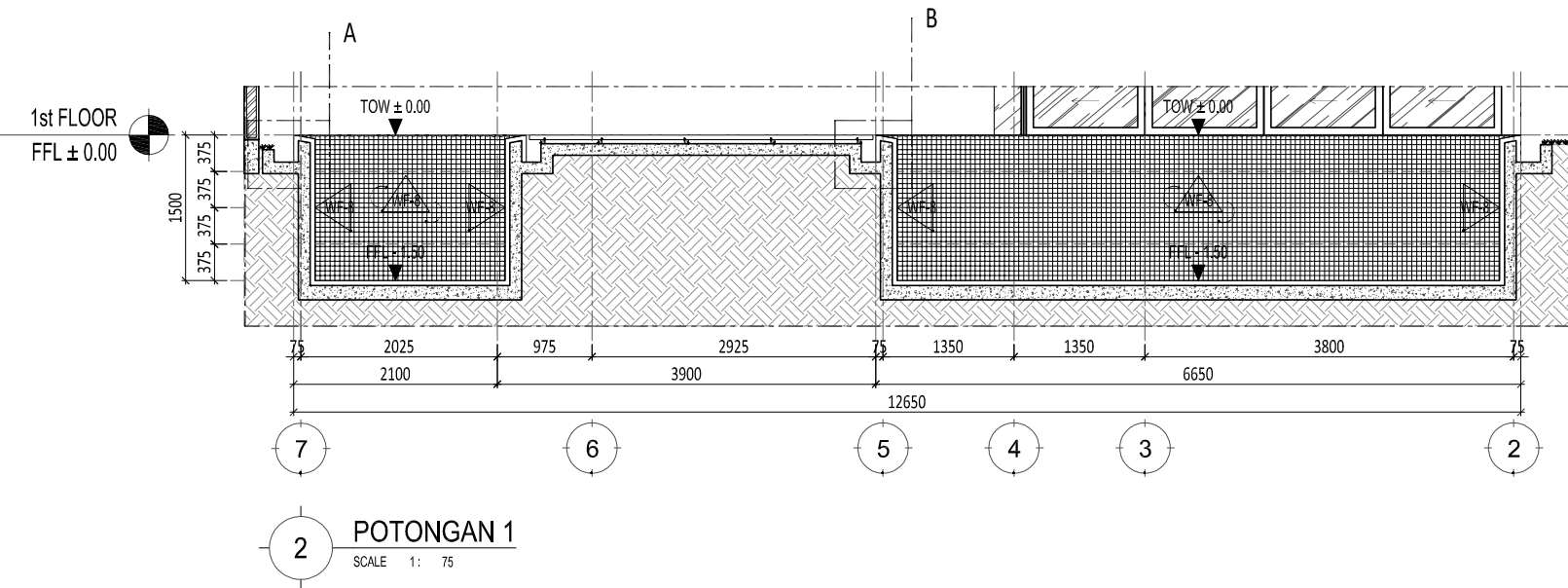
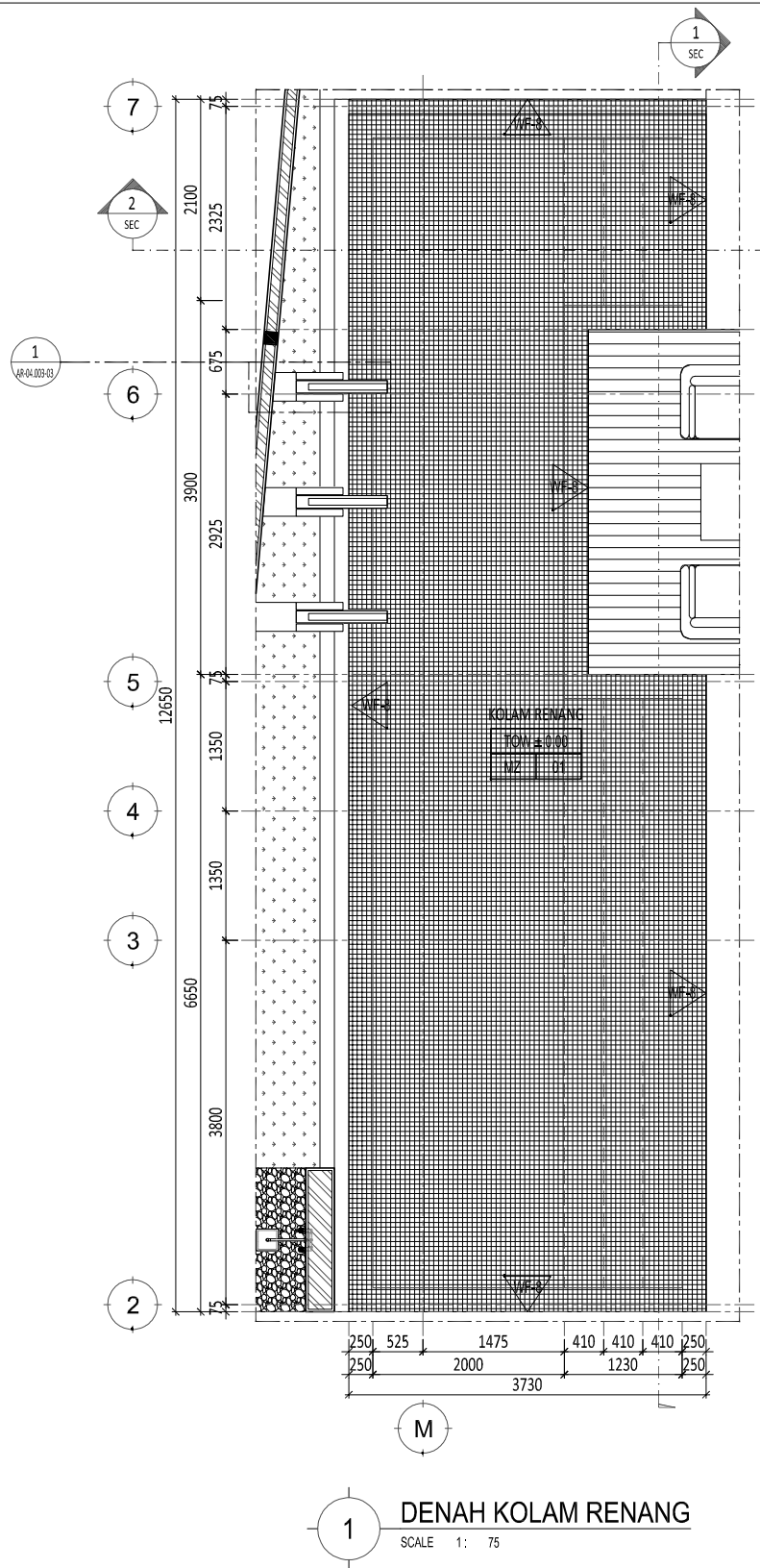
Drawing Information : Drawn by : NR_Studio Project Architect : Studio Teras Structural Engineer : - ME Engineer : - Contractor : - COPYRIGHT NO PART OF THIS DOCUMENT MAY BE REPRODUCED, TRANSMITTED, OR RECORDED IN ANY FORM OF OTHERWISE WITHOUT PRIOR WRITTEN PERMISSION OF THE ARCHITECT/ENGINEERS.	Client : Project : RUMAH SOLO	NO. DATE REVISED / ISSUE MARK 01. 11-10-2017 DD 02. 03. 04. 05. 06. 06.	Legend : CL - 01 : CLOSET CL - 02 : CLOSET SH - 01 : SHOWER HEAD HS - 01 : HAND SHOWER LV - 01 : LAVATORY BT - 01 : BATHUB FC - 01 : FOUCET FC - 02 : FOUCET TH - 01 : TISSUE HOLDER FD - 01 : FLOOR DRAIN SM - 01 : SHOWER MIXER HT 01 & WF-3 : HT 30X60CM EX.ROMAN MM 01 & WF-7 : MARMER STATUARIO CR 01 & WF-8 : CERAMIC 20X20CM EX.ROMAN	Drawing Title : DETAIL KM. ANAK	Project No. : - Status : FOR CONSTRUCTION Date : - Scale : 1 : 50 A3 Drawing Number : AR-04.002-02
--	--	--	--	---	--



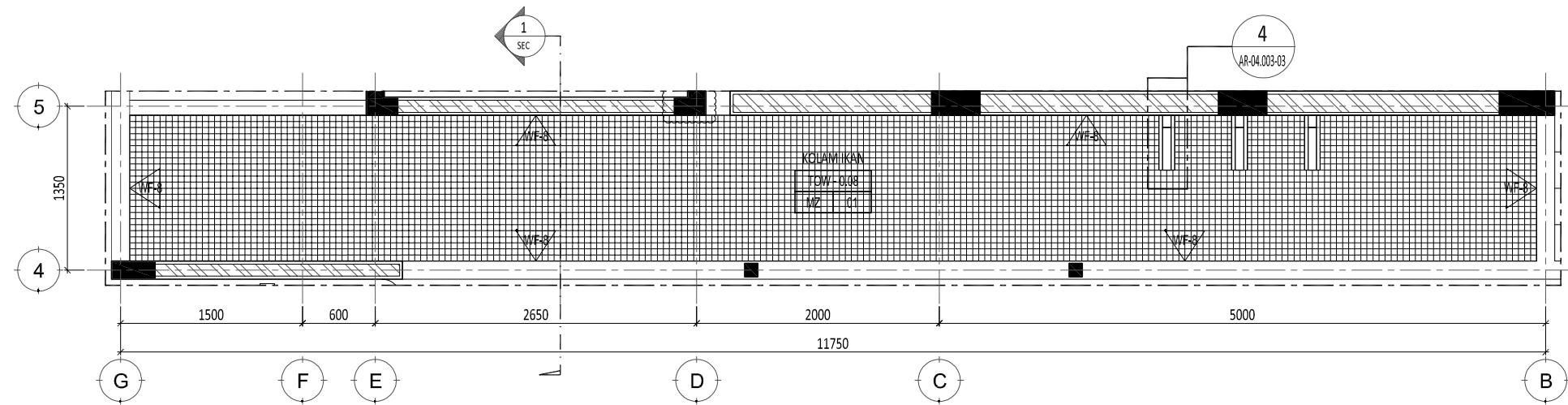
Drawing Information : Drawn by : NR_Studio Project Architect : Studio Teras Structural Engineer : - ME Engineer : - Contractor : - COPYRIGHT NO PART OF THIS DOCUMENT MAY BE REPRODUCED, TRANSMITTED, OR RECORDED IN ANY FORM OF OTHERWISE WITHOUT PRIOR WRITTEN PERMISSION OF THE ARCHITECT/ENGINEERS.	Client : Project : RUMAH SOLO	NO. DATE REVISED / ISSUE MARK 01. 11-10-2017 DD 02. 03. 04. 05. 06. 06.	Legend : CL - 01 : CLOSET CL - 02 : CLOSET SH - 01 : SHOWER HEAD HS - 01 : HAND SHOWER LV - 01 : LAVATORY BT - 01 : BATHUB FC - 01 : FOU CET FC - 02 : FOU CET TH - 01 : TISSUE HOLDER FD - 01 : FLOOR DRAIN SM - 01 : SHOWER MIXER HT 01 & WF-3 : HT 30X60CM EX.ROMAN MM 01 & WF-7 : MARMER STATUARIO CR 01 & WF-8 : CERAMIC 20X20CM EX.ROMAN	Drawing Title : DETAIL KM. UTAMA	Project No. : - Status : FOR CONSTRUCTION Date : - Scale : 1 : 50 A3 Drawing Number : AR-04.002-03
--	--	--	--	--	--



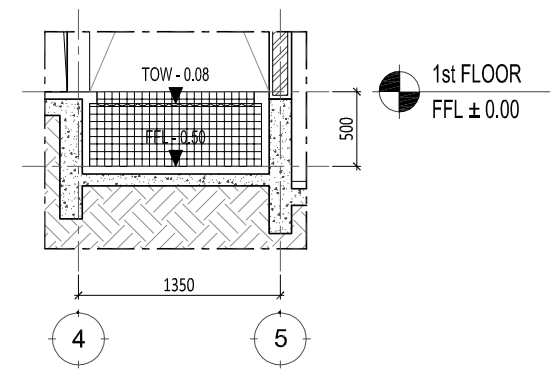
Drawing Information : Drawn by : NR_Studio Project Architect : Studio Teras Structural Engineer : - ME Engineer : - Contractor : - COPYRIGHT NO PART OF THIS DOCUMENT MAY BE REPRODUCED, TRANSMITTED, OR RECORDED IN ANY FORM OF OTHERWISE WITHOUT PRIOR WRITTEN PERMISSION OF THE ARCHITECT/ENGINEERS.		Client : Project : RUMAH SOLO	<table border="1"> <thead> <tr> <th>NO.</th> <th>DATE</th> <th>REVISED / ISSUE</th> <th>MARK</th> </tr> </thead> <tbody> <tr> <td>01.</td> <td>11-10-2017</td> <td>DD</td> <td></td> </tr> <tr> <td>02.</td> <td></td> <td></td> <td></td> </tr> <tr> <td>03.</td> <td></td> <td></td> <td></td> </tr> <tr> <td>04.</td> <td></td> <td></td> <td></td> </tr> <tr> <td>05.</td> <td></td> <td></td> <td></td> </tr> <tr> <td>06.</td> <td></td> <td></td> <td></td> </tr> <tr> <td>06.</td> <td></td> <td></td> <td></td> </tr> <tr> <td>06.</td> <td></td> <td></td> <td></td> </tr> </tbody> </table>	NO.	DATE	REVISED / ISSUE	MARK	01.	11-10-2017	DD		02.				03.				04.				05.				06.				06.				06.				Legend : <table border="0"> <tr> <td>CL - 01</td><td>: CLOSET</td> <td>FC - 01</td><td>: FOU CET</td> <td>HT 01 & WF-3</td><td>: HT 30X60CM EX.ROMAN</td> </tr> <tr> <td>CL - 02</td><td>: CLOSET</td> <td>FC - 02</td><td>: FOU CET</td> <td>MM 01 & WF-7</td><td>: MARMER STATUARIO</td> </tr> <tr> <td>SH - 01</td><td>: SHOWER HEAD</td> <td>TH - 01</td><td>: TISSUE HOLDER</td> <td>CR 01 & WF-8</td><td>: CERAMIC 20X20CM EX.ROMAN</td> </tr> <tr> <td>HS - 01</td><td>: HAND SHOWER</td> <td>FD - 01</td><td>: FLOOR DRAIN</td> <td></td><td></td> </tr> <tr> <td>LV - 01</td><td>: LAVATORY</td> <td>SM - 01</td><td>: SHOWER MIXER</td> <td></td><td></td> </tr> <tr> <td>BT - 01</td><td>: BATHUB</td> <td></td><td></td> <td></td><td></td> </tr> </table>	CL - 01	: CLOSET	FC - 01	: FOU CET	HT 01 & WF-3	: HT 30X60CM EX.ROMAN	CL - 02	: CLOSET	FC - 02	: FOU CET	MM 01 & WF-7	: MARMER STATUARIO	SH - 01	: SHOWER HEAD	TH - 01	: TISSUE HOLDER	CR 01 & WF-8	: CERAMIC 20X20CM EX.ROMAN	HS - 01	: HAND SHOWER	FD - 01	: FLOOR DRAIN			LV - 01	: LAVATORY	SM - 01	: SHOWER MIXER			BT - 01	: BATHUB					Drawing Title : DETAIL KM. AST	<table border="1"> <tr> <td>Project No.</td> <td>-</td> </tr> <tr> <td>Status</td> <td>FOR CONSTRUCTION</td> </tr> <tr> <td>Date</td> <td>-</td> </tr> <tr> <td>Scale</td> <td>1 : 50 A3</td> </tr> <tr> <td colspan="2" style="text-align: center;">Drawing Number</td> </tr> <tr> <td colspan="2" style="text-align: center;">AR-04.002-04</td> </tr> </table>	Project No.	-	Status	FOR CONSTRUCTION	Date	-	Scale	1 : 50 A3	Drawing Number		AR-04.002-04	
NO.	DATE	REVISED / ISSUE	MARK																																																																																							
01.	11-10-2017	DD																																																																																								
02.																																																																																										
03.																																																																																										
04.																																																																																										
05.																																																																																										
06.																																																																																										
06.																																																																																										
06.																																																																																										
CL - 01	: CLOSET	FC - 01	: FOU CET	HT 01 & WF-3	: HT 30X60CM EX.ROMAN																																																																																					
CL - 02	: CLOSET	FC - 02	: FOU CET	MM 01 & WF-7	: MARMER STATUARIO																																																																																					
SH - 01	: SHOWER HEAD	TH - 01	: TISSUE HOLDER	CR 01 & WF-8	: CERAMIC 20X20CM EX.ROMAN																																																																																					
HS - 01	: HAND SHOWER	FD - 01	: FLOOR DRAIN																																																																																							
LV - 01	: LAVATORY	SM - 01	: SHOWER MIXER																																																																																							
BT - 01	: BATHUB																																																																																									
Project No.	-																																																																																									
Status	FOR CONSTRUCTION																																																																																									
Date	-																																																																																									
Scale	1 : 50 A3																																																																																									
Drawing Number																																																																																										
AR-04.002-04																																																																																										



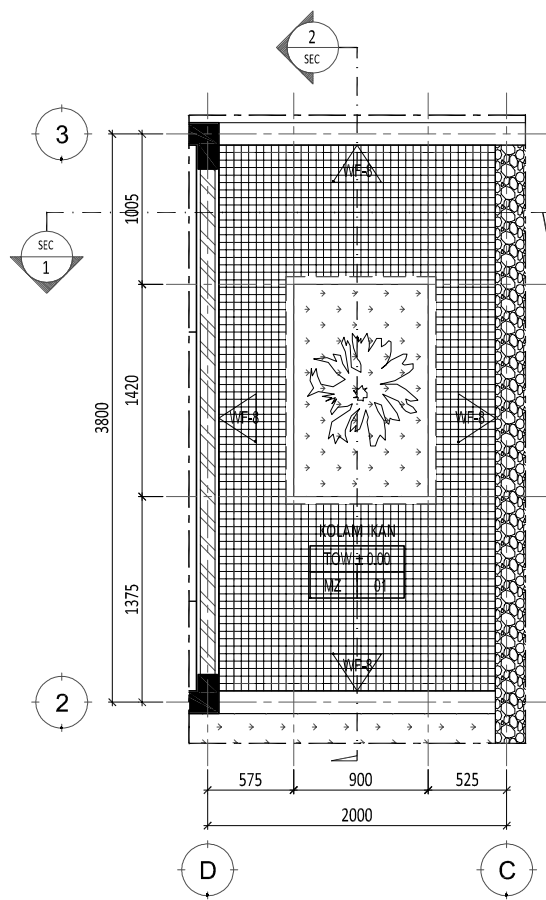
Drawing Information :	Client :	Project :	NO.	DATE	REVISED / ISSUE	MARK	Legend :	Drawing Title :	Project No.	-
	Drawn by : NR_Studio	RUMAH SOLO	01.	11-10-2017	DD				MZ 01 : MOZAIK KUDA LAUT 5X5CM	Status
Project Architect : Studio Teras	02.						WF-8 : MOZAIK KUDA LAUT 5X5CM	Date	-	
Structural Engineer : -	03.							Scale	1 : 75	
ME Engineer : -	04.							A3		
Contractor : -	05.							Drawing Number		
COPYRIGHT NO PART OF THIS DOCUMENT MAY BE REPRODUCED, TRANSMITTED, OR RECORDED IN ANY FORM OF OTHERWISE WITHOUT PRIOR WRITTEN PERMISSION OF THE ARCHITECT/ENGINEERS.	06.							AR-04.003-01		



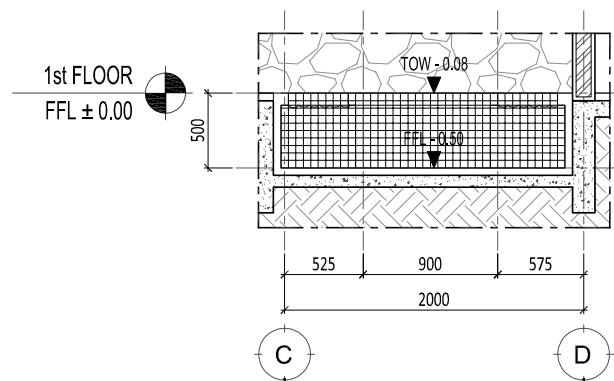
1 DENAH KOLAM IKAN 1
SCALE 1: 50



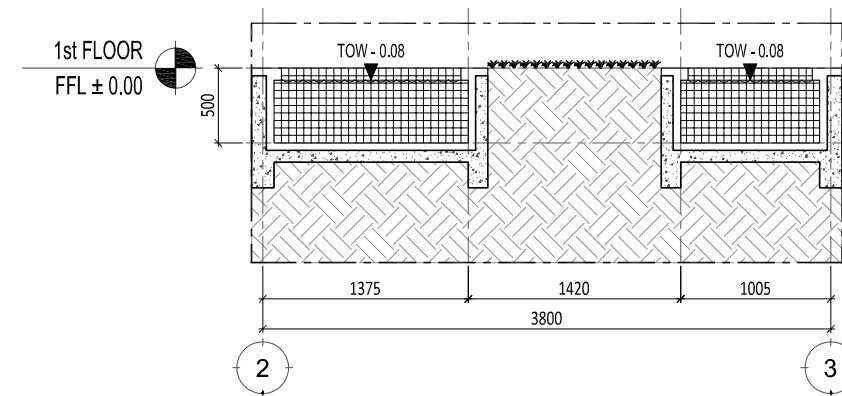
2 POTONGAN 1
SCALE 1: 50



3 DENAH KOLAM IKAN 2
SCALE 1: 50

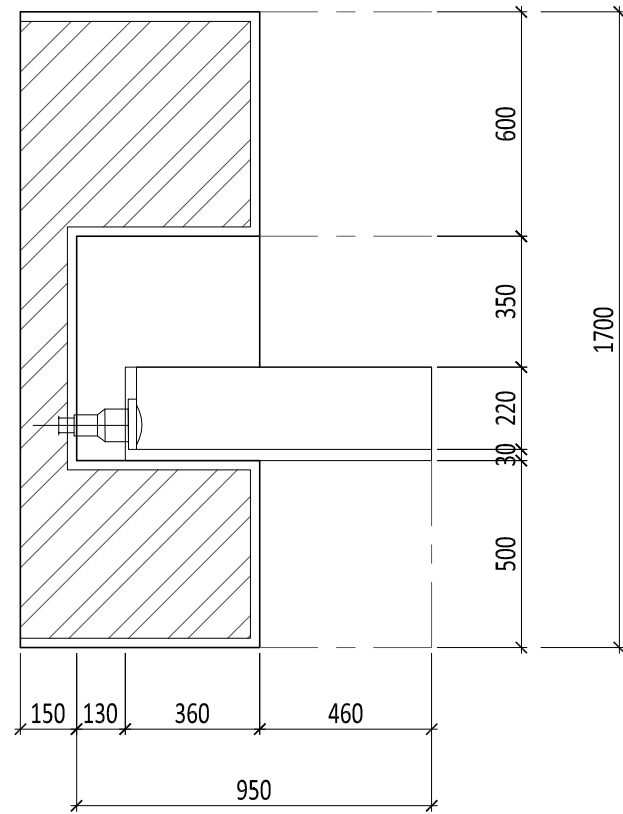


4 POTONGAN 1
SCALE 1: 50

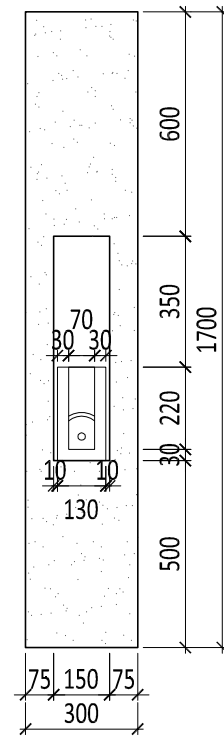


5 POTONGAN 2
SCALE 1: 50

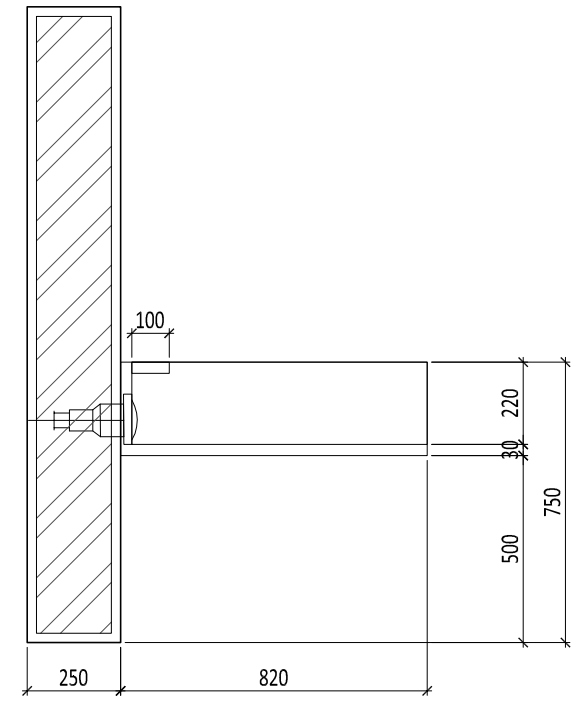
Drawing Information : Drawn by : NR_Studio Project Architect : Studio Teras Structural Engineer : - ME Engineer : - Contractor : - COPYRIGHT NO PART OF THIS DOCUMENT MAY BE REPRODUCED, TRANSMITTED, OR RECORDED IN ANY FORM OF OTHERWISE WITHOUT PRIOR WRITTEN PERMISSION OF THE ARCHITECT/ENGINEERS.	Client :	Project : <p style="text-align: center;">RUMAH SOLO</p>	NO. DATE REVISED / ISSUE MARK	Legend : : MOZAIK KUDA LAUT 5X5CM : MOZAIK KUDA LAUT 5X5CM	Drawing Title : <p style="text-align: center;">DETAIL KOLAM IKAN 1 DAN 2</p>	Project No. -
			01. 11-10-2017 DD 02. 03. 04. 05. 06. 06. 06.			Status FOR CONSTRUCTION Date - Scale 1: 50 A3 Drawing Number <p style="text-align: center;">AR-04.003-02</p>



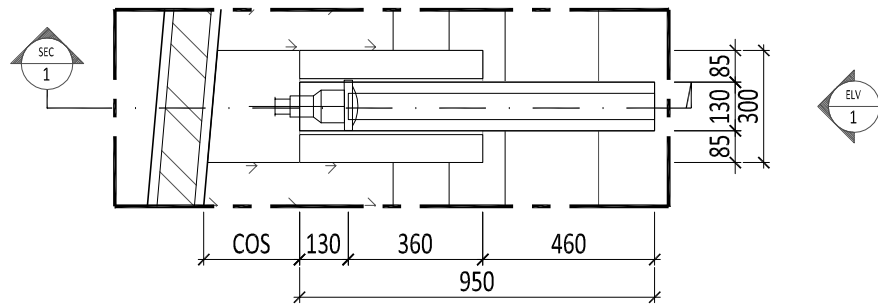
2 POTONGAN 1
SCALE 1: 20



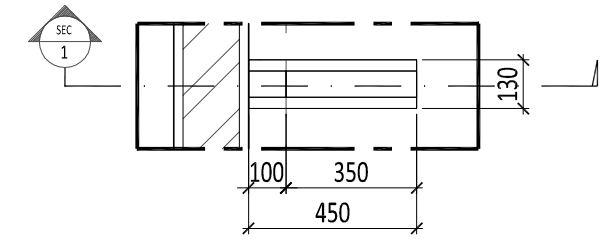
3 TAMPAK 1
SCALE 1: 20



5 POTONGAN 1
SCALE 1: 20

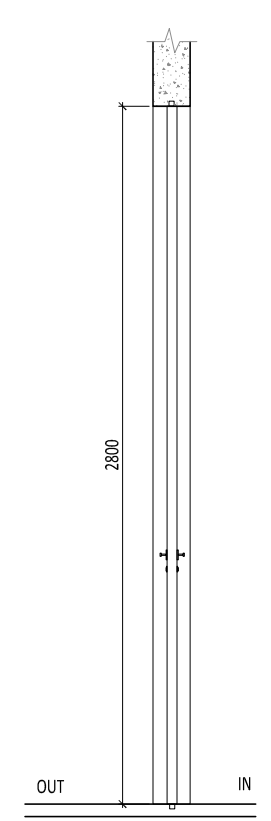
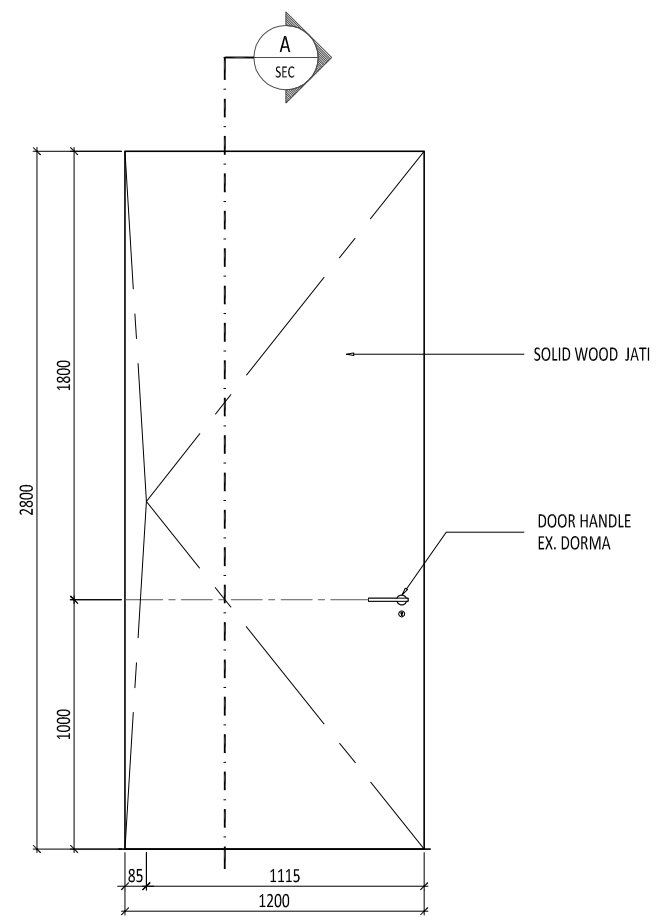


1 DENAH AIR MANCUR
SCALE 1: 20



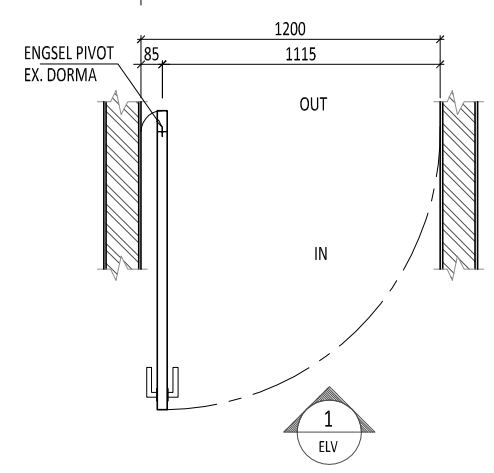
4 DENAH AIR MANCUR
SCALE 1: 20

Drawing Information :		Client :	Project :	NO.	DATE	REVISED / ISSUE	MARK	Legend :	Drawing Title :	Project No.	-	
Drawn by	: NR_Studio									Status	FOR CONSTRUCTION	
Project Architect	: Studio Teras	RUMAH SOLO		01.	11-10-2017	DD			DETAIL AIR MANCUR	Date	-	
Structural Engineer	: -			02.						Scale	1:20	A3
ME Engineer	: -			03.						Drawing Number		
Contractor	: -			04.						AR-04.003-03		
COPYRIGHT				05.								
NO PART OF THIS DOCUMENT MAY BE REPRODUCED, TRANSMITTED, OR RECORDED IN ANY FORM OF OTHERWISE WITHOUT PRIOR WRITTEN PERMISSION OF THE ARCHITECT/ENGINEERS.				06.								

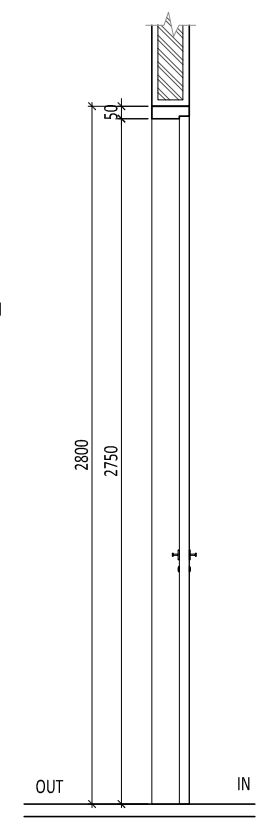
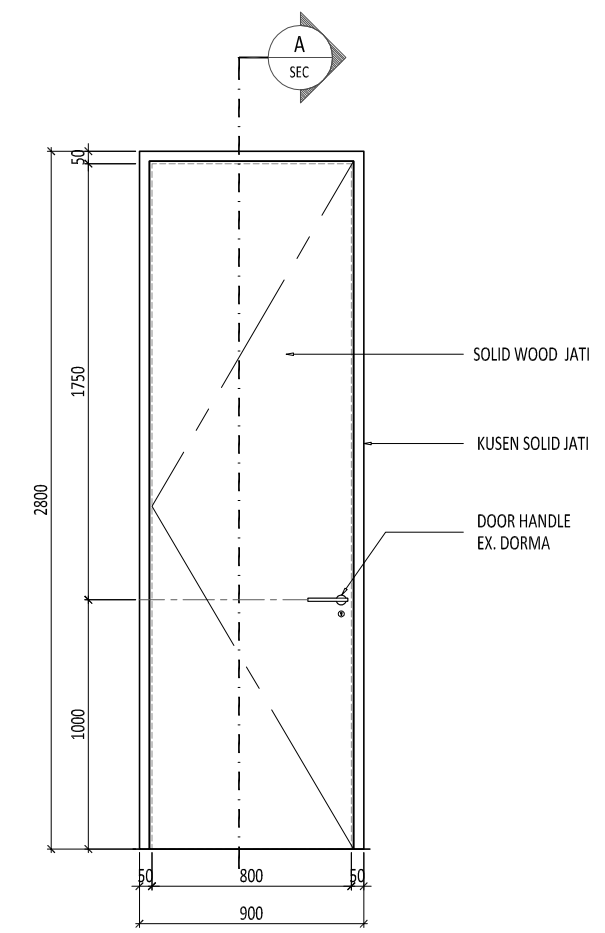


2 ELEVATION 1
SCALE 1: 30 (A3)

3 SECTION A
SCALE 1: 30 (A3)

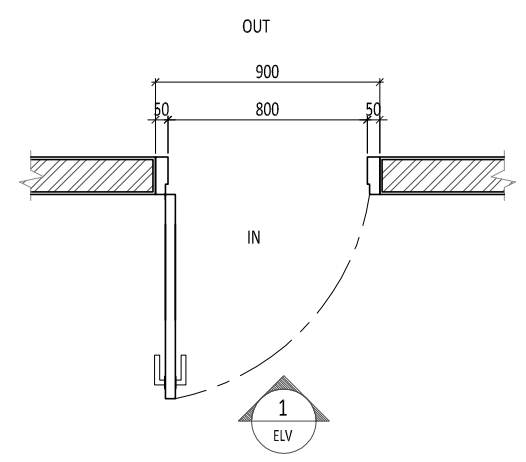


1 PLAN D-1
SCALE 1: 30 (A3)



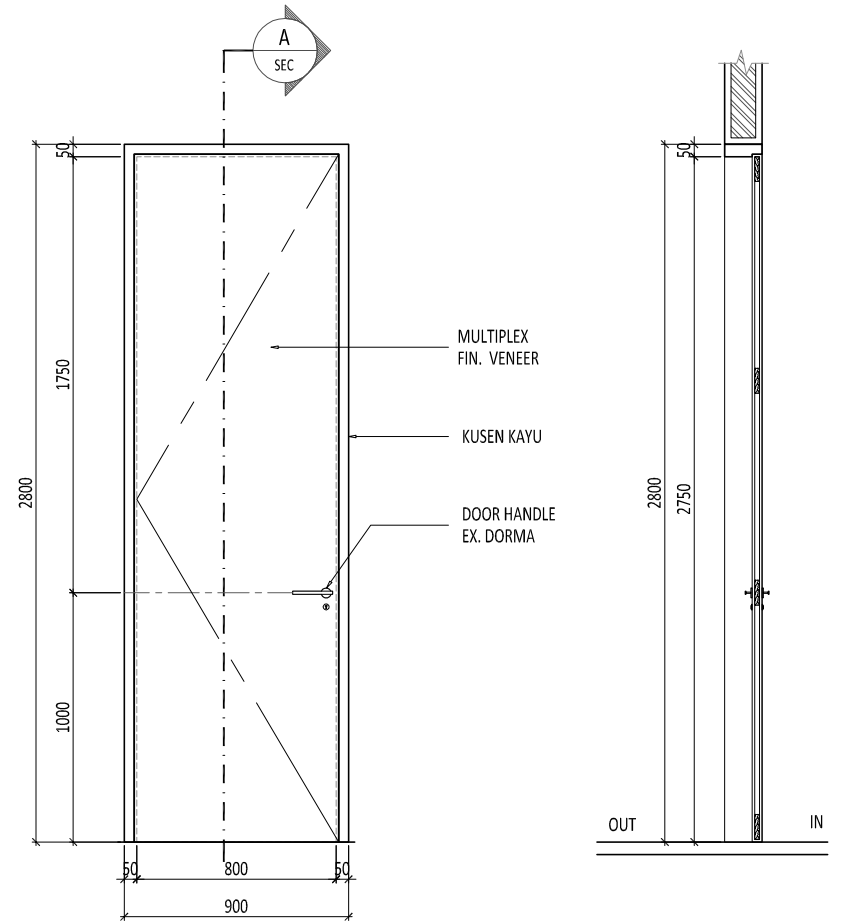
2 ELEVATION 1
SCALE 1: 30 (A3)

3 SECTION A
SCALE 1: 30 (A3)



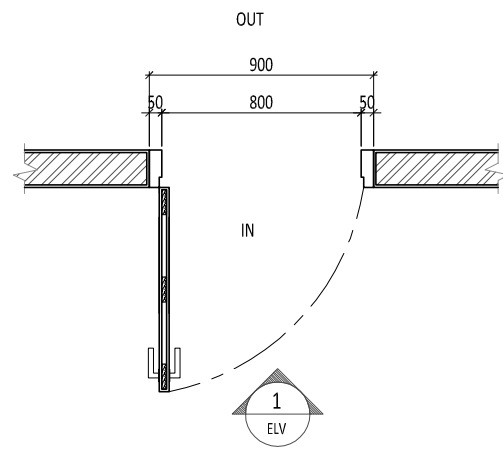
1 PLAN D-2
SCALE 1: 30 (A3)

Drawing Information : Drawn by : NR_Studio Project Architect : Studio Teras Structural Engineer : - ME Engineer : - Contractor : - COPYRIGHT NO PART OF THIS DOCUMENT MAY BE REPRODUCED, TRANSMITTED, OR RECORDED IN ANY FORM OF OTHERWISE WITHOUT PRIOR WRITTEN PERMISSION OF THE ARCHITECT/ENGINEERS.	Client :	Project :	NO.	DATE	REVISED / ISSUE	MARK	Legend :	Drawing Title :	Project No.	-	
		RUMAH SOLO	01.	11-10-2017	DD				DETAIL PINTU D-1 & D-2	Status	FOR CONSTRUCTION
			02.							Date	-
			03.							Scale	1: 30 A3
			04.							Drawing Number	
			05.							AR-04.004-01	
		06.									

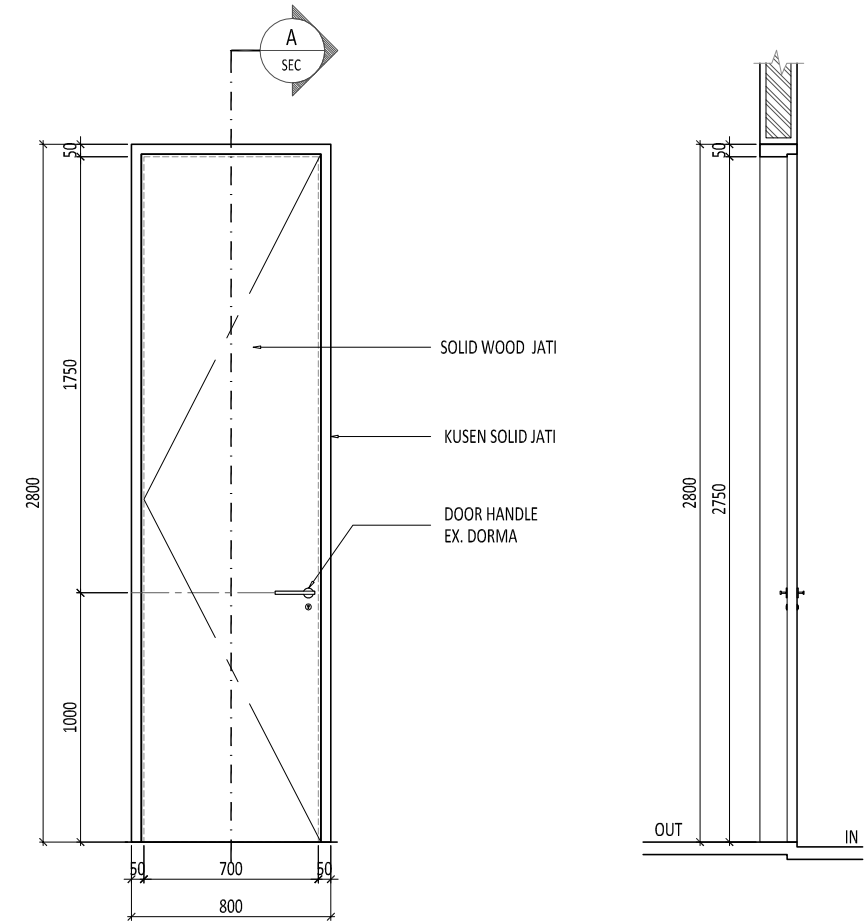


2 ELEVATION 1
SCALE 1: 30 (A3)

3 SECTION A
SCALE 1: 30 (A3)

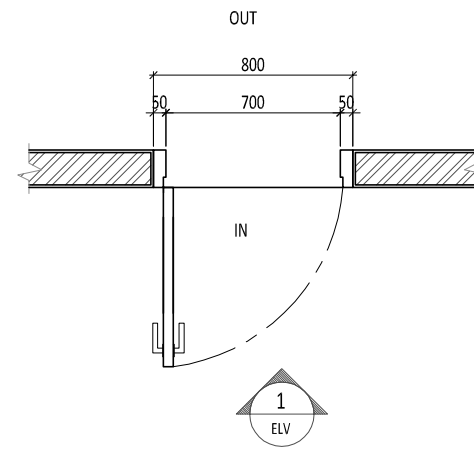


1 PLAN D-2'
SCALE 1: 30 (A3)



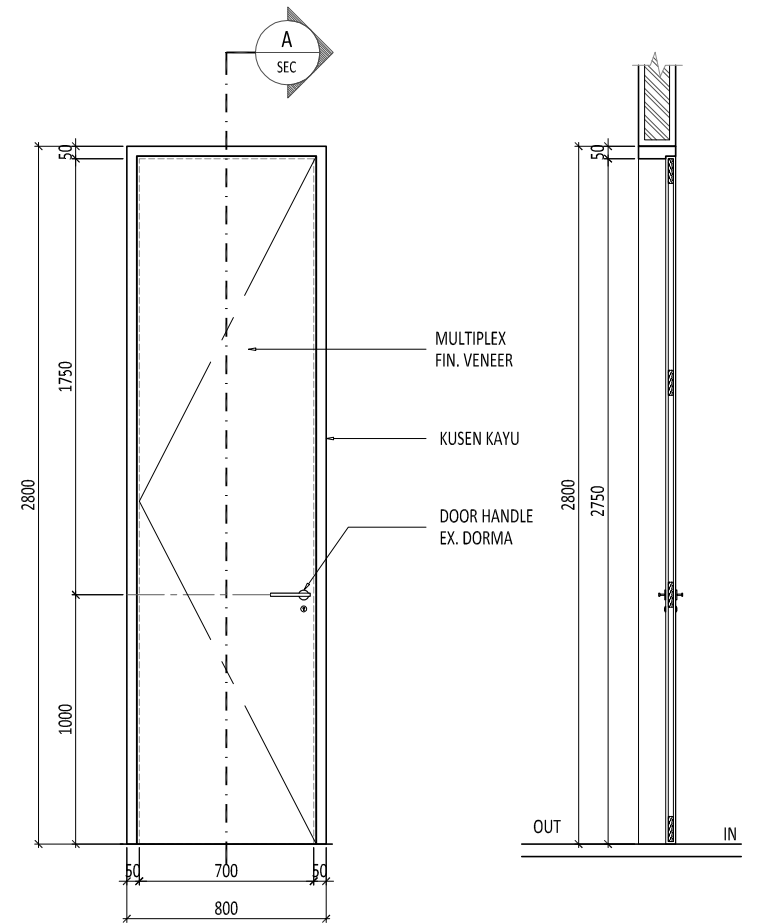
2 ELEVATION 1
SCALE 1: 30 (A3)

3 SECTION A
SCALE 1: 30 (A3)



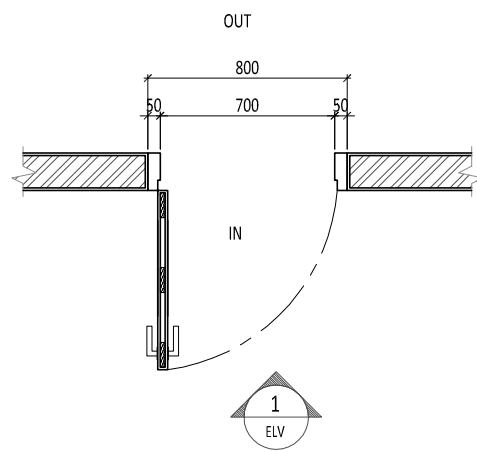
1 PLAN D-3
SCALE 1: 30 (A3)

Drawing Information : Drawn by : NR_Studio Project Architect : Studio Teras Structural Engineer : - ME Engineer : - Contractor : - COPYRIGHT NO PART OF THIS DOCUMENT MAY BE REPRODUCED, TRANSMITTED, OR RECORDED IN ANY FORM OF OTHERWISE WITHOUT PRIOR WRITTEN PERMISSION OF THE ARCHITECT/ENGINEERS.	Client :	Project : <p style="text-align: center;">RUMAH SOLO</p>	NO.	DATE	REVISED / ISSUE	MARK	Legend :	Drawing Title : <p style="text-align: center;">DETAIL PINTU D-2' & D-3</p>	Project No.	-
			01.	11-10-2017	DD				Status	FOR CONSTRUCTION
			02.						Date	-
			03.						Scale	1:30 A3
			04.						Drawing Number	
			05.						AR-04.004-02	
			06.							

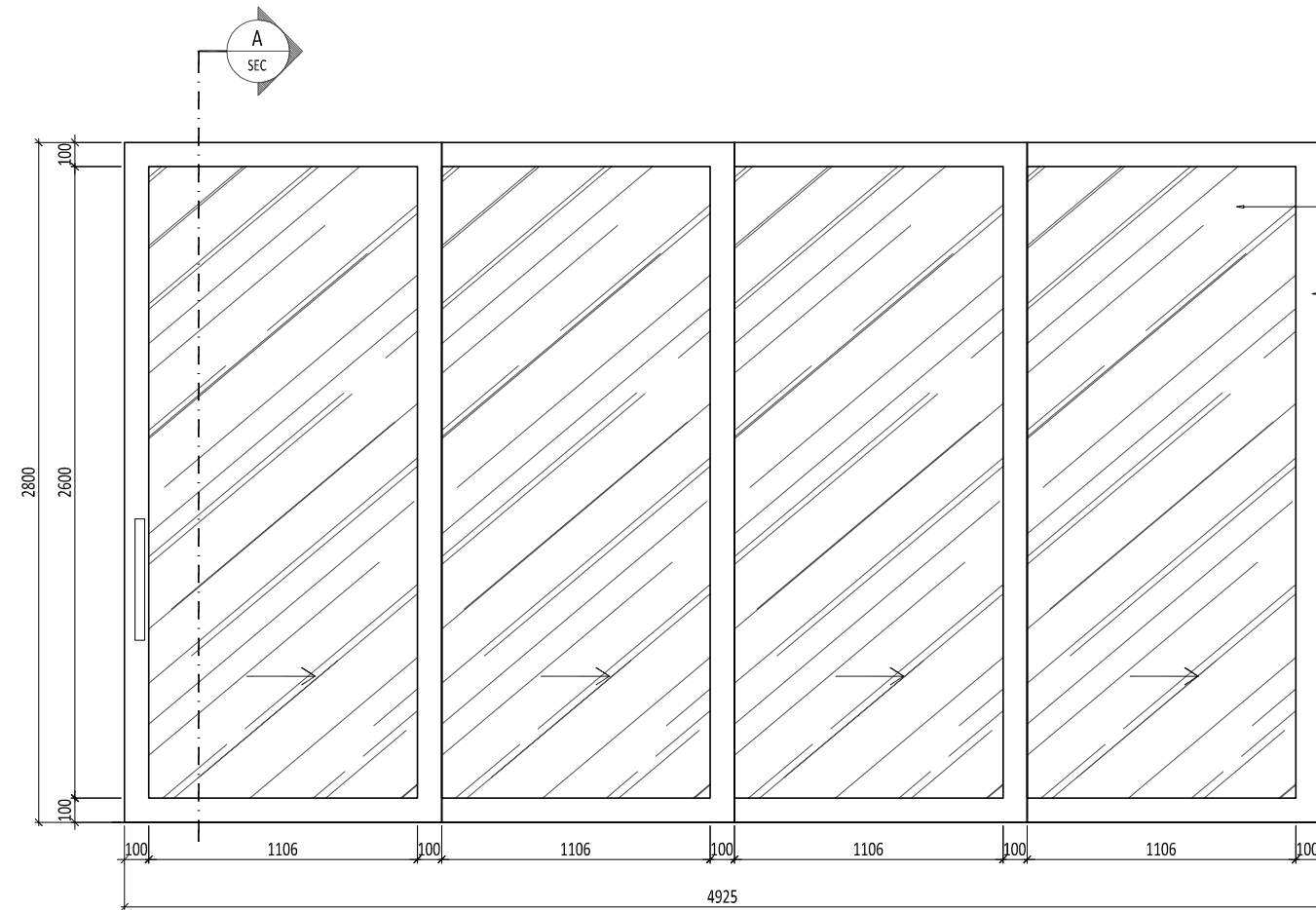


2 ELEVATION 1
SCALE 1: 30 (A3)

3 SECTION A
SCALE 1: 30 (A3)

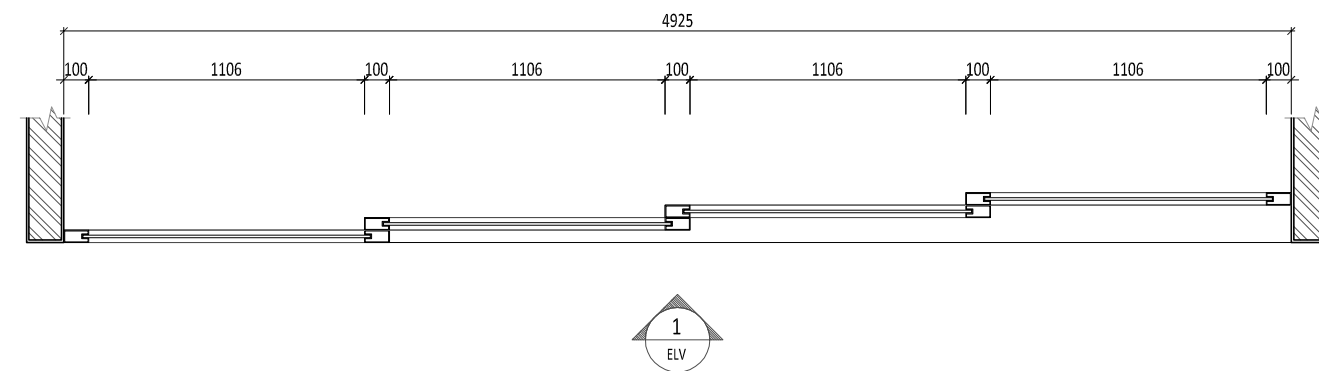


1 PLAN D-3'
SCALE 1: 30 (A3)



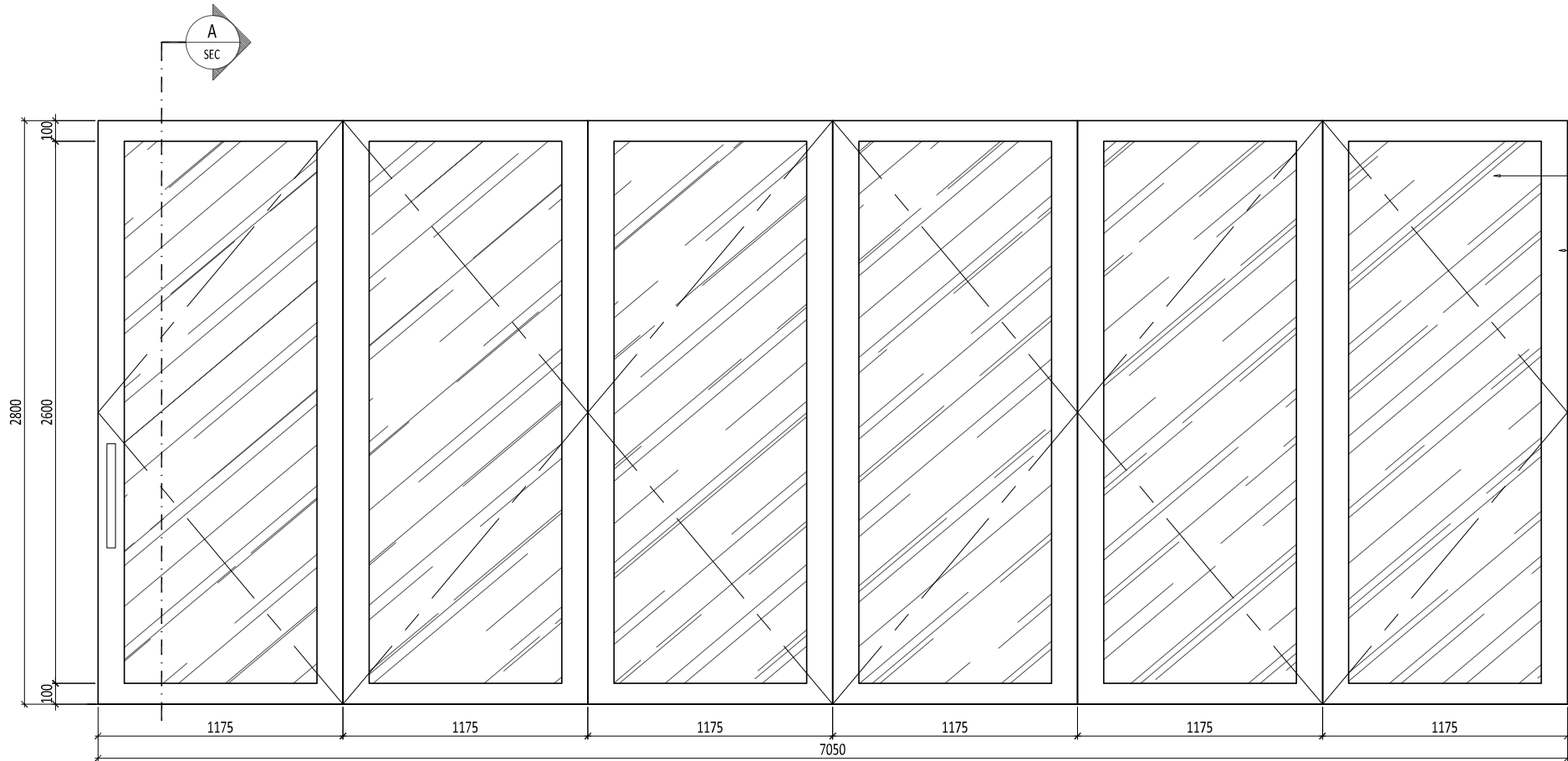
2 ELEVATION 1
SCALE 1: 30 (A3)

3 SECTION A
SCALE 1: 30 (A3)



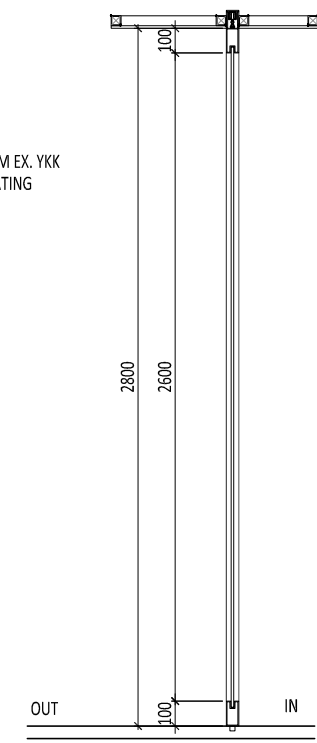
1 PLAN D-4
SCALE 1: 30 (A3)

Drawing Information : Drawn by : NR_Studio Project Architect : Studio Teras Structural Engineer : - ME Engineer : - Contractor : - COPYRIGHT NO PART OF THIS DOCUMENT MAY BE REPRODUCED, TRANSMITTED, OR RECORDED IN ANY FORM OF OTHERWISE WITHOUT PRIOR WRITTEN PERMISSION OF THE ARCHITECT/ENGINEERS.	Client : Project : RUMAH SOLO	NO. DATE REVISED / ISSUE MARK Legend :	Drawing Title : DETAIL PINTU D-3' & D-4	Project No. -																													
		<table border="1"> <tr><td>01.</td><td>11-10-2017</td><td>DD</td><td></td></tr> <tr><td>02.</td><td></td><td></td><td></td></tr> <tr><td>03.</td><td></td><td></td><td></td></tr> <tr><td>04.</td><td></td><td></td><td></td></tr> <tr><td>05.</td><td></td><td></td><td></td></tr> <tr><td>06.</td><td></td><td></td><td></td></tr> <tr><td>06.</td><td></td><td></td><td></td></tr> <tr><td>06.</td><td></td><td></td><td></td></tr> </table>		01.	11-10-2017	DD		02.				03.				04.				05.				06.				06.				06.	
01.	11-10-2017	DD																															
02.																																	
03.																																	
04.																																	
05.																																	
06.																																	
06.																																	
06.																																	



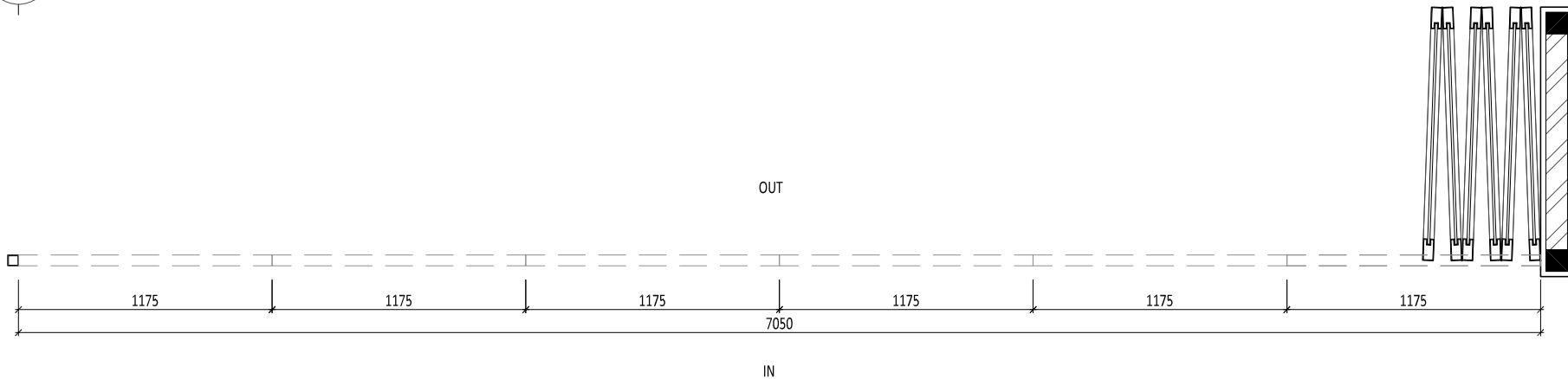
CLEAR GLASS
10 MM

KUSEN ALUMINIUM EX. YKK
FIN. POWDER COATING
BRILLIANT WHITE

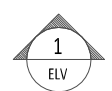


2 ELEVATION 1
SCALE 1: 30 (A3)

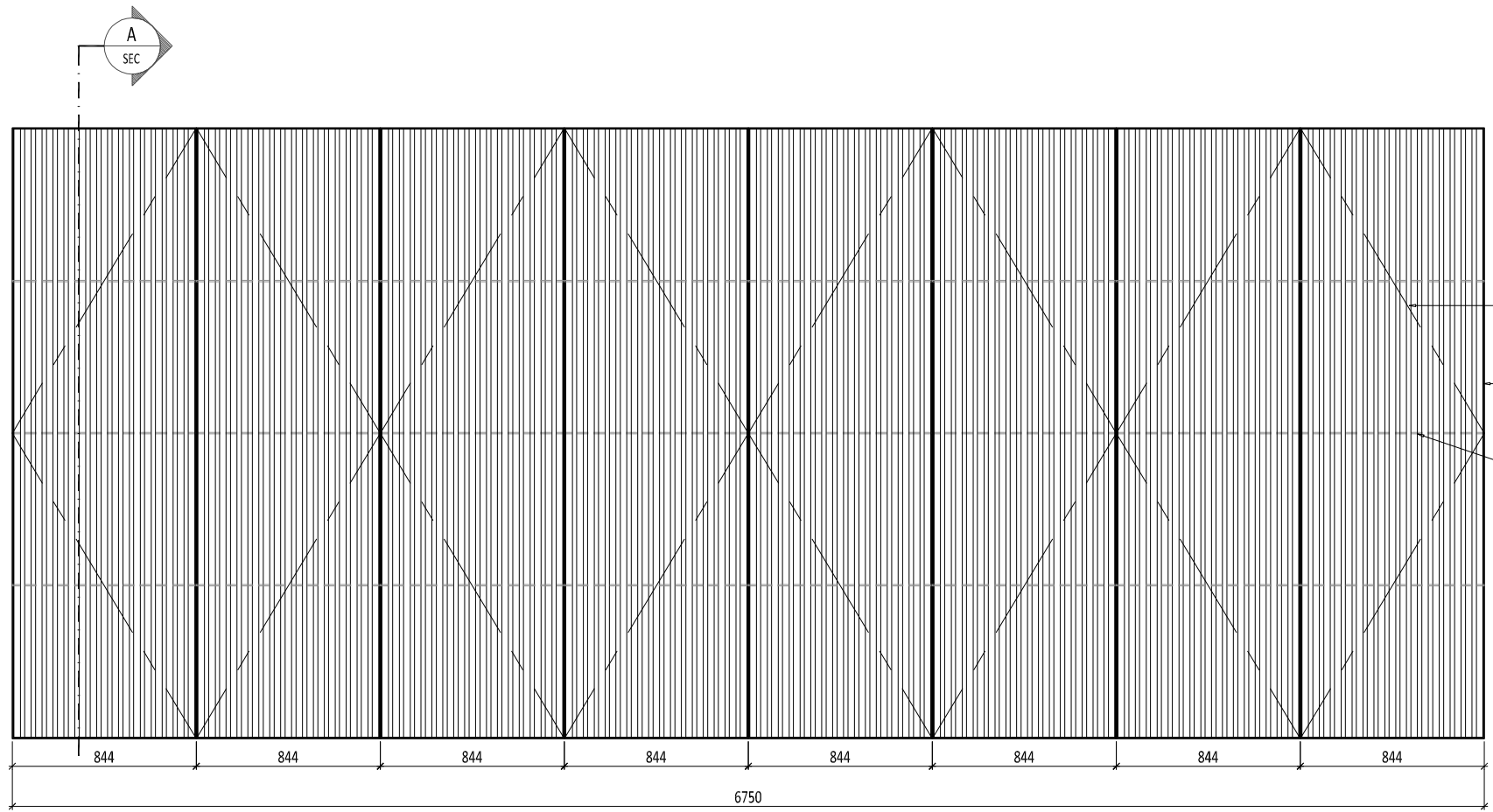
3 SECTION A
SCALE 1: 30 (A3)



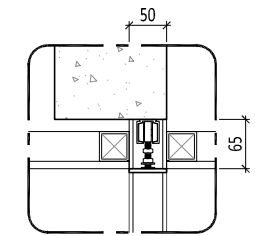
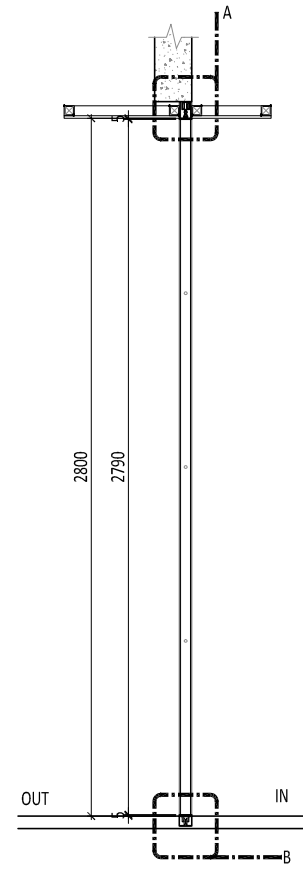
1 PLAN D-5
SCALE 1: 30 (A3)



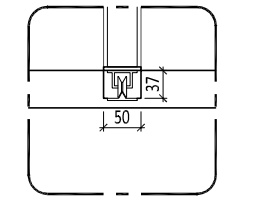
Drawing Information : Drawn by : NR_Studio Project Architect : Studio Teras Structural Engineer : - ME Engineer : - Contractor : - COPYRIGHT NO PART OF THIS DOCUMENT MAY BE REPRODUCED, TRANSMITTED, OR RECORDED IN ANY FORM OF OTHERWISE WITHOUT PRIOR WRITTEN PERMISSION OF THE ARCHITECT/ENGINEERS.	Client :	Project : RUMAH SOLO	NO.	DATE	REVISED / ISSUE	MARK	Legend :	Drawing Title : DETAIL PINTU D-5	Project No.	-
			01.	11-10-2017	DD				Status	FOR CONSTRUCTION
			02.						Date	-
			03.						Scale	1:30 A3
			04.						Drawing Number	
			05.						AR-04.004-04	
06.										
06.										
06.										



GRILL SOLID JATI
 FRAME BESI 5mm
 FIN. BLACK PAINT
 BESI Ø 6mm
 FIN. BLACK PAINT

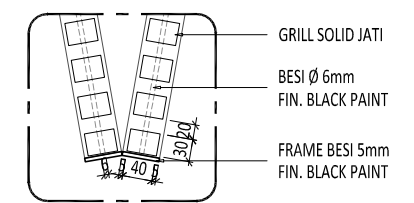


4 DETAIL A
 SCALE 1: 10 (A3)



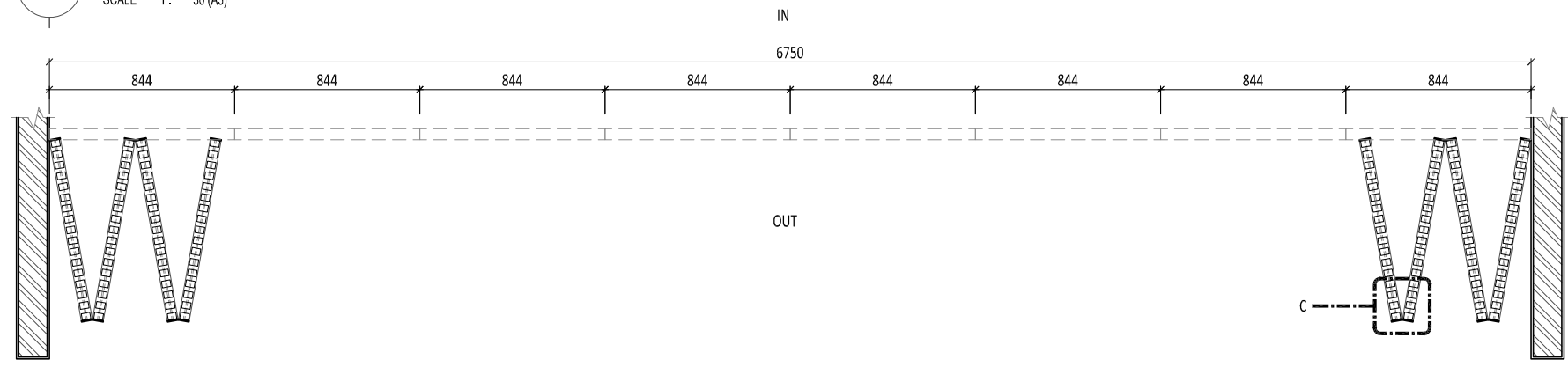
5 DETAIL B
 SCALE 1: 10 (A3)

3 SECTION A
 SCALE 1: 30 (A3)



6 DETAIL C
 SCALE 1: 10 (A3)

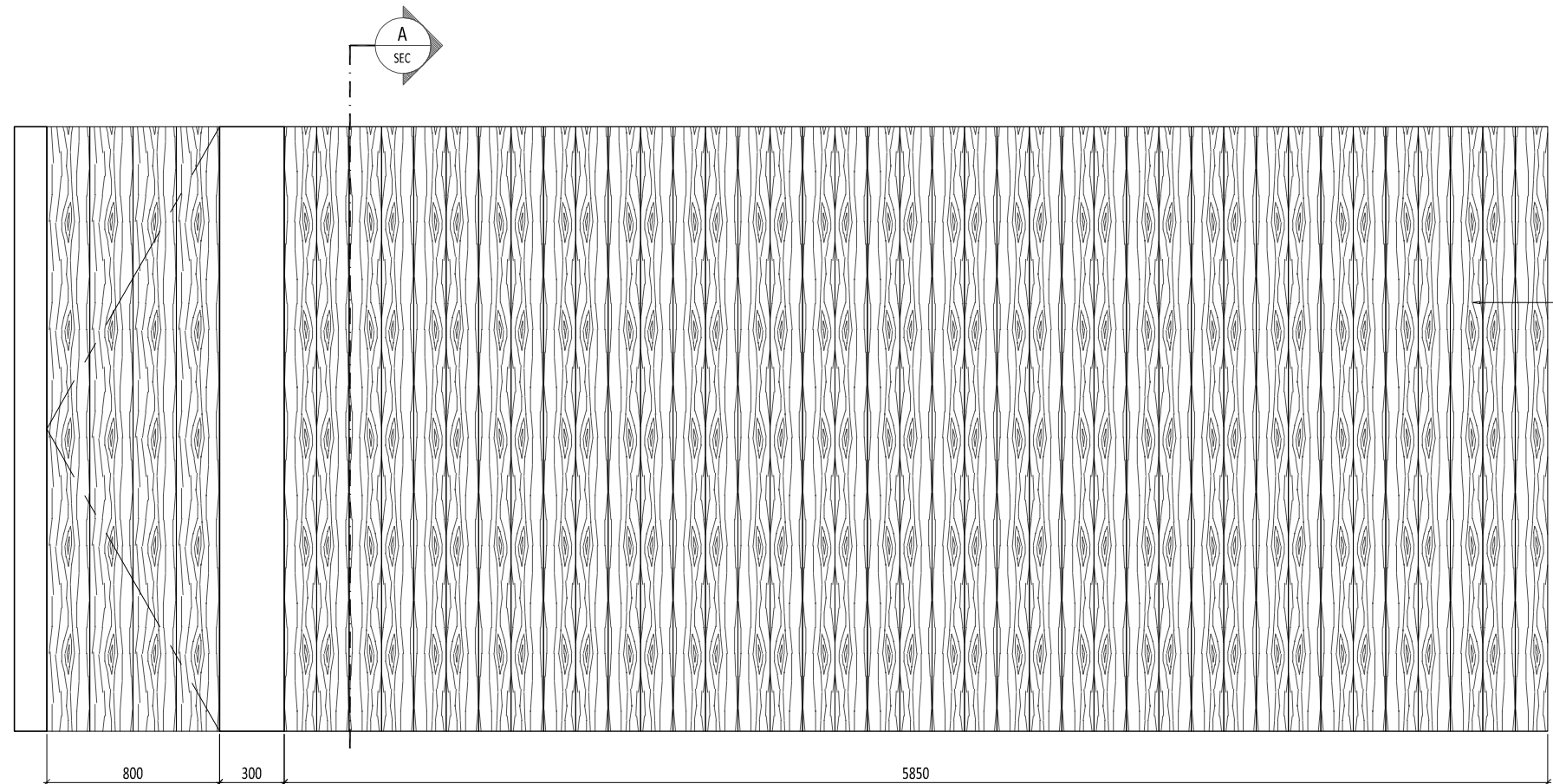
2 ELEVATION 1
 SCALE 1: 30 (A3)



1 PLAN D-6
 SCALE 1: 30 (A3)

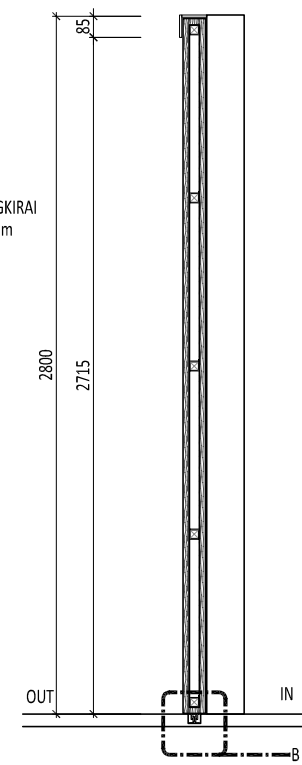
1 ELV

Drawing Information : Drawn by : NR_Studio Project Architect : Studio Teras Structural Engineer : - ME Engineer : - Contractor : - COPYRIGHT NO PART OF THIS DOCUMENT MAY BE REPRODUCED, TRANSMITTED, OR RECORDED IN ANY FORM OF OTHERWISE WITHOUT PRIOR WRITTEN PERMISSION OF THE ARCHITECT/ENGINEERS.	Client : Project : RUMAH SOLO	NO. DATE REVISED / ISSUE MARK Legend :	Drawing Title : DETAIL PINTU D-6	Project No. -
		01. 11-10-2017 DD		Status FOR CONSTRUCTION
		02.		Date -
		03.		Scale 1: 30 A3
		04.		Drawing Number
		05.		AR-04.004-05

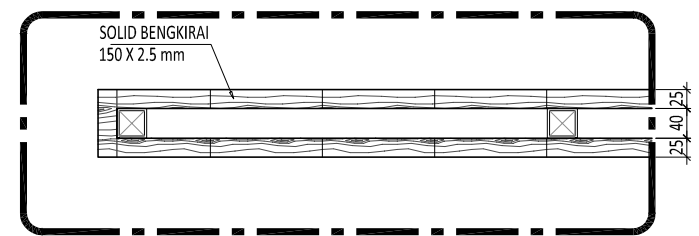


2 ELEVATION 1
SCALE 1: 30 (A3)

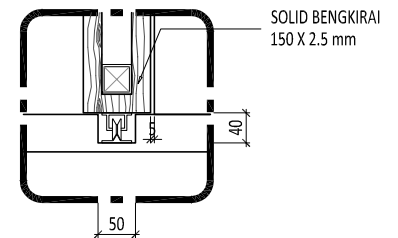
SOLID BENGKIRAI
150 X 2.5 mm



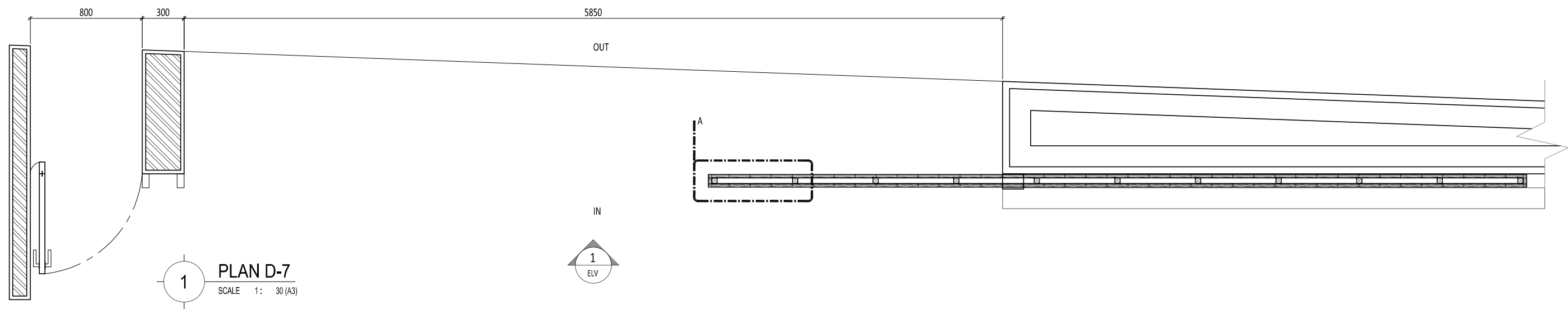
3 SECTION A
SCALE 1: 30 (A3)



4 DETAIL A
SCALE 1: 10 (A3)

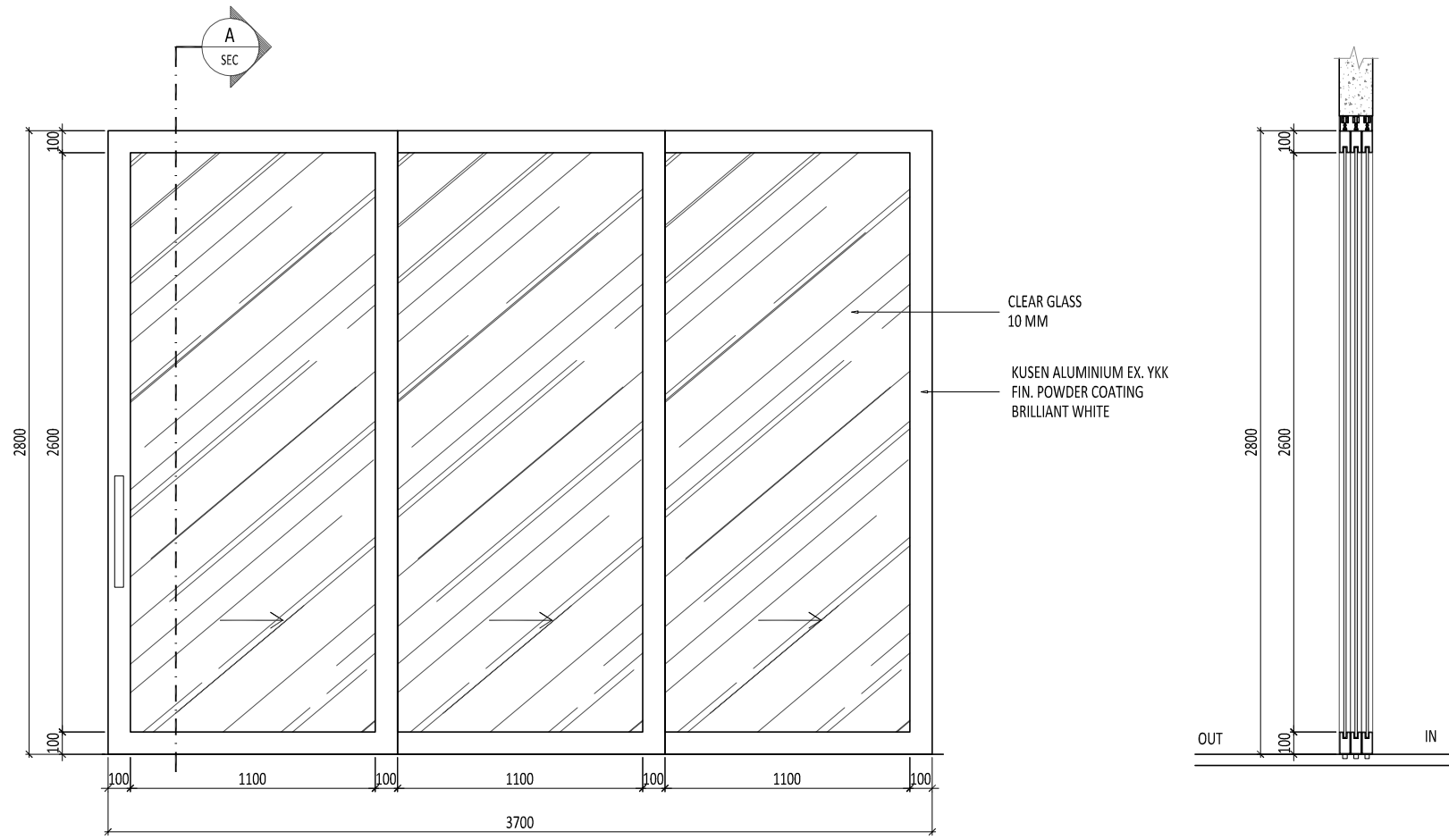


5 DETAIL B
SCALE 1: 10 (A3)



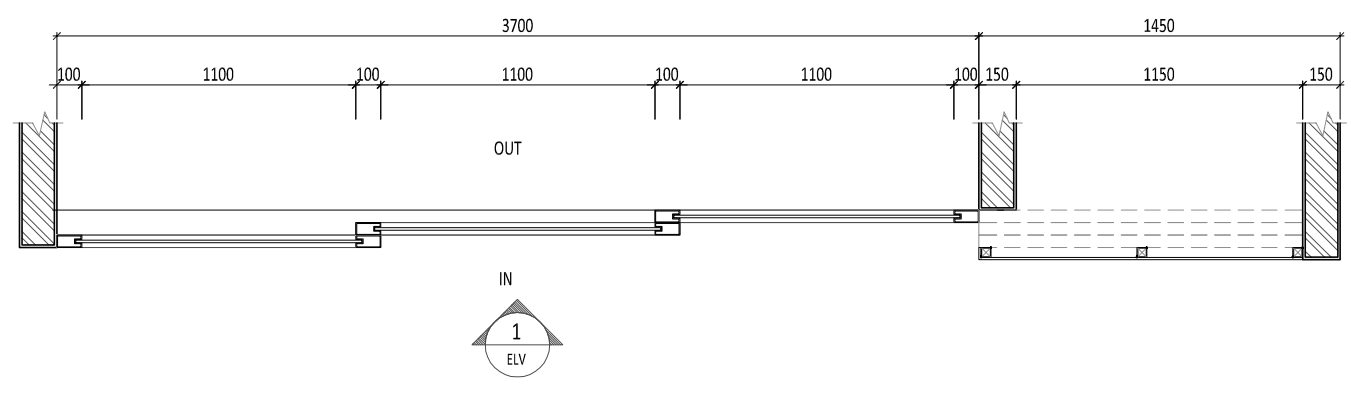
1 PLAN D-7
SCALE 1: 30 (A3)

Drawing Information : Drawn by : NR_Studio Project Architect : Studio Teras Structural Engineer : - ME Engineer : - Contractor : - COPYRIGHT NO PART OF THIS DOCUMENT MAY BE REPRODUCED, TRANSMITTED, OR RECORDED IN ANY FORM OF OTHERWISE WITHOUT PRIOR WRITTEN PERMISSION OF THE ARCHITECT/ENGINEERS.	Client :	Project : RUMAH SOLO	NO.	DATE	REVISED / ISSUE	MARK	Legend :	Drawing Title : DETAIL PINTU D-7	Project No.	-
			01.	11-10-2017	DD				Status	FOR CONSTRUCTION
			02.						Date	-
			03.						Scale	1: 30 A3
			04.						Drawing Number	
			05.						AR-04.004-06	
06.										
06.										
06.										



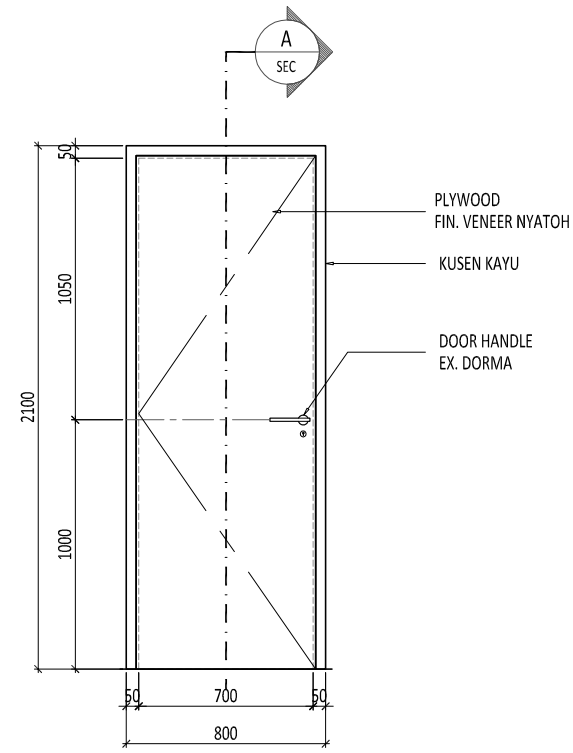
2 ELEVATION 1
SCALE 1: 30 (A3)

3 SECTION A
SCALE 1: 30 (A3)

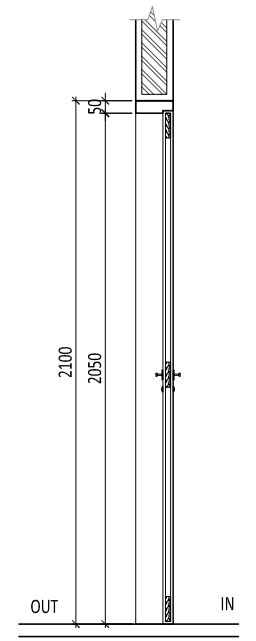


1 PLAN D-8
SCALE 1: 30 (A3)

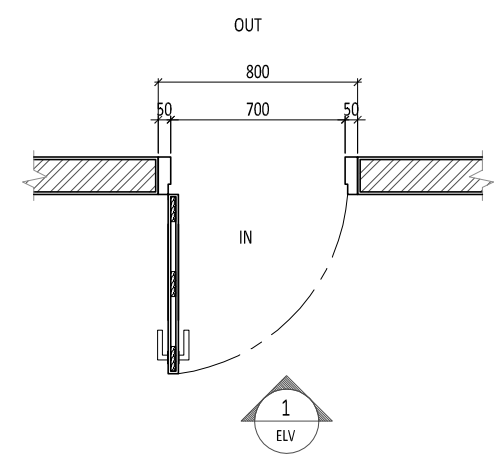
Drawing Information : Drawn by : NR_Studio Project Architect : Studio Teras Structural Engineer : - ME Engineer : - Contractor : - COPYRIGHT NO PART OF THIS DOCUMENT MAY BE REPRODUCED, TRANSMITTED, OR RECORDED IN ANY FORM OF OTHERWISE WITHOUT PRIOR WRITTEN PERMISSION OF THE ARCHITECT/ENGINEERS.	Client :	Project :	NO.	DATE	REVISED / ISSUE	MARK	Legend :	Drawing Title :	Project No.	-	
		RUMAH SOLO	01.	11-10-2017	DD			DETAIL PINTU D-8	Status	FOR CONSTRUCTION	
			02.						Date	-	
			03.						Scale	1:30	A3
			04.						Drawing Number		
			05.						AR-04.004-07		
		06.									
		06.									
		06.									



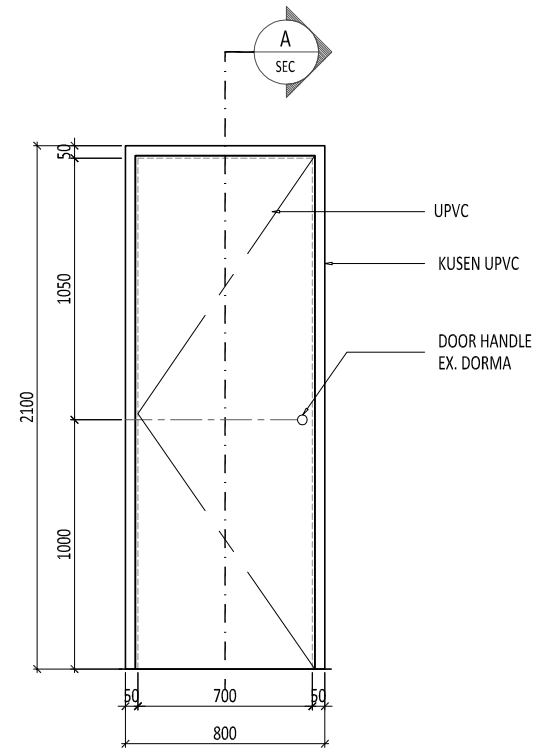
2 ELEVATION 1
SCALE 1: 30 (A3)



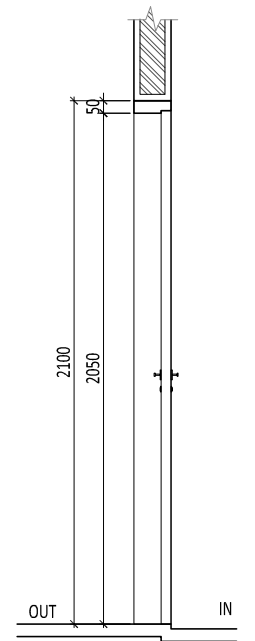
3 SECTION A
SCALE 1: 30 (A3)



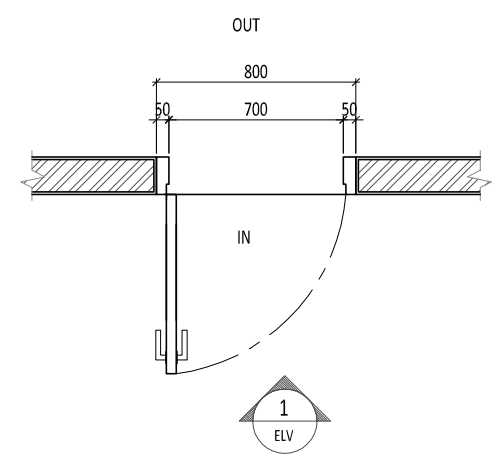
1 PLAN D-9
SCALE 1: 30 (A3)



2 ELEVATION 1
SCALE 1: 30 (A3)

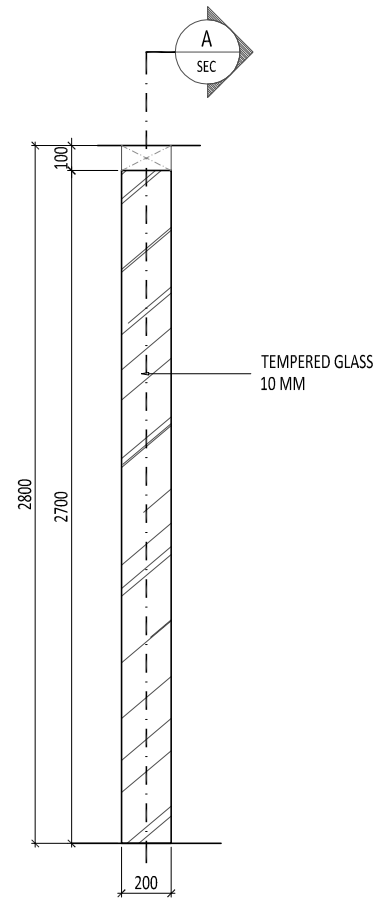


3 SECTION A
SCALE 1: 30 (A3)

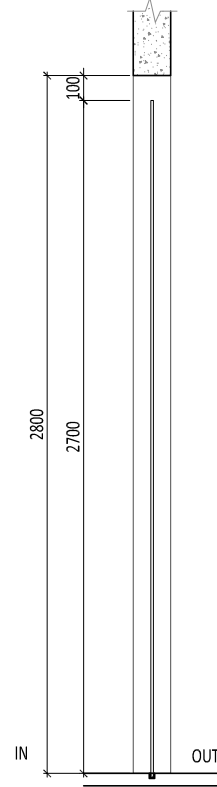


1 PLAN D-9'
SCALE 1: 30 (A3)

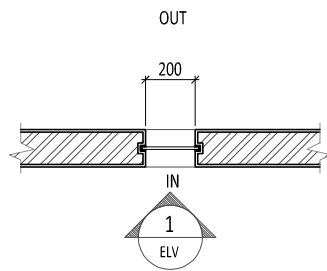
Drawing Information : Drawn by : NR_Studio Project Architect : Studio Teras Structural Engineer : - ME Engineer : - Contractor : - COPYRIGHT NO PART OF THIS DOCUMENT MAY BE REPRODUCED, TRANSMITTED, OR RECORDED IN ANY FORM OF OTHERWISE WITHOUT PRIOR WRITTEN PERMISSION OF THE ARCHITECT/ENGINEERS.	Client : Project : RUMAH SOLO	NO. DATE REVISED / ISSUE MARK Legend :	Drawing Title : DETAIL PINTU D-9 & D-9'	Project No. -
		01. 11-10-2017 DD		Status FOR CONSTRUCTION
		02.		Date -
		03.		Scale 1: 30 A3
		04.		Drawing Number
		05.		AR-04.004-08



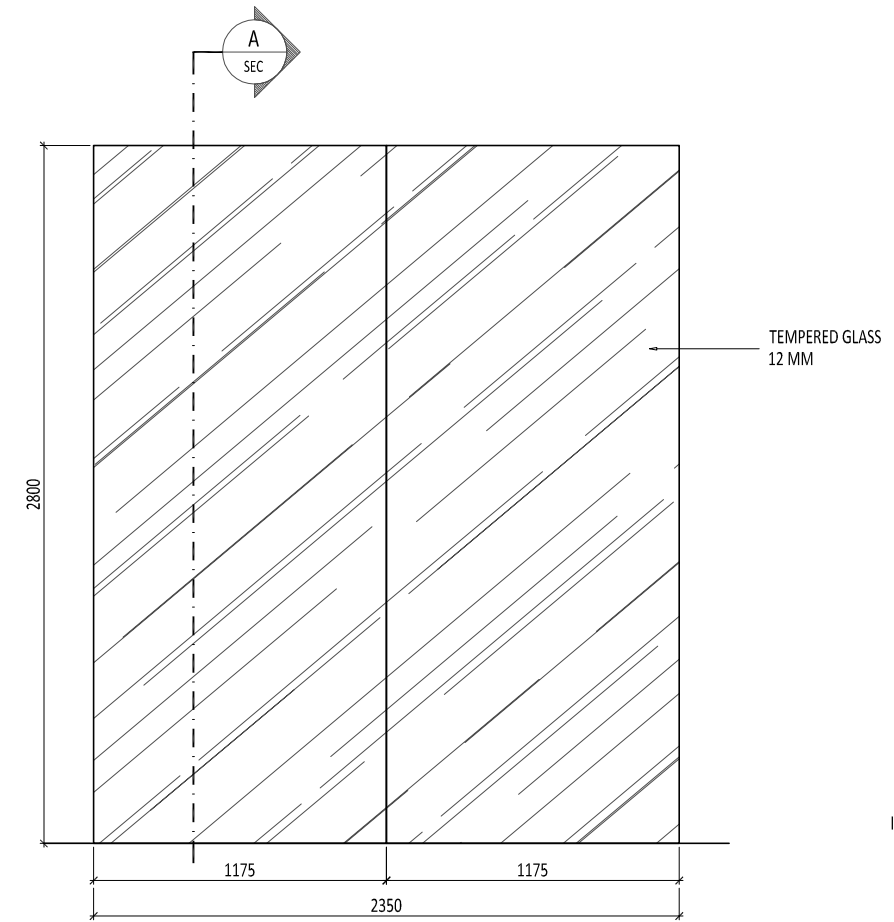
2 ELEVATION 1
SCALE 1: 30 (A3)



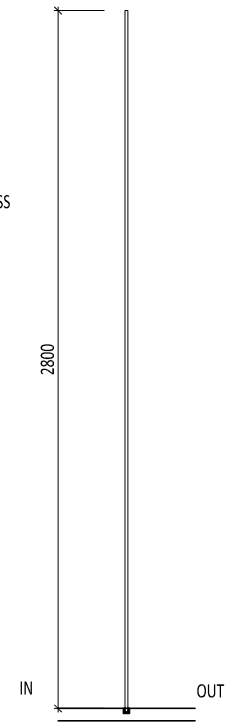
3 SECTION A
SCALE 1: 30 (A3)



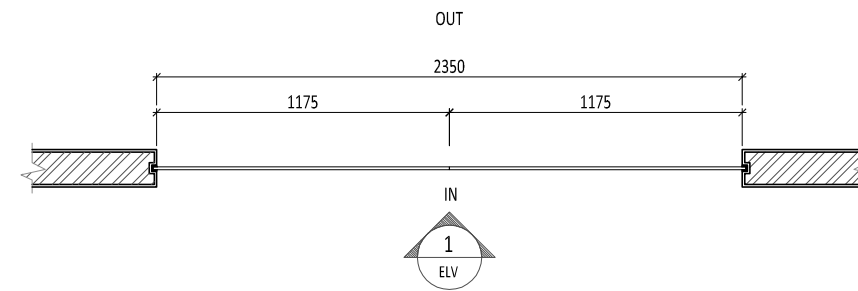
1 PLAN W-1
SCALE 1: 30 (A3)



2 ELEVATION 1
SCALE 1: 30 (A3)

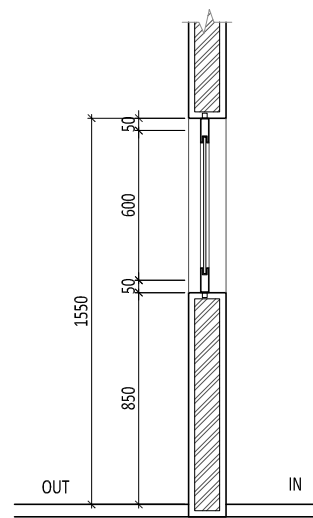
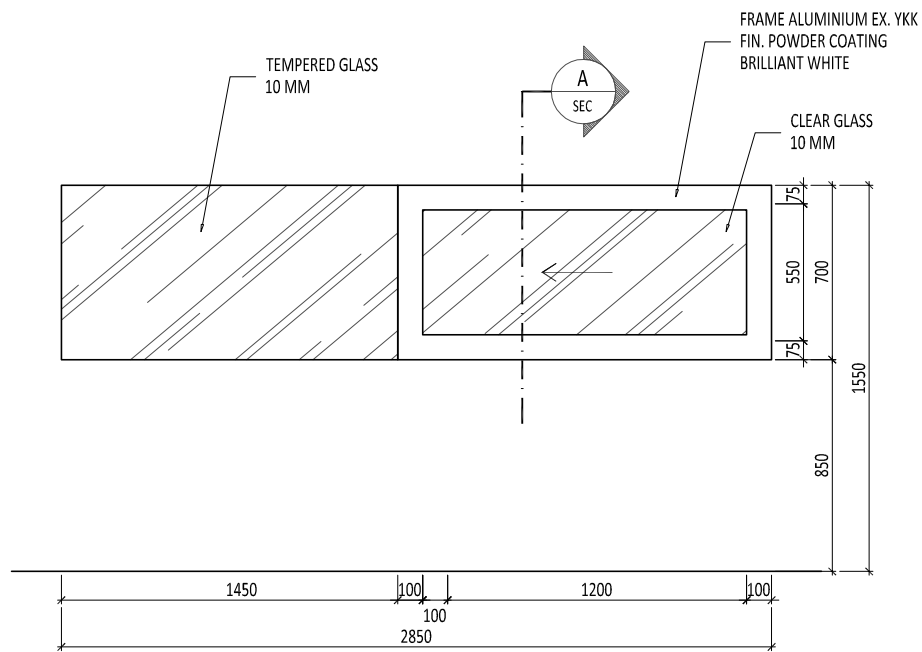


3 SECTION A
SCALE 1: 30 (A3)



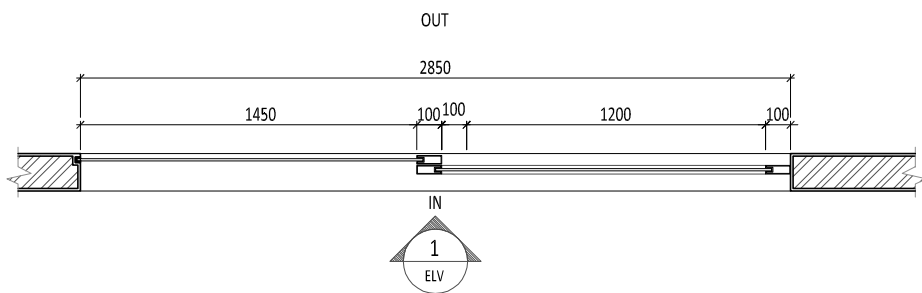
1 PLAN W-2
SCALE 1: 30 (A3)

Drawing Information : Drawn by : NR_Studio Project Architect : Studio Teras Structural Engineer : - ME Engineer : - Contractor : - COPYRIGHT NO PART OF THIS DOCUMENT MAY BE REPRODUCED, TRANSMITTED, OR RECORDED IN ANY FORM OF OTHERWISE WITHOUT PRIOR WRITTEN PERMISSION OF THE ARCHITECT/ENGINEERS.	Client : Project : RUMAH SOLO	NO. DATE REVISED / ISSUE MARK Legend :	Drawing Title : DETAIL JENDELA W-1 & W-2	Project No. -																													
		<table border="1"> <tr><td>01.</td><td>11-10-2017</td><td>DD</td><td></td></tr> <tr><td>02.</td><td></td><td></td><td></td></tr> <tr><td>03.</td><td></td><td></td><td></td></tr> <tr><td>04.</td><td></td><td></td><td></td></tr> <tr><td>05.</td><td></td><td></td><td></td></tr> <tr><td>06.</td><td></td><td></td><td></td></tr> <tr><td>06.</td><td></td><td></td><td></td></tr> <tr><td>06.</td><td></td><td></td><td></td></tr> </table>		01.	11-10-2017	DD		02.				03.				04.				05.				06.				06.				06.	
01.	11-10-2017	DD																															
02.																																	
03.																																	
04.																																	
05.																																	
06.																																	
06.																																	
06.																																	

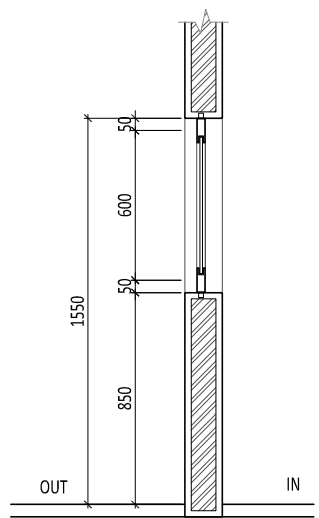
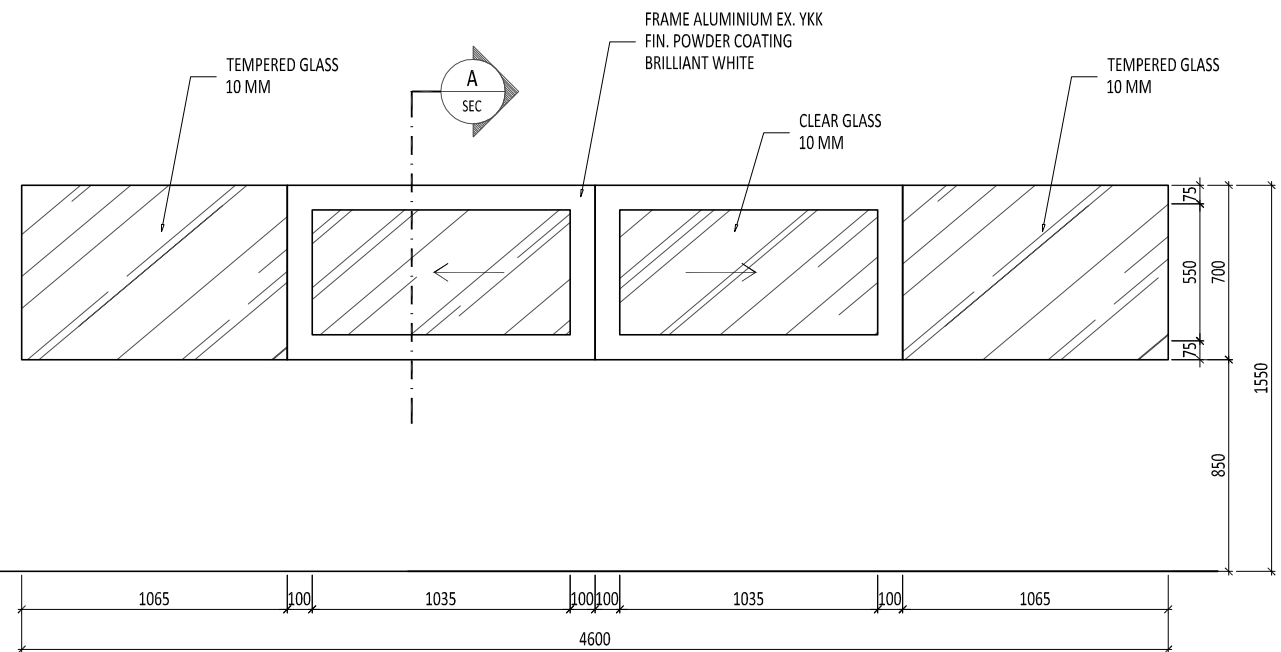


2 ELEVATION 1
SCALE 1: 30 (A3)

3 SECTION A
SCALE 1: 30 (A3)

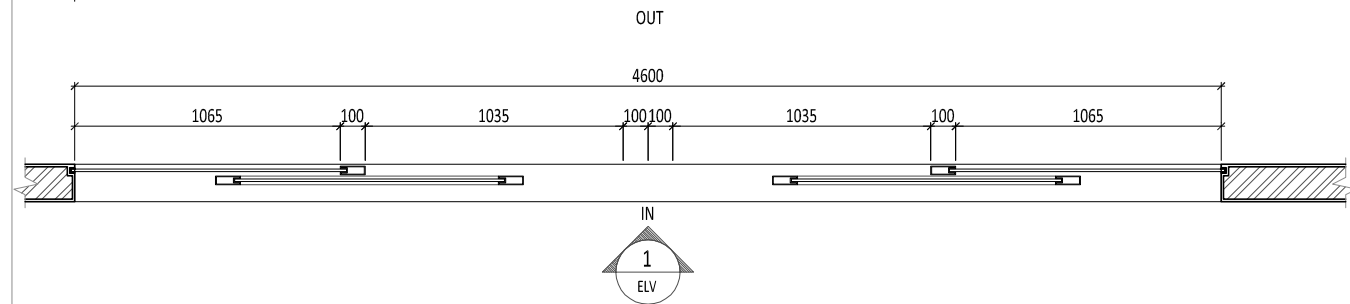


1 PLAN W-3
SCALE 1: 30 (A3)



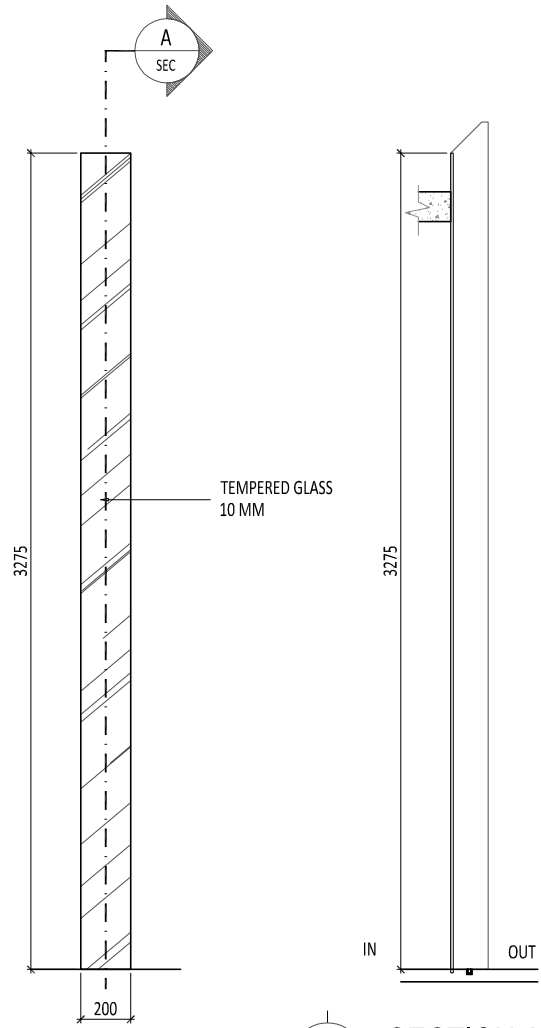
2 ELEVATION 1
SCALE 1: 30 (A3)

3 SECTION A
SCALE 1: 30 (A3)



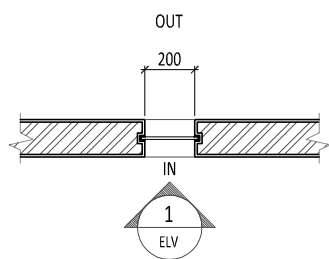
1 PLAN W-4
SCALE 1: 30 (A3)

Drawing Information : Drawn by : NR_Studio Project Architect : Studio Teras Structural Engineer : - ME Engineer : - Contractor : - COPYRIGHT NO PART OF THIS DOCUMENT MAY BE REPRODUCED, TRANSMITTED, OR RECORDED IN ANY FORM OF OTHERWISE WITHOUT PRIOR WRITTEN PERMISSION OF THE ARCHITECT/ENGINEERS.	Client : Project : RUMAH SOLO	NO. DATE REVISED / ISSUE MARK Legend :	Drawing Title : DETAIL JENDELA W-3 & W-4	Project No. -
		01. 11-10-2017 DD		Status FOR CONSTRUCTION
		02.		Date -
		03.		Scale 1: 30 A3
		04.		Drawing Number
		05.		AR-04.004-10

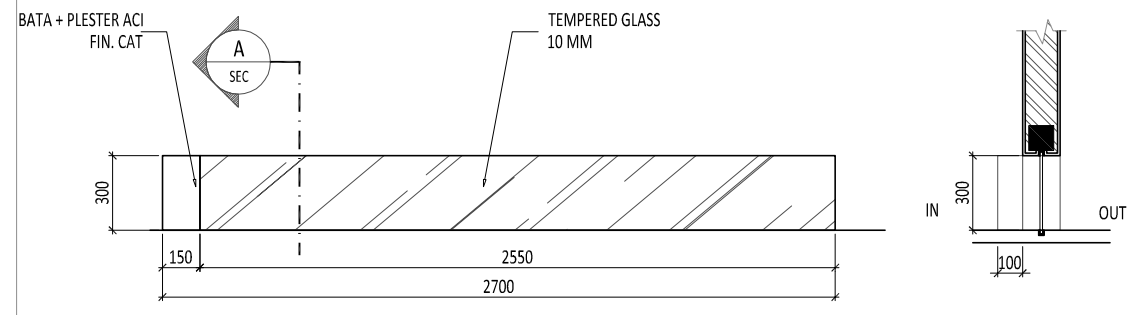


2 ELEVATION 1
SCALE 1: 30 (A3)

3 SECTION A
SCALE 1: 30 (A3)

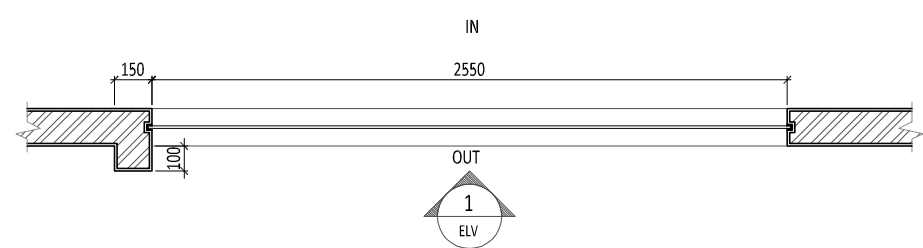


1 PLAN W-5
SCALE 1: 30 (A3)

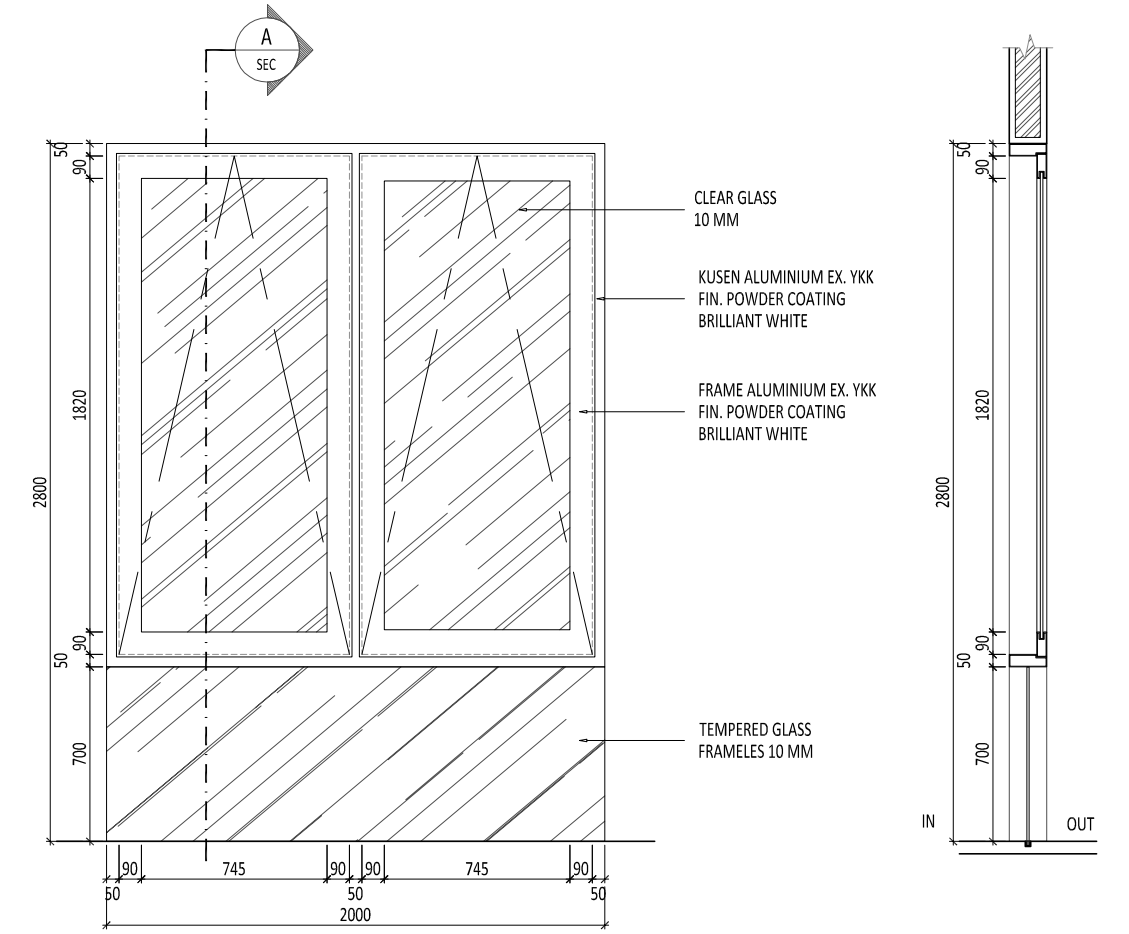


2 ELEVATION 1
SCALE 1: 30 (A3)

3 SECTION A
SCALE 1: 30 (A3)

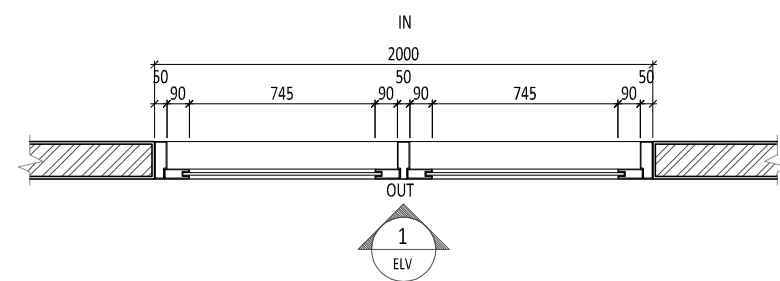


1 PLAN W-6
SCALE 1: 30 (A3)



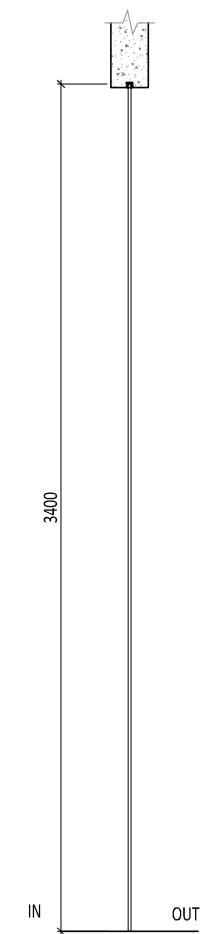
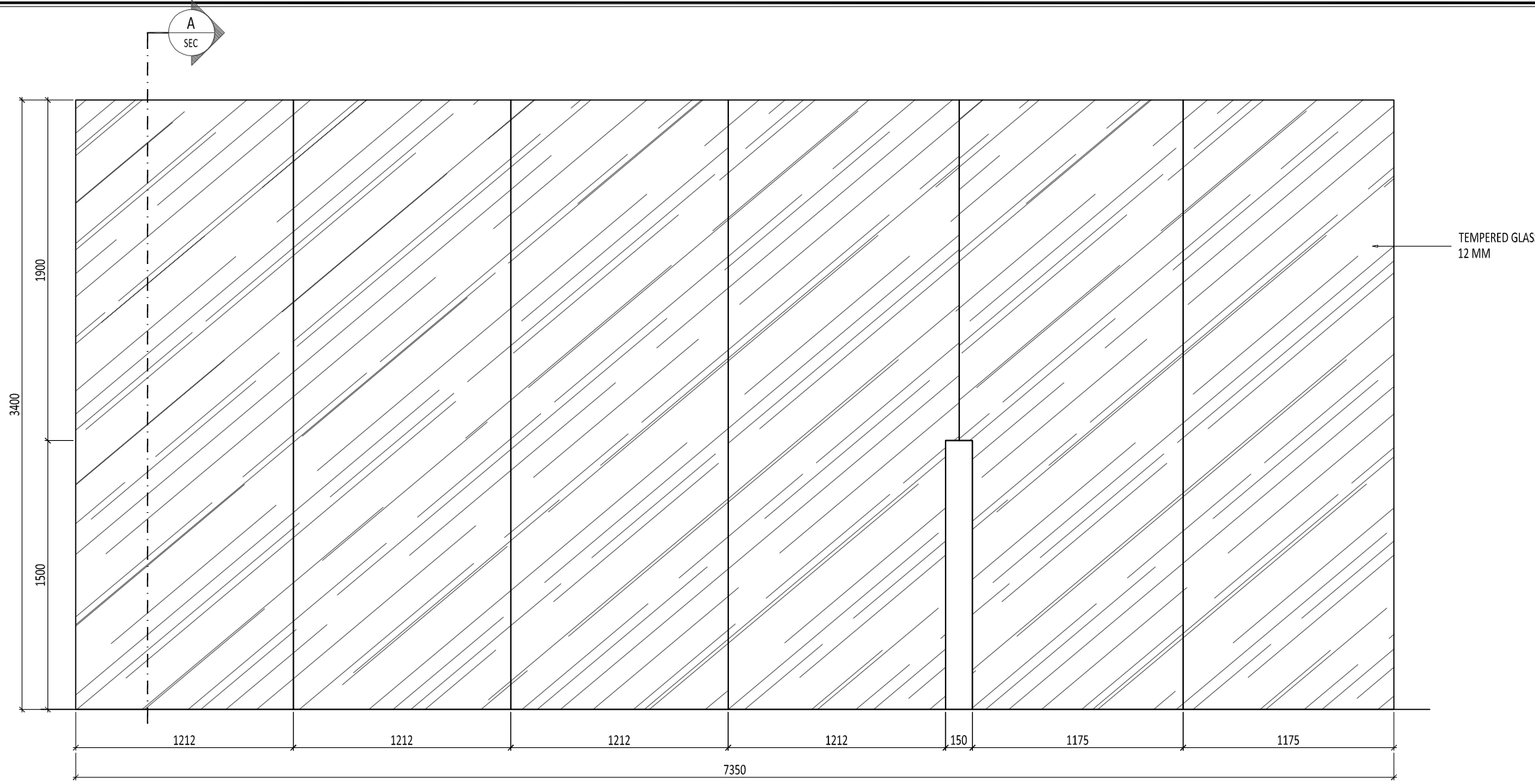
2 ELEVATION 1
SCALE 1: 30 (A3)

3 SECTION A
SCALE 1: 30 (A3)



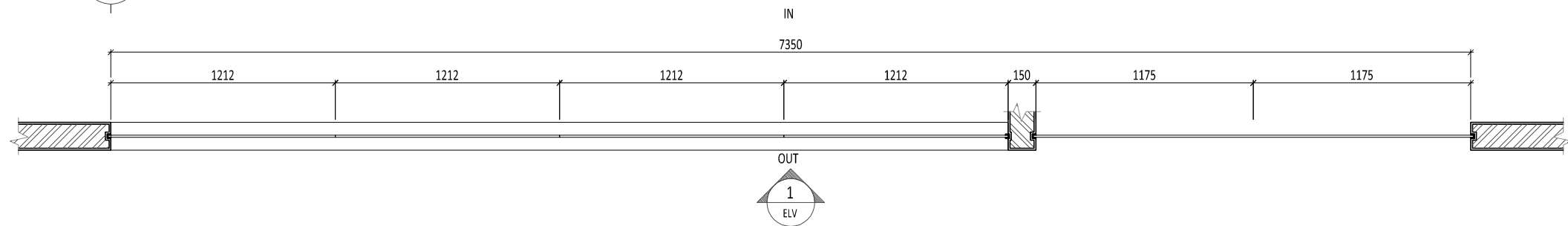
1 PLAN W-7
SCALE 1: 30 (A3)

Drawing Information : Drawn by : NR_Studio Project Architect : Studio Teras Structural Engineer : - ME Engineer : - Contractor : - COPYRIGHT NO PART OF THIS DOCUMENT MAY BE REPRODUCED, TRANSMITTED, OR RECORDED IN ANY FORM OF OTHERWISE WITHOUT PRIOR WRITTEN PERMISSION OF THE ARCHITECT/ENGINEERS.	Client : RUMAH SOLO	Project : RUMAH SOLO	NO.	DATE	REVISED / ISSUE	MARK	Legend : 	Drawing Title : DETAIL JENDELA W-5, W-6 & W-7	Project No.	-
			01.	11-10-2017	DD				Status	FOR CONSTRUCTION
			02.						Date	-
			03.						Scale	1: 30 A3
			04.						Drawing Number	
			05.						AR-04.004-11	
06.										
06.										



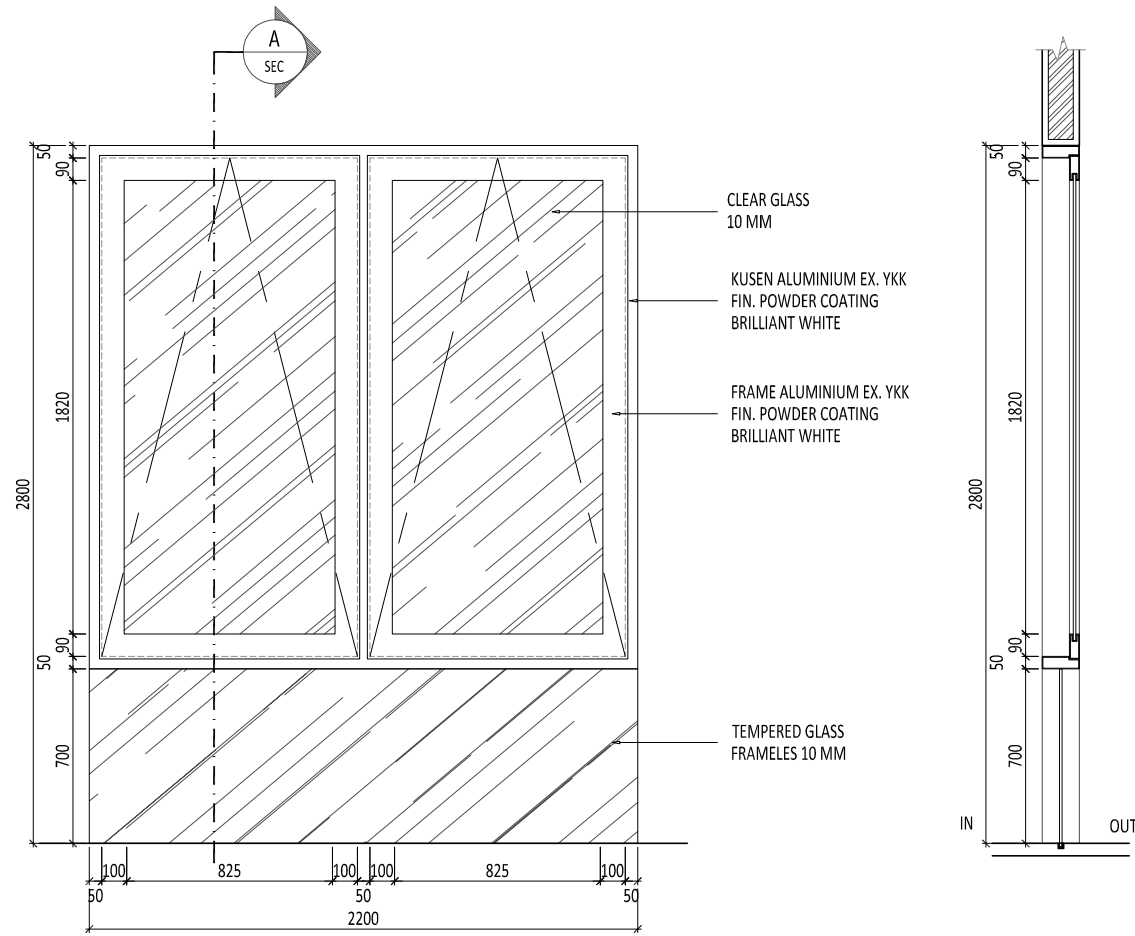
2 ELEVATION 1
SCALE 1: 30 (A3)

3 SECTION A
SCALE 1: 30 (A3)



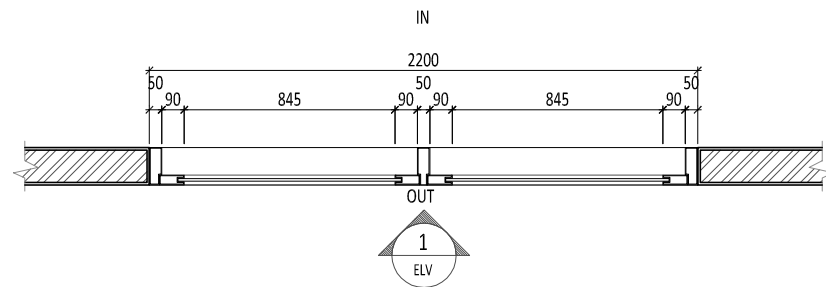
1 PLAN W-8
SCALE 1: 30 (A3)

Drawing Information : Drawn by : NR_Studio Project Architect : Studio Teras Structural Engineer : - ME Engineer : - Contractor : - COPYRIGHT NO PART OF THIS DOCUMENT MAY BE REPRODUCED, TRANSMITTED, OR RECORDED IN ANY FORM OF OTHERWISE WITHOUT PRIOR WRITTEN PERMISSION OF THE ARCHITECT/ENGINEERS.	Client :	Project :	NO.	DATE	REVISED / ISSUE	MARK	Legend :	Drawing Title :	Project No.	-	
		RUMAH SOLO	01.	11-10-2017	DD				DETAIL JENDELA W-8	Status	FOR CONSTRUCTION
			02.							Date	-
			03.							Scale	1:30 A3
			04.							Drawing Number	
			05.							AR-04.004-12	
			06.								

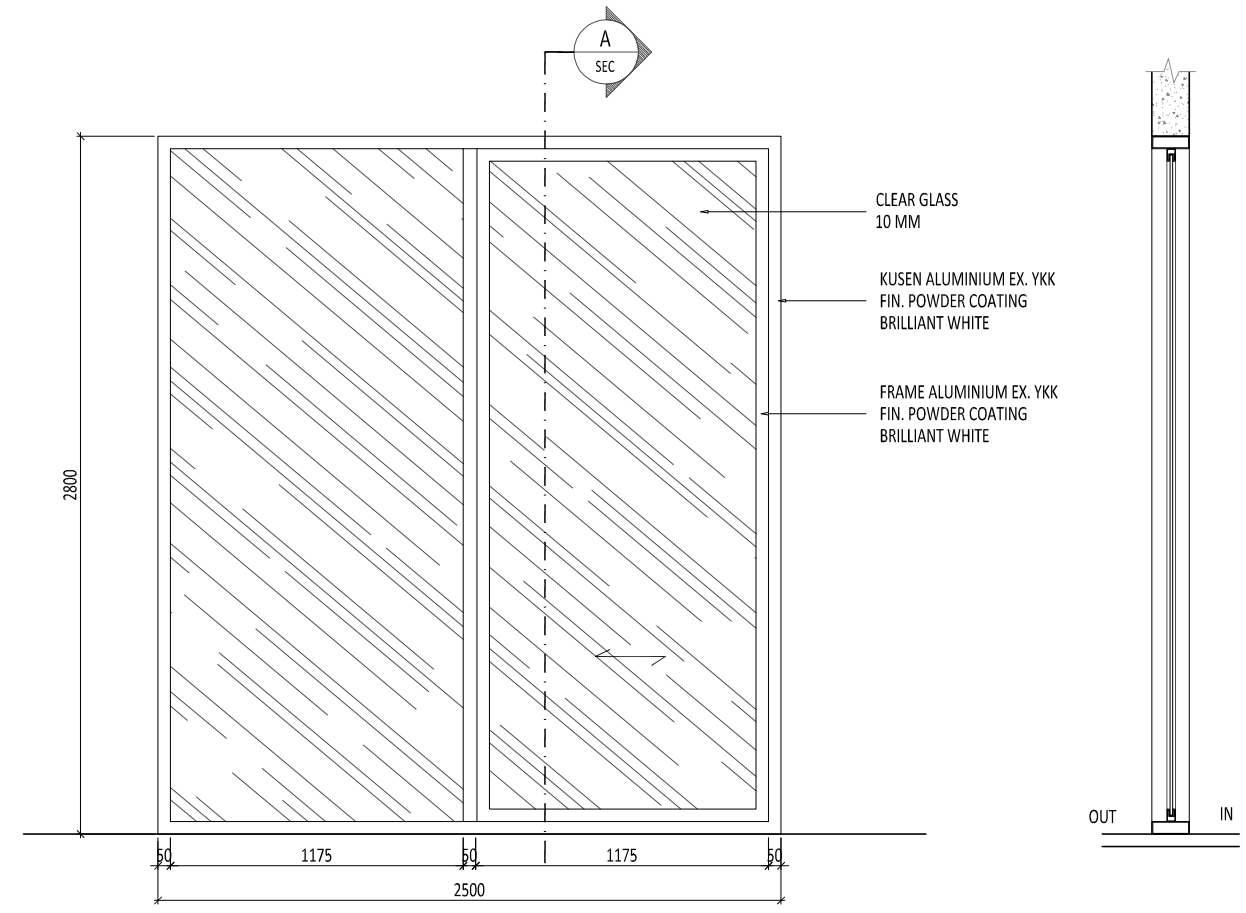


2 ELEVATION 1
SCALE 1: 30 (A3)

3 SECTION A
SCALE 1: 30 (A3)

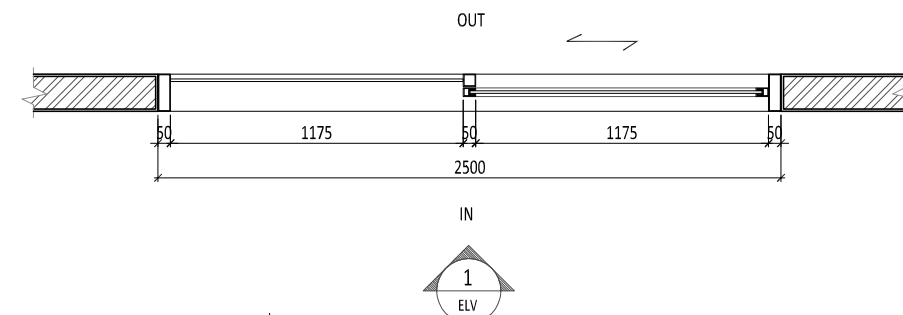


1 PLAN W-9
SCALE 1: 30 (A3)



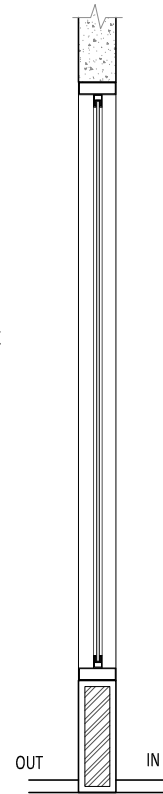
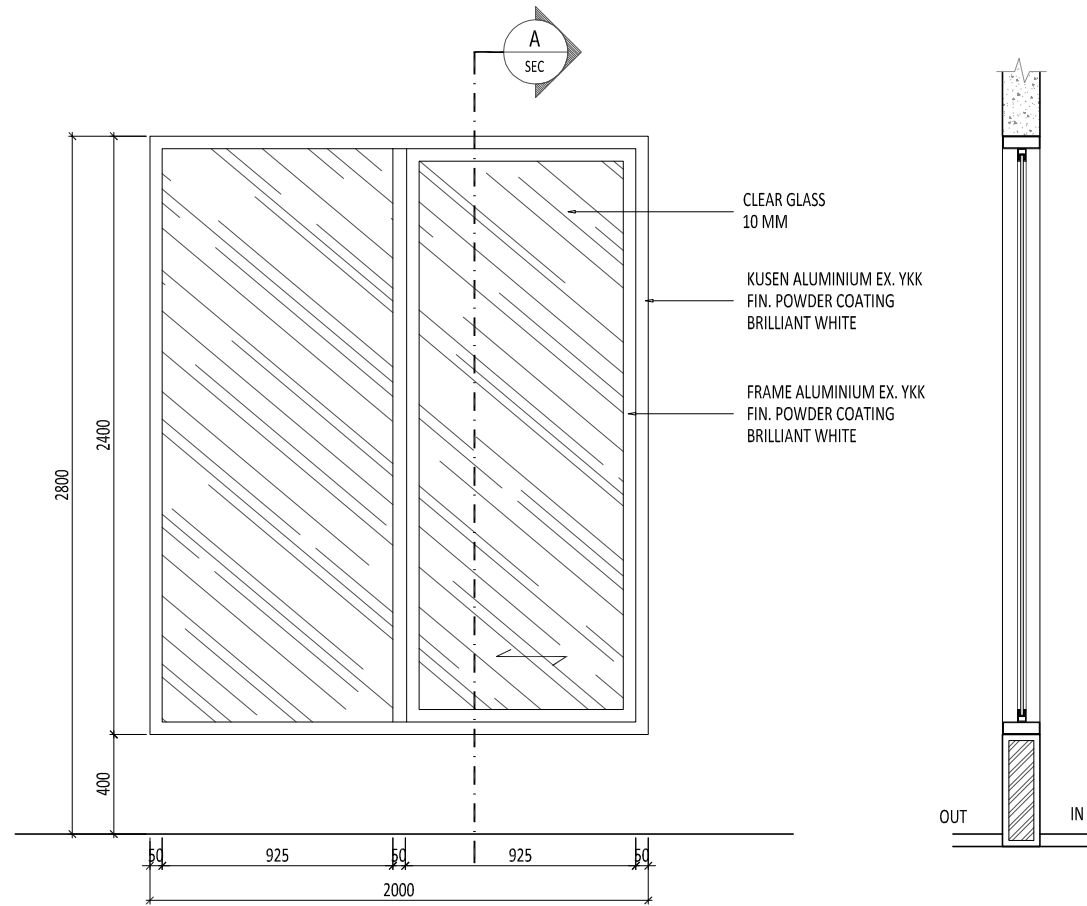
2 ELEVATION 1
SCALE 1: 30 (A3)

3 SECTION A
SCALE 1: 30 (A3)



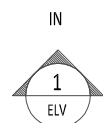
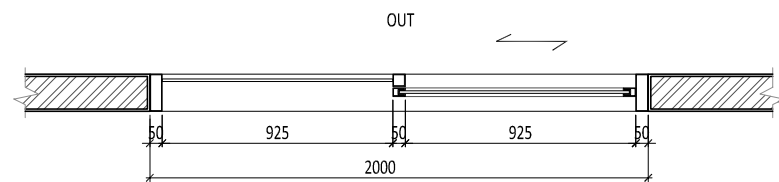
1 PLAN W-10
SCALE 1: 30 (A3)

Drawing Information : Drawn by : NR_Studio Project Architect : Studio Teras Structural Engineer : - ME Engineer : - Contractor : - COPYRIGHT NO PART OF THIS DOCUMENT MAY BE REPRODUCED, TRANSMITTED, OR RECORDED IN ANY FORM OF OTHERWISE WITHOUT PRIOR WRITTEN PERMISSION OF THE ARCHITECT/ENGINEERS.	Client : Project : RUMAH SOLO	NO.	DATE	REVISED / ISSUE	MARK	Legend : 	Drawing Title : DETAIL JENDELA W-9 & W-10	Project No.	-
		01.	11-10-2017	DD				Status	FOR CONSTRUCTION
		02.						Date	-
		03.						Scale	1: 30 A3
		04.						Drawing Number	
		05.						AR-04.004-13	
06.									
06.									

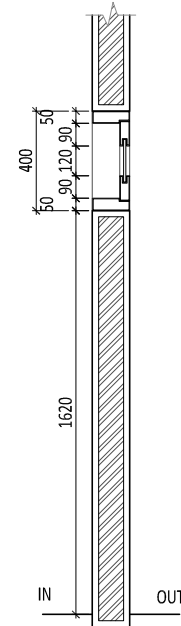
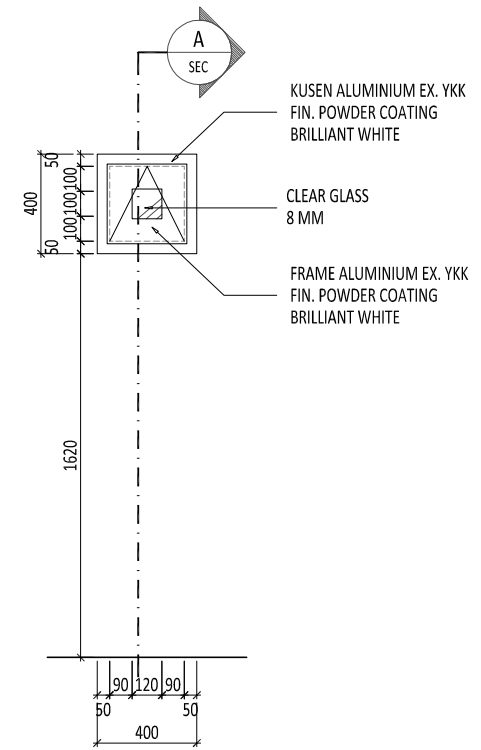


2 ELEVATION 1
SCALE 1: 30 (A3)

3 SECTION A
SCALE 1: 30 (A3)

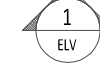
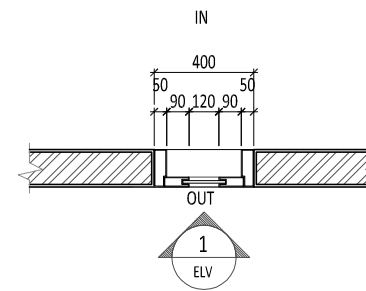


1 PLAN W-11
SCALE 1: 30 (A3)



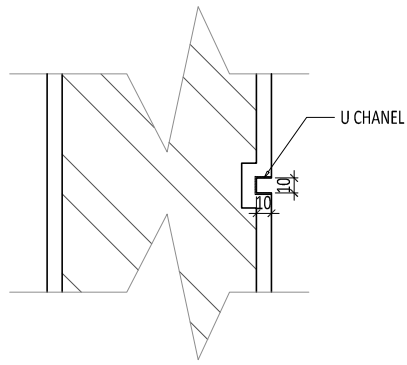
2 ELEVATION 1
SCALE 1: 30 (A3)

3 SECTION A
SCALE 1: 30 (A3)

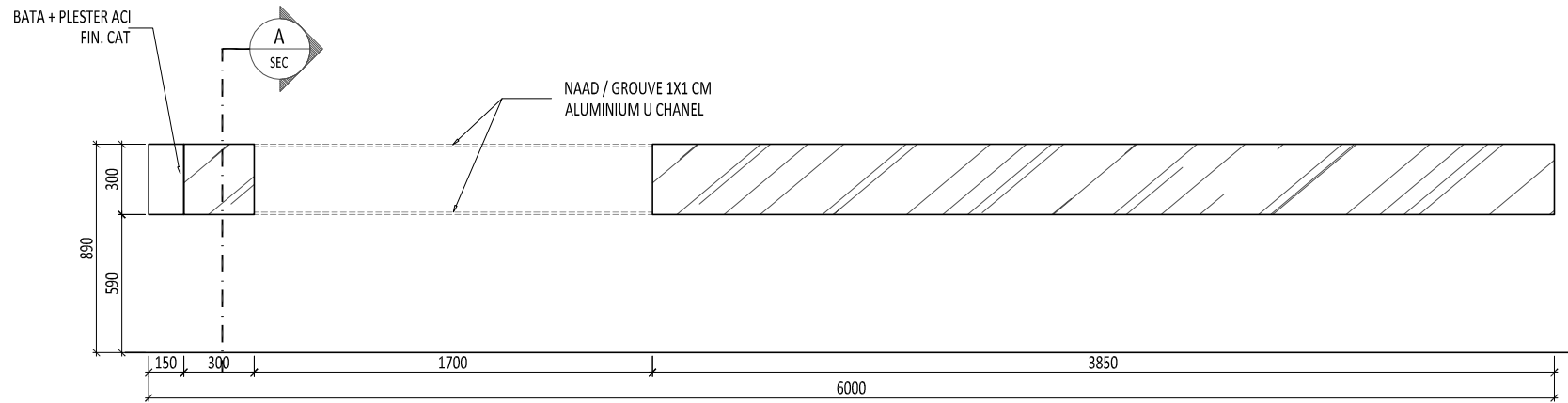


1 PLAN W-12
SCALE 1: 30 (A3)

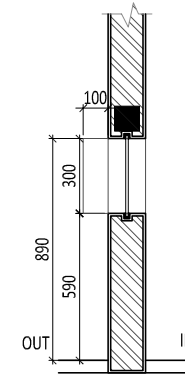
Drawing Information : Drawn by : NR_Studio Project Architect : Studio Teras Structural Engineer : - ME Engineer : - Contractor : - COPYRIGHT NO PART OF THIS DOCUMENT MAY BE REPRODUCED, TRANSMITTED, OR RECORDED IN ANY FORM OF OTHERWISE WITHOUT PRIOR WRITTEN PERMISSION OF THE ARCHITECT/ENGINEERS.	Client :	Project : <p style="text-align: center;">RUMAH SOLO</p>	NO.	DATE	REVISED / ISSUE	MARK	Legend :	Drawing Title : <p style="text-align: center;">DETAIL JENDELA W-11 & W-12</p>	Project No.	-	
			01.	11-10-2017	DD				Status	FOR CONSTRUCTION	
			02.						Date	-	
			03.						Scale	1 : 30	A3
			04.						Drawing Number		
			05.						AR-04.004-14		
06.											



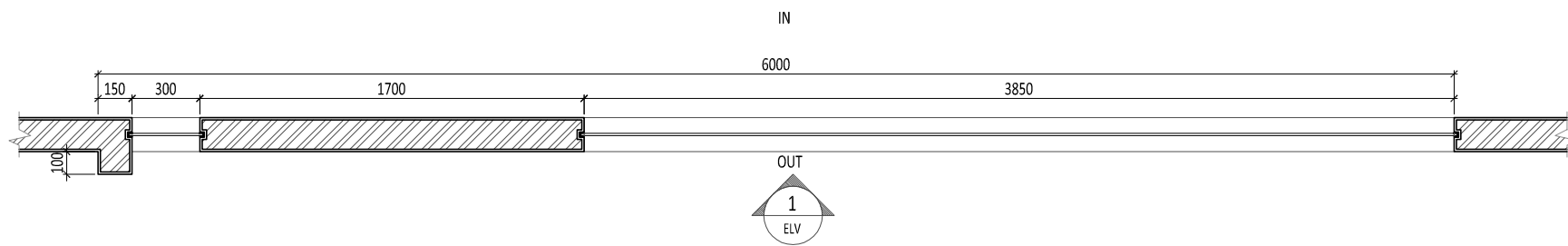
4 DETAIL NAAD / GROUVE
SCALE 1: 5 (A3)



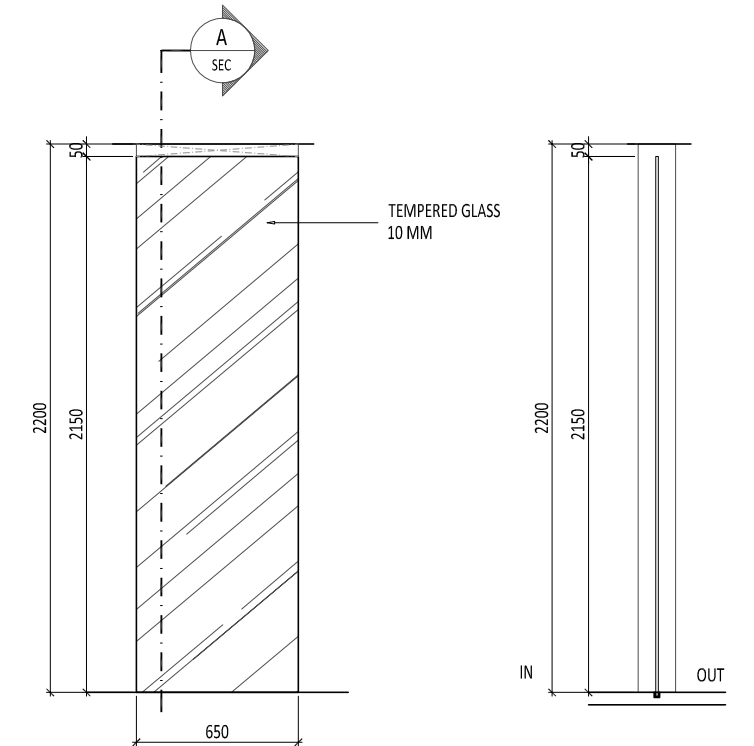
2 ELEVATION 1
SCALE 1: 30 (A3)



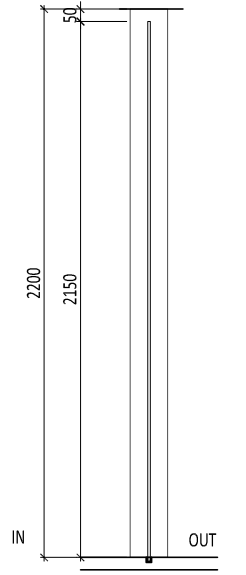
3 SECTION A
SCALE 1: 30 (A3)



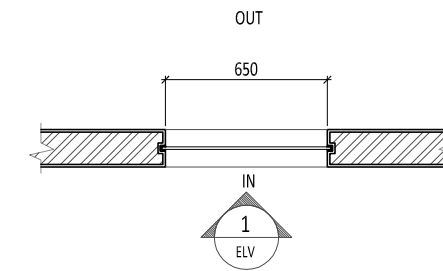
1 PLAN W-16
SCALE 1: 30 (A3)



2 ELEVATION 1
SCALE 1: 30 (A3)

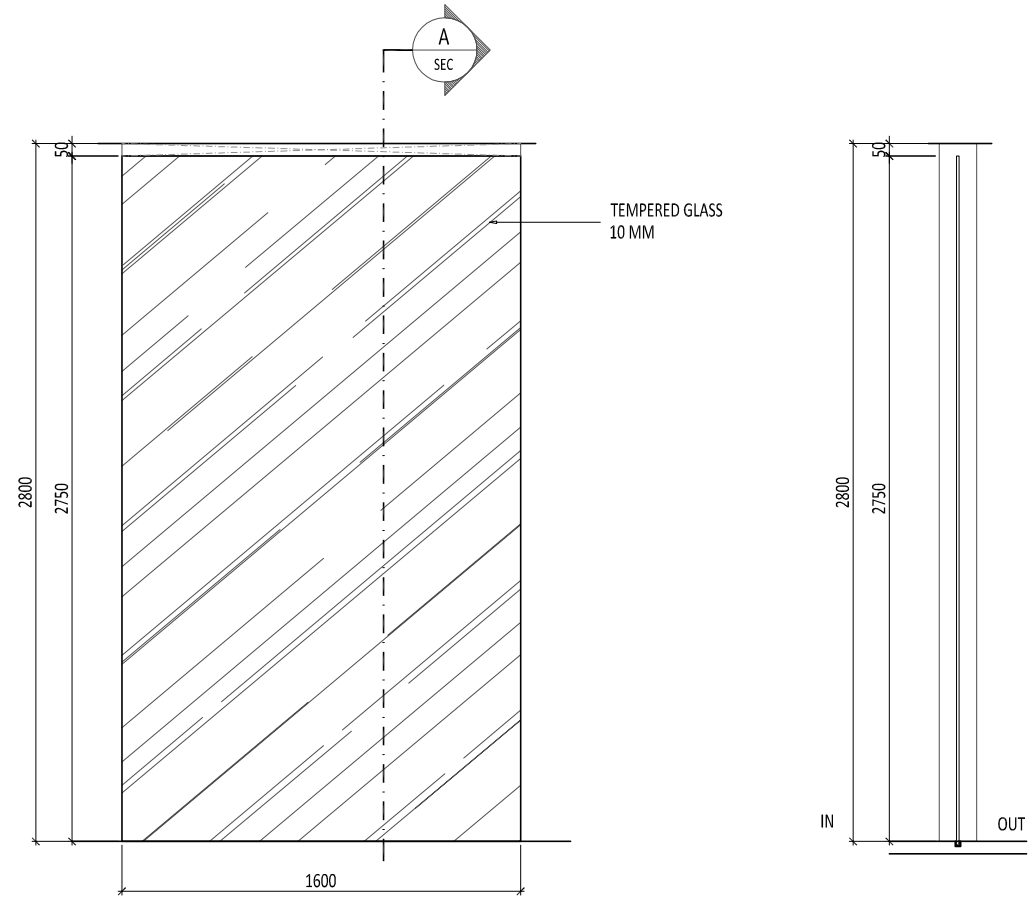


3 SECTION A
SCALE 1: 30 (A3)



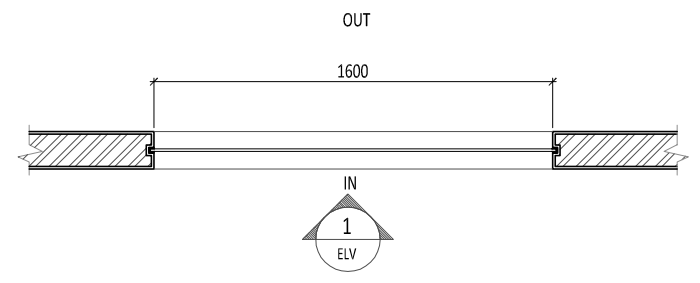
1 PLAN W-17
SCALE 1: 30 (A3)

Drawing Information : Drawn by : NR_Studio Project Architect : Studio Teras Structural Engineer : - ME Engineer : - Contractor : - COPYRIGHT NO PART OF THIS DOCUMENT MAY BE REPRODUCED, TRANSMITTED, OR RECORDED IN ANY FORM OF OTHERWISE WITHOUT PRIOR WRITTEN PERMISSION OF THE ARCHITECT/ENGINEERS.	Client : Project : RUMAH SOLO	NO.	DATE	REVISED / ISSUE	MARK	Legend : 	Drawing Title : DETAIL JENDELA W-16 & W-17	Project No.	-
		01.	11-10-2017	DD				Status	FOR CONSTRUCTION
		02.						Date	-
		03.						Scale	1: 30 A3
		04.						Drawing Number	
		05.						AR-04.004-16	
		06.							



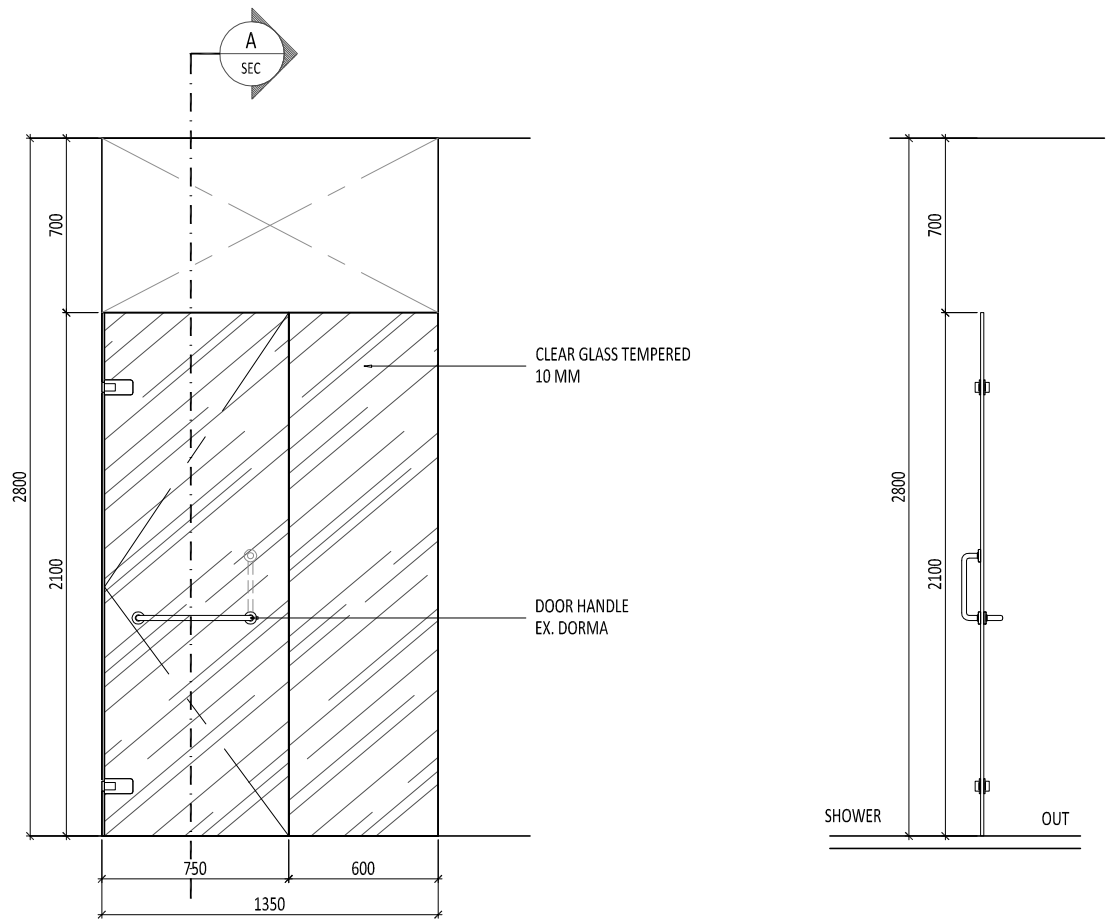
2 ELEVATION 1
SCALE 1: 30 (A3)

3 SECTION A
SCALE 1: 30 (A3)



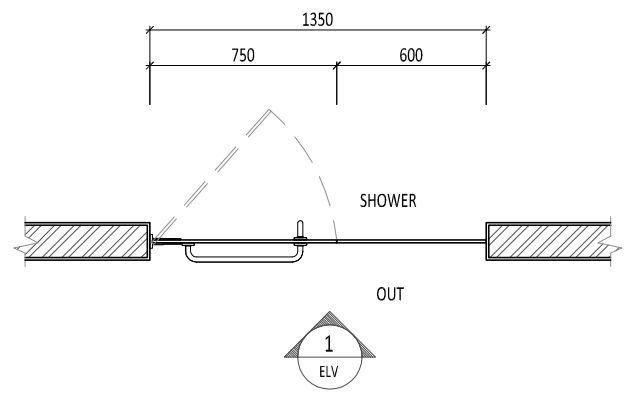
1 PLAN W-18
SCALE 1: 30 (A3)

Drawing Information : Drawn by : NR_Studio Project Architect : Studio Teras Structural Engineer : - ME Engineer : - Contractor : - COPYRIGHT NO PART OF THIS DOCUMENT MAY BE REPRODUCED, TRANSMITTED, OR RECORDED IN ANY FORM OF OTHERWISE WITHOUT PRIOR WRITTEN PERMISSION OF THE ARCHITECT/ENGINEERS.	Client :	Project : <p style="text-align: center;">RUMAH SOLO</p>	NO. DATE REVISED / ISSUE MARK	Legend :	Drawing Title : <p style="text-align: center;">DETAIL JENDELA W-18</p>	Project No. -
			01. 11-10-2017 DD 02. 03. 04. 05. 06. 06. 06.			Status FOR CONSTRUCTION Date - Scale 1: 30 A3
Drawing Number <p style="font-size: 1.2em;">AR-04.004-17</p>						

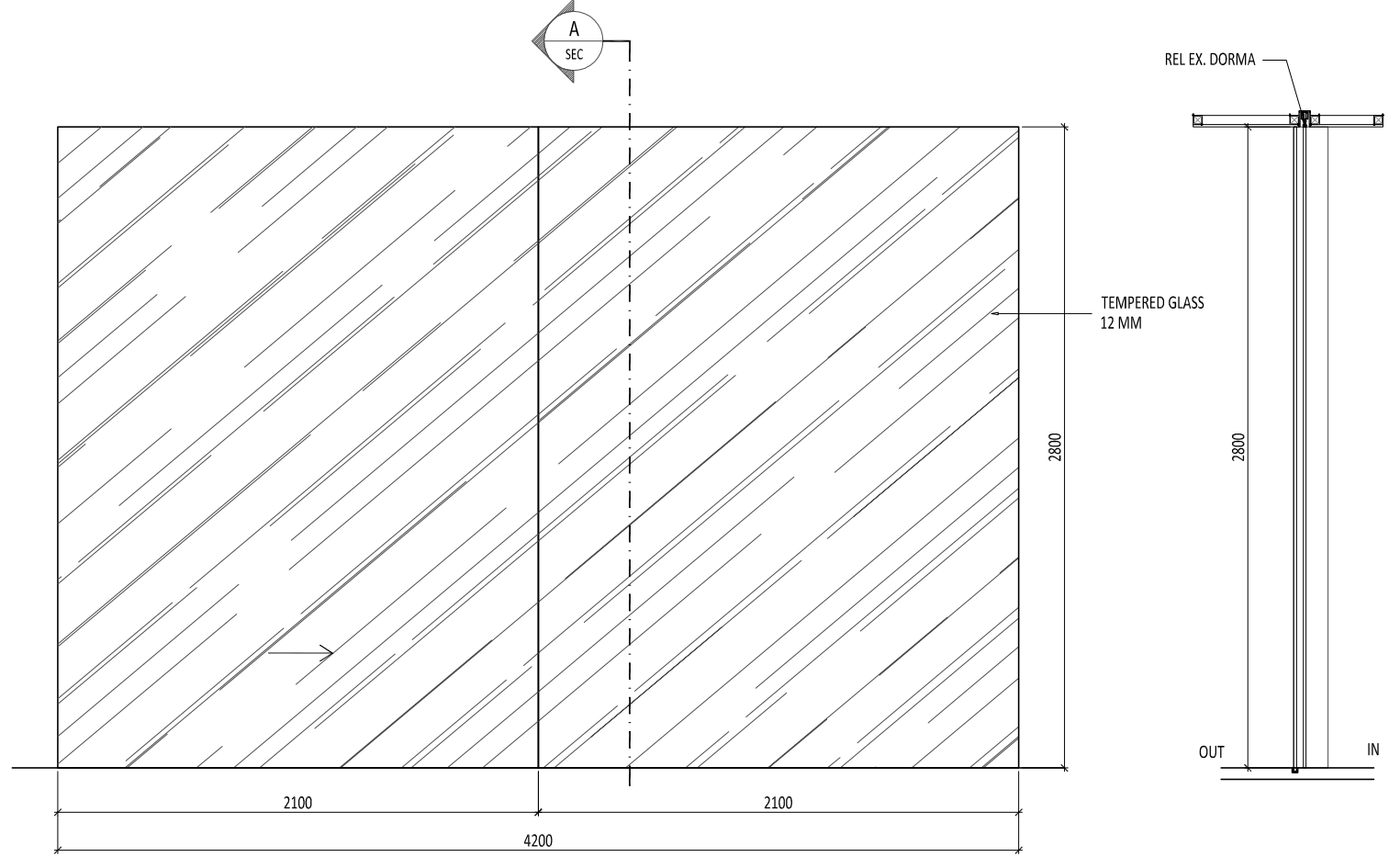


2 ELEVATION 1
SCALE 1: 30 (A3)

3 SECTION A
SCALE 1: 30 (A3)

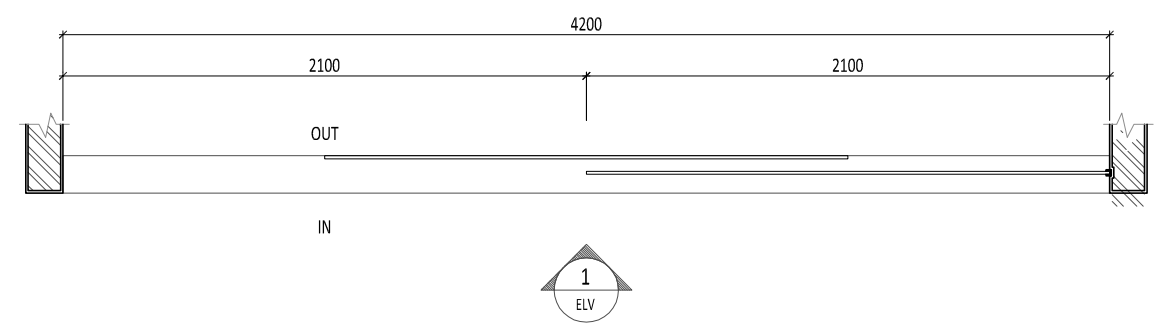


1 PLAN DW-1
SCALE 1: 30 (A3)



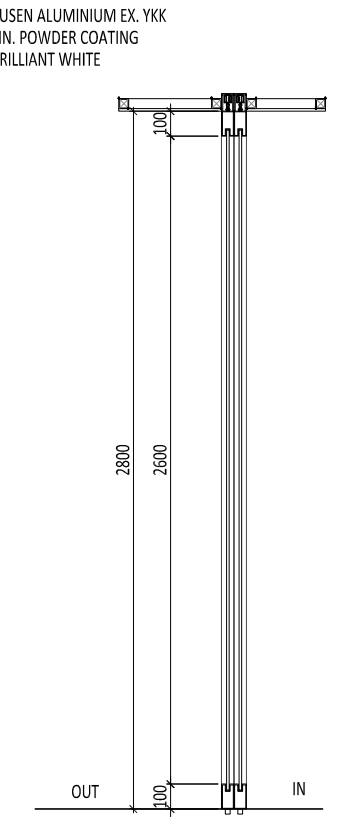
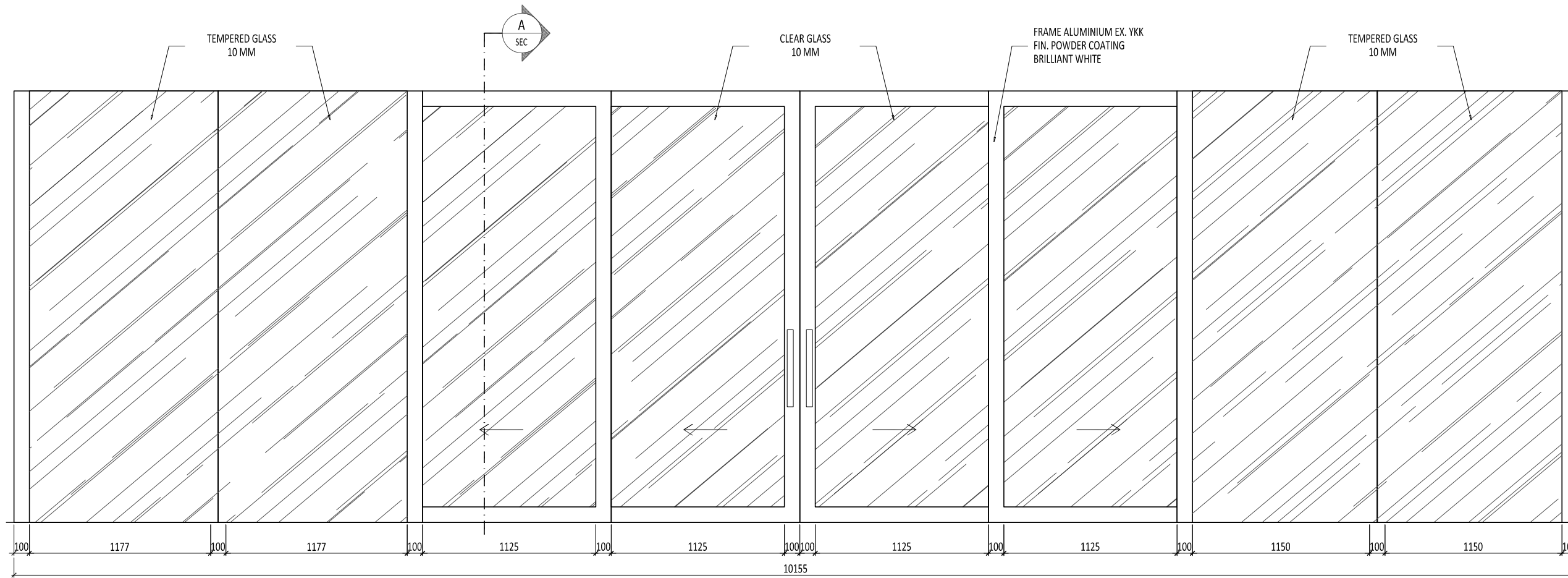
2 ELEVATION 1
SCALE 1: 30 (A3)

3 SECTION A
SCALE 1: 30 (A3)



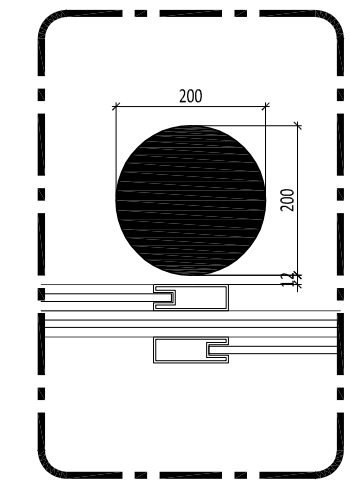
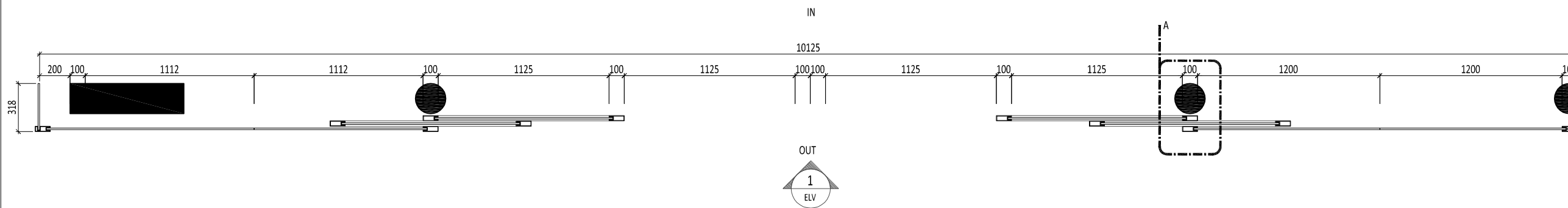
1 PLAN DW-2
SCALE 1: 30 (A3)

Drawing Information : Drawn by : NR_Studio Project Architect : Studio Teras Structural Engineer : - ME Engineer : - Contractor : - COPYRIGHT NO PART OF THIS DOCUMENT MAY BE REPRODUCED, TRANSMITTED, OR RECORDED IN ANY FORM OF OTHERWISE WITHOUT PRIOR WRITTEN PERMISSION OF THE ARCHITECT/ENGINEERS.	Client : Project : RUMAH SOLO	NO. DATE REVISED / ISSUE MARK Legend :	Drawing Title : DETAIL PINTU JENDELA DW-1 & DW-2	Project No. - Status FOR CONSTRUCTION Date - Scale 1: 30 A3 Drawing Number AR-04.004-18																													
		<table border="1"> <tr><td>01.</td><td>11-10-2017</td><td>DD</td><td></td></tr> <tr><td>02.</td><td></td><td></td><td></td></tr> <tr><td>03.</td><td></td><td></td><td></td></tr> <tr><td>04.</td><td></td><td></td><td></td></tr> <tr><td>05.</td><td></td><td></td><td></td></tr> <tr><td>06.</td><td></td><td></td><td></td></tr> <tr><td>06.</td><td></td><td></td><td></td></tr> <tr><td>06.</td><td></td><td></td><td></td></tr> </table>		01.	11-10-2017	DD		02.				03.				04.				05.				06.				06.				06.	
01.	11-10-2017	DD																															
02.																																	
03.																																	
04.																																	
05.																																	
06.																																	
06.																																	
06.																																	



2 ELEVATION 1
SCALE 1: 30 (A3)

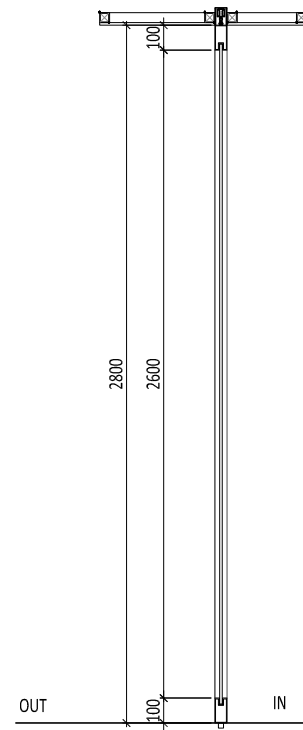
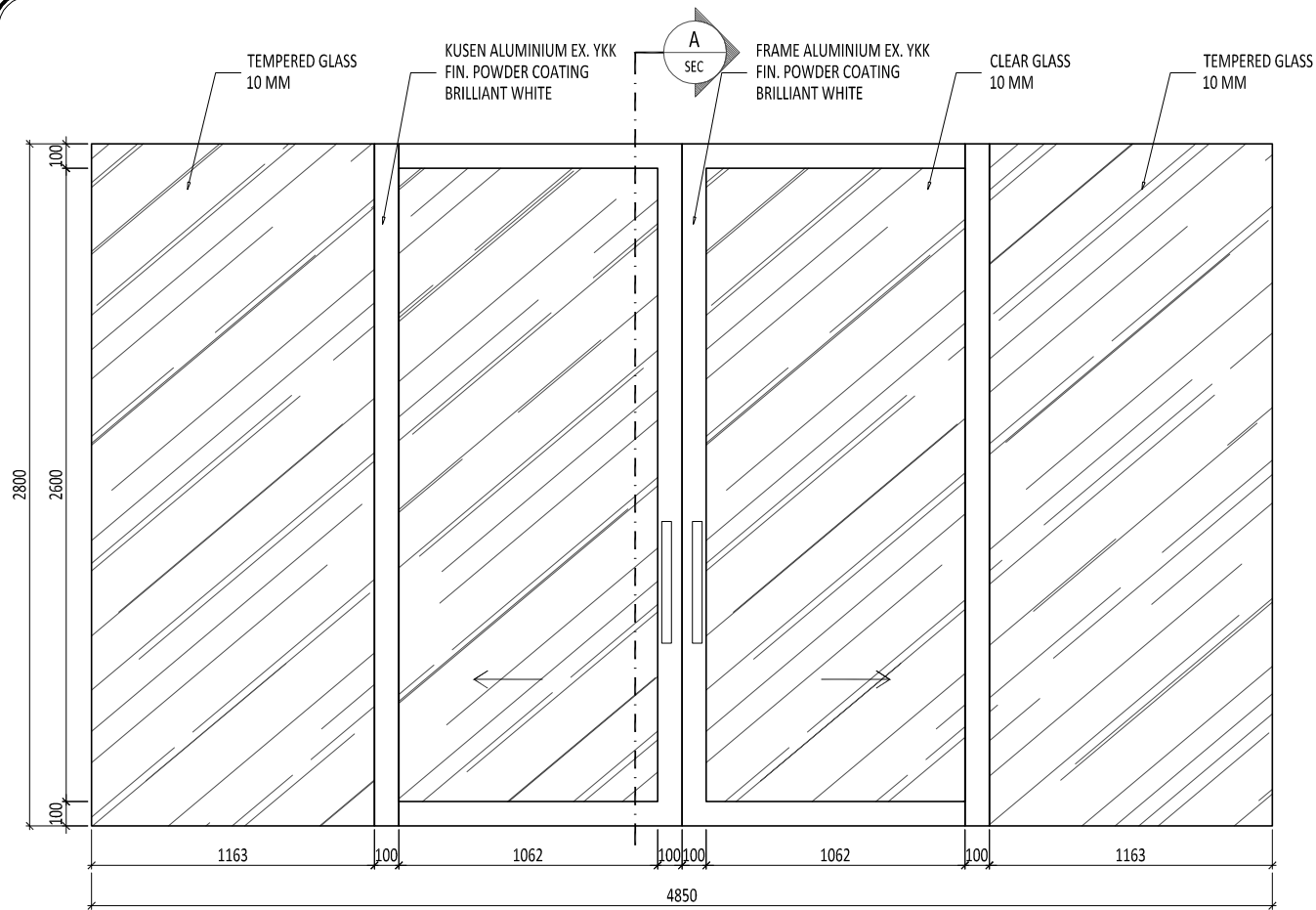
3 SECTION A
SCALE 1: 30 (A3)



1 PLAN DW-3
SCALE 1: 30 (A3)

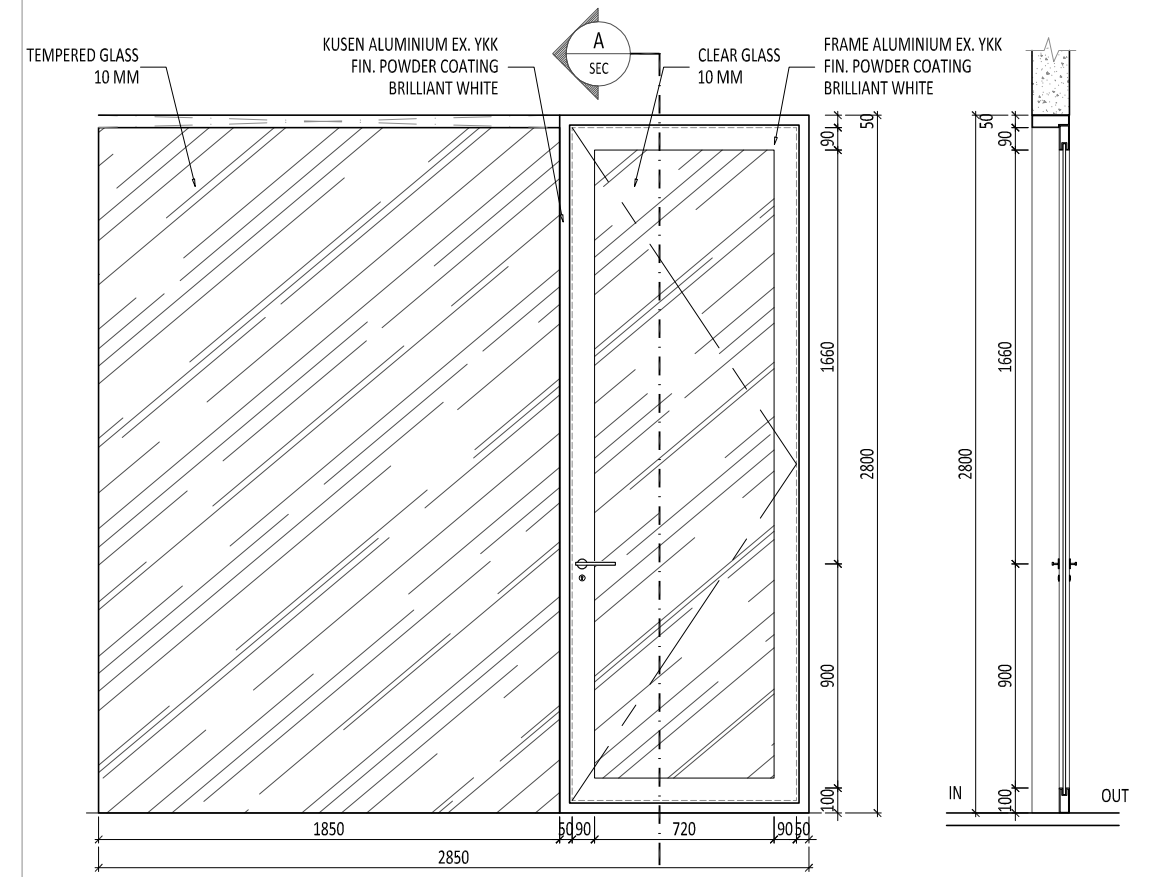
4 DETAIL A
SCALE 1: 10 (A3)

Drawing Information : Drawn by : NR_Studio Project Architect : Studio Teras Structural Engineer : - ME Engineer : - Contractor : - COPYRIGHT NO PART OF THIS DOCUMENT MAY BE REPRODUCED, TRANSMITTED, OR RECORDED IN ANY FORM OF OTHERWISE WITHOUT PRIOR WRITTEN PERMISSION OF THE ARCHITECT/ENGINEERS.	Client : Project : RUMAH SOLO	NO. DATE REVISED / ISSUE MARK Legend :	Drawing Title : DETAIL PINTU JENDELA DW-3	Project No. : - Status : FOR CONSTRUCTION Date : - Scale : 1:30 A3 Drawing Number :																													
		<table border="1"> <tr><td>01.</td><td>11-10-2017</td><td>DD</td><td></td></tr> <tr><td>02.</td><td></td><td></td><td></td></tr> <tr><td>03.</td><td></td><td></td><td></td></tr> <tr><td>04.</td><td></td><td></td><td></td></tr> <tr><td>05.</td><td></td><td></td><td></td></tr> <tr><td>06.</td><td></td><td></td><td></td></tr> <tr><td>06.</td><td></td><td></td><td></td></tr> <tr><td>06.</td><td></td><td></td><td></td></tr> </table>		01.	11-10-2017	DD		02.				03.				04.				05.				06.				06.				06.	
01.	11-10-2017	DD																															
02.																																	
03.																																	
04.																																	
05.																																	
06.																																	
06.																																	
06.																																	



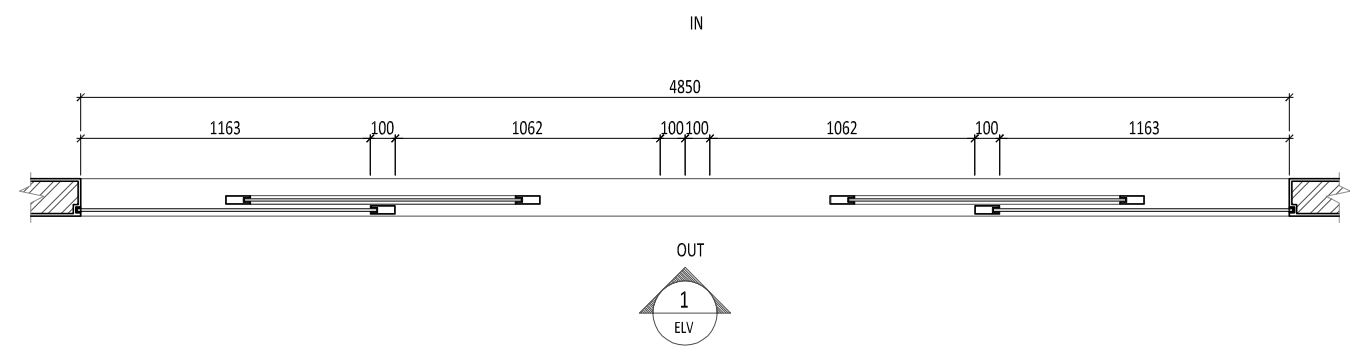
2 ELEVATION 1
SCALE 1: 30 (A3)

3 SECTION A
SCALE 1: 30 (A3)

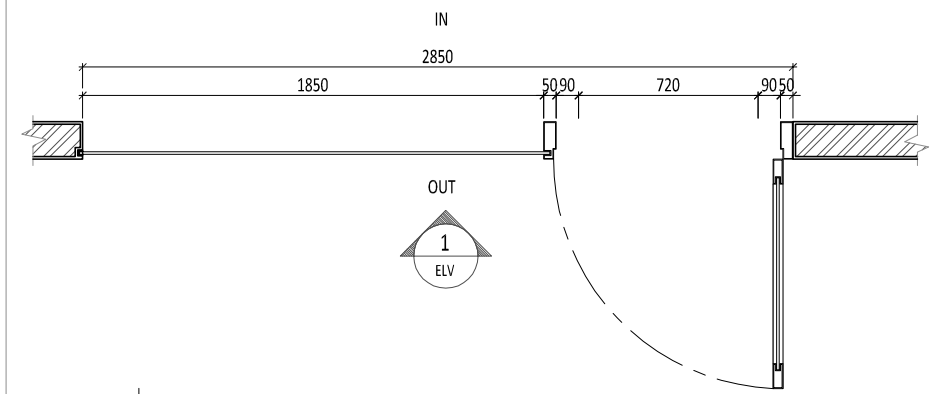


2 ELEVATION 1
SCALE 1: 30 (A3)

3 SECTION A
SCALE 1: 30 (A3)

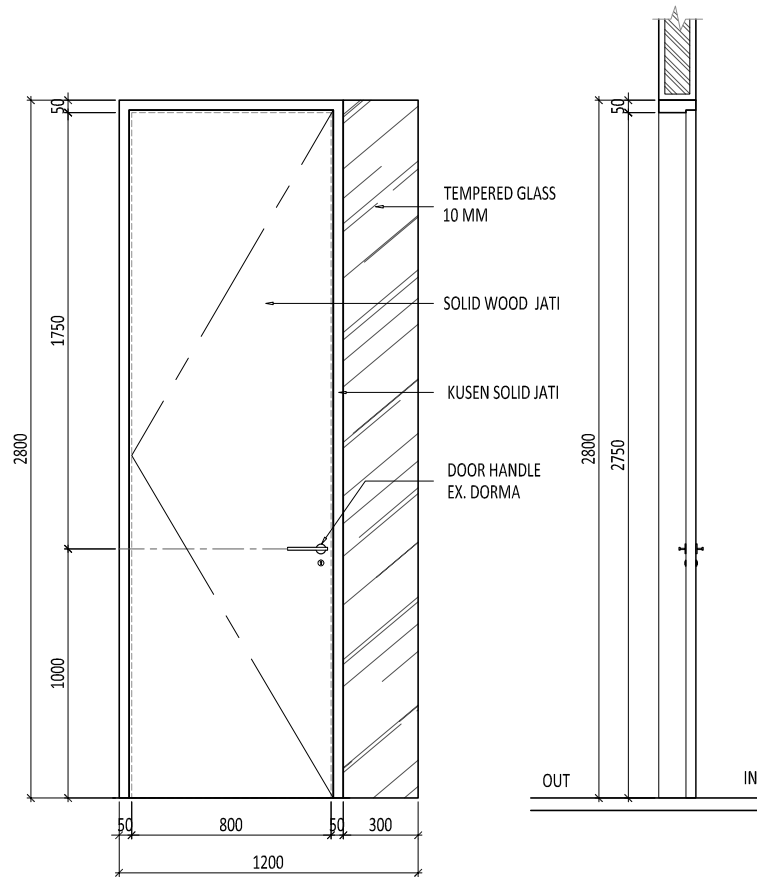


1 PLAN DW-4
SCALE 1: 30 (A3)



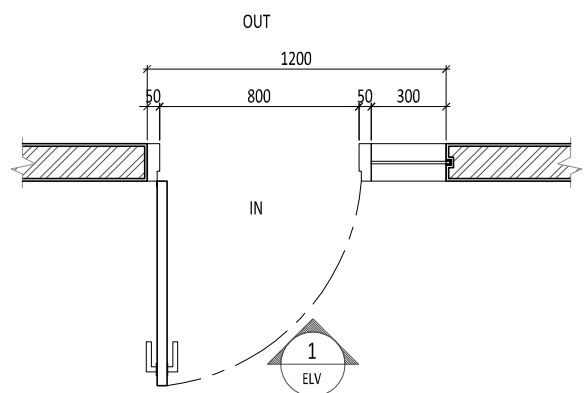
1 PLAN DW-5
SCALE 1: 30 (A3)

Drawing Information : Drawn by : NR_Studio Project Architect : Studio Teras Structural Engineer : - ME Engineer : - Contractor : - COPYRIGHT NO PART OF THIS DOCUMENT MAY BE REPRODUCED, TRANSMITTED, OR RECORDED IN ANY FORM OF OTHERWISE WITHOUT PRIOR WRITTEN PERMISSION OF THE ARCHITECT/ENGINEERS.	Client : Project : RUMAH SOLO	NO.	DATE	REVISED / ISSUE	MARK	Legend : 	Drawing Title : DETAIL PINTU JENDELA DW-4 & DW-5	Project No.	-
		01.	11-10-2017	DD				Status	FOR CONSTRUCTION
		02.						Date	-
		03.						Scale	1:30 A3
		04.						Drawing Number	
		05.						AR-04.004-20	
06.									
06.									
06.									

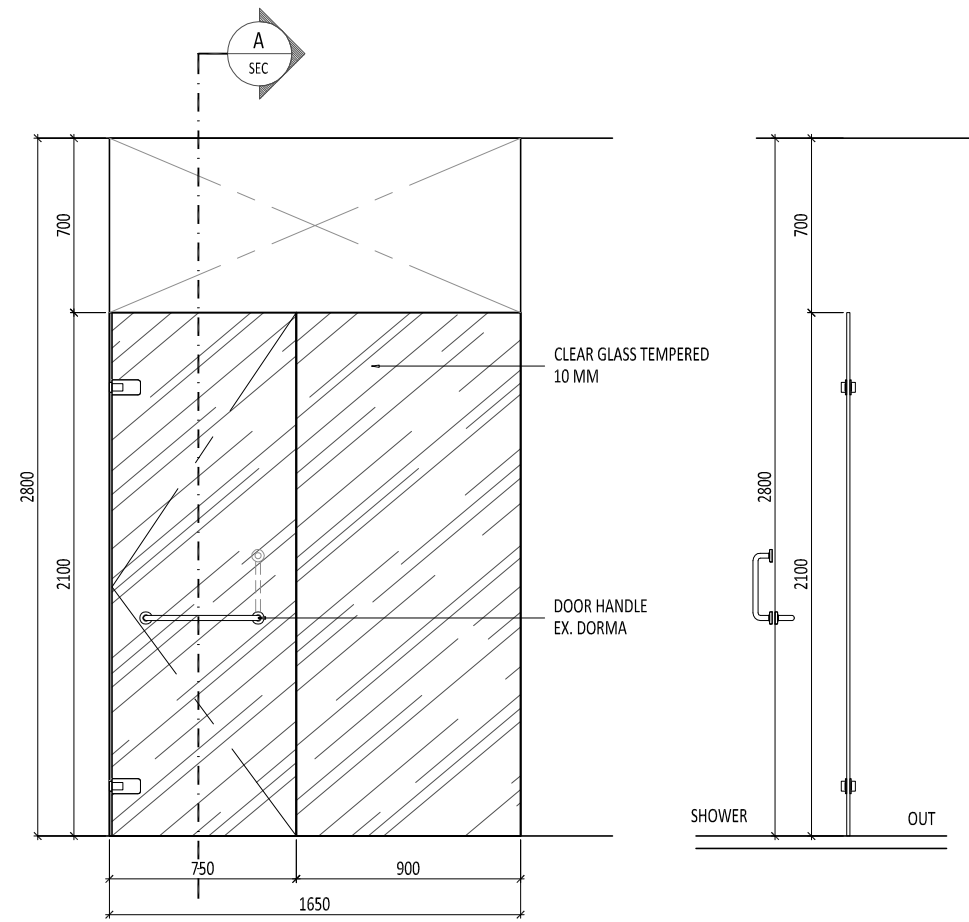


2 ELEVATION 1
SCALE 1: 30 (A3)

3 SECTION A
SCALE 1: 30 (A3)

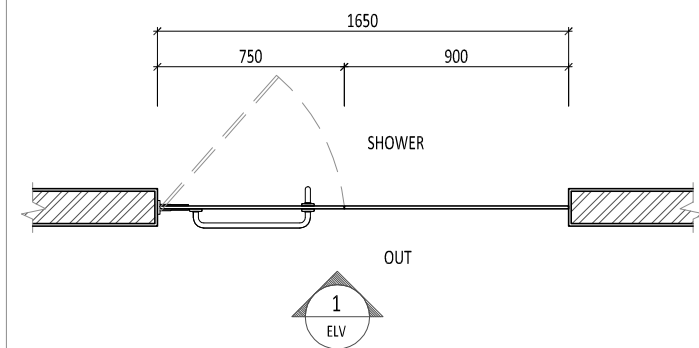


1 PLAN DW-6
SCALE 1: 30 (A3)

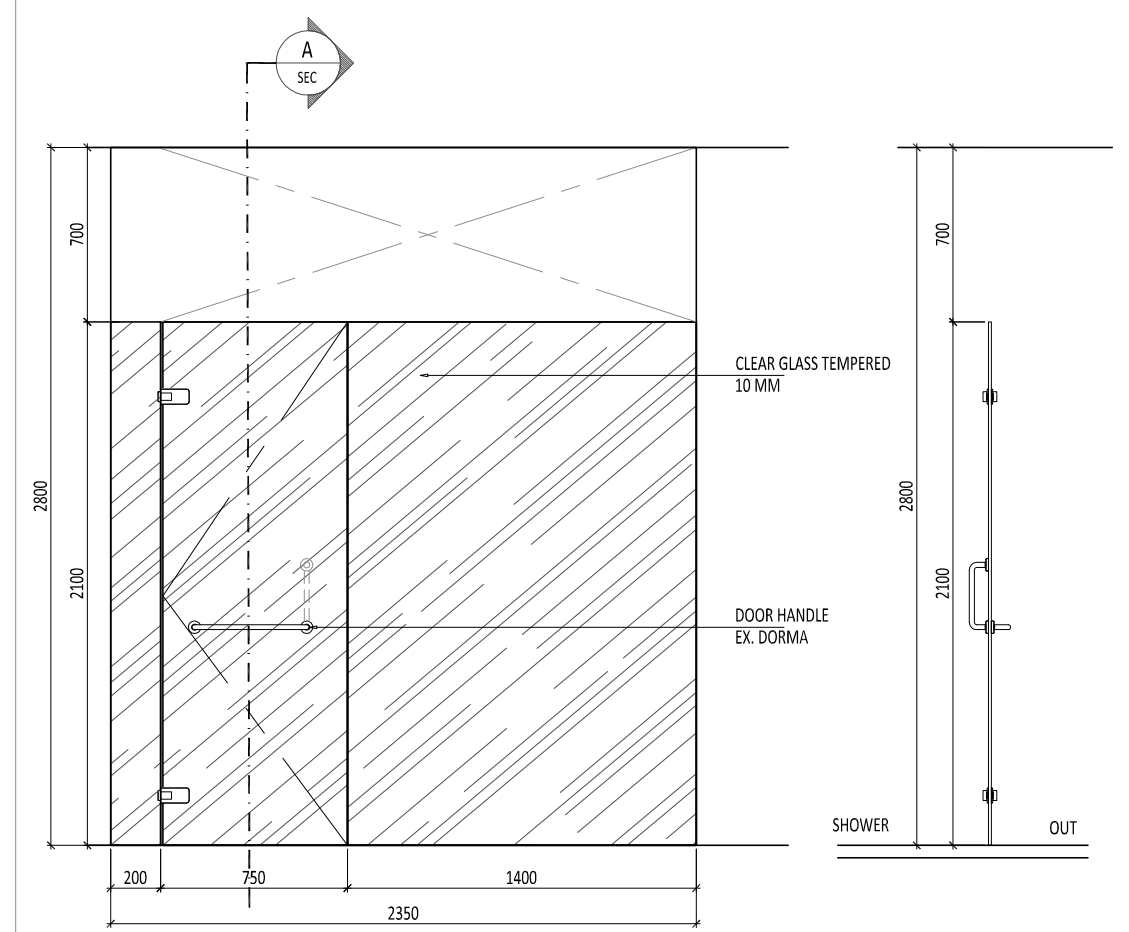


2 ELEVATION 1
SCALE 1: 30 (A3)

3 SECTION A
SCALE 1: 30 (A3)

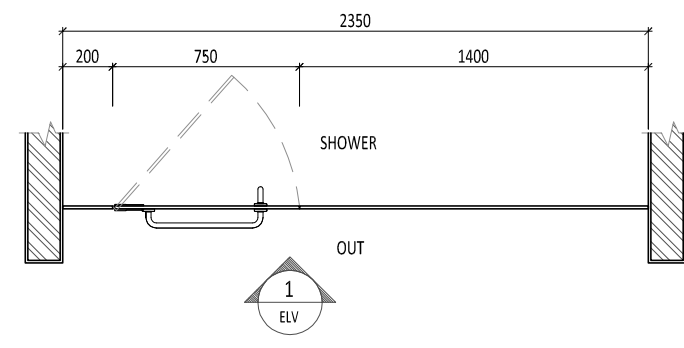


1 PLAN DW-7
SCALE 1: 30 (A3)



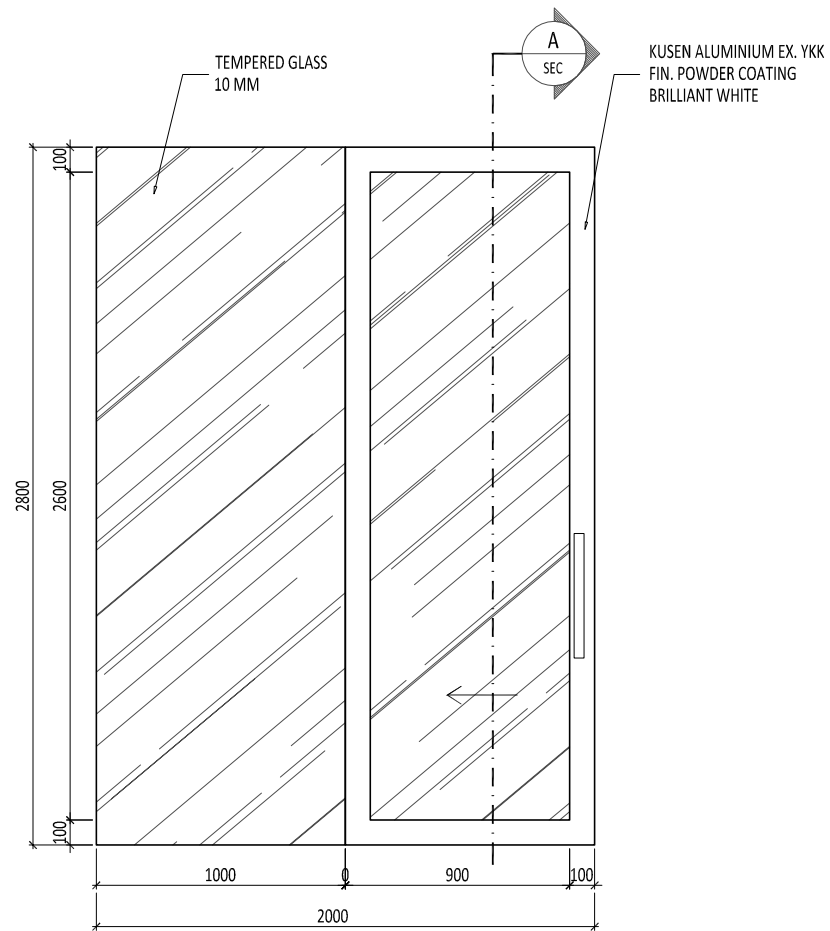
2 ELEVATION 1
SCALE 1: 30 (A3)

3 SECTION A
SCALE 1: 30 (A3)

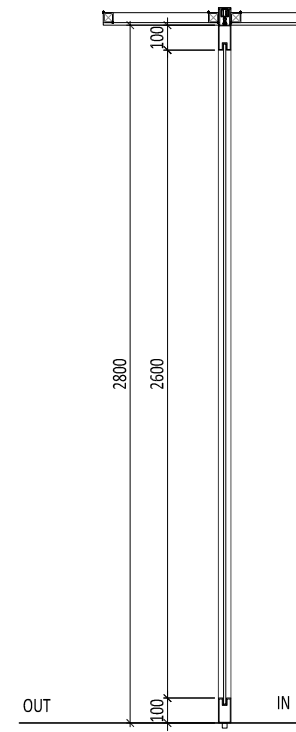


1 PLAN DW-8
SCALE 1: 30 (A3)

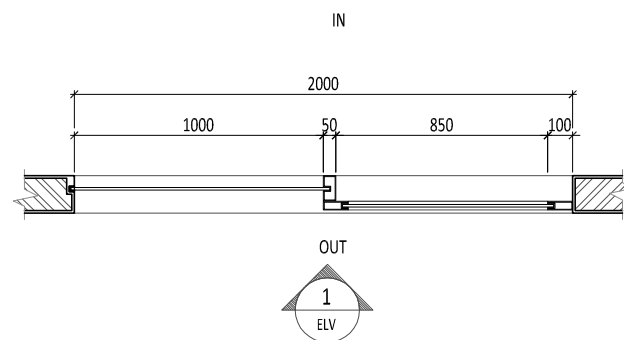
Drawing Information : Drawn by : NR_Studio Project Architect : Studio Teras Structural Engineer : - ME Engineer : - Contractor : - COPYRIGHT NO PART OF THIS DOCUMENT MAY BE REPRODUCED, TRANSMITTED, OR RECORDED IN ANY FORM OF OTHERWISE WITHOUT PRIOR WRITTEN PERMISSION OF THE ARCHITECT/ENGINEERS.	Client : Project : RUMAH SOLO	NO. DATE REVISED / ISSUE MARK Legend :	Drawing Title : DETAIL PINTU JENDELA DW-6, DW-7 & DW-8	Project No. -
		01. 11-10-2017 DD		Status FOR CONSTRUCTION
		02.		Date -
		03.		Scale 1: 30 A3
		04.		Drawing Number
		05.		AR-04.004-21



2 ELEVATION 1
SCALE 1: 30 (A3)



3 SECTION A
SCALE 1: 30 (A3)



1 PLAN DW-9
SCALE 1: 30 (A3)

Drawing Information : Drawn by : NR_Studio Project Architect : Studio Teras Structural Engineer : - ME Engineer : - Contractor : - COPYRIGHT NO PART OF THIS DOCUMENT MAY BE REPRODUCED, TRANSMITTED, OR RECORDED IN ANY FORM OF OTHERWISE WITHOUT PRIOR WRITTEN PERMISSION OF THE ARCHITECT/ENGINEERS.	Client :	Project : <p style="text-align: center;">RUMAH SOLO</p>	NO. DATE REVISED / ISSUE MARK Legend :	Drawing Title : <p style="text-align: center;">DETAIL PINTU JENDELA DW-9</p>	Project No. -																												
			<table border="1"> <tr><td>01.</td><td>11-10-2017</td><td>DD</td><td></td></tr> <tr><td>02.</td><td></td><td></td><td></td></tr> <tr><td>03.</td><td></td><td></td><td></td></tr> <tr><td>04.</td><td></td><td></td><td></td></tr> <tr><td>05.</td><td></td><td></td><td></td></tr> <tr><td>06.</td><td></td><td></td><td></td></tr> <tr><td>06.</td><td></td><td></td><td></td></tr> <tr><td>06.</td><td></td><td></td><td></td></tr> </table>		01.	11-10-2017	DD		02.				03.				04.				05.				06.				06.				06.
01.	11-10-2017	DD																															
02.																																	
03.																																	
04.																																	
05.																																	
06.																																	
06.																																	
06.																																	
Drawing Number					AR-04.004-22																												

