

SR RESIDENCE

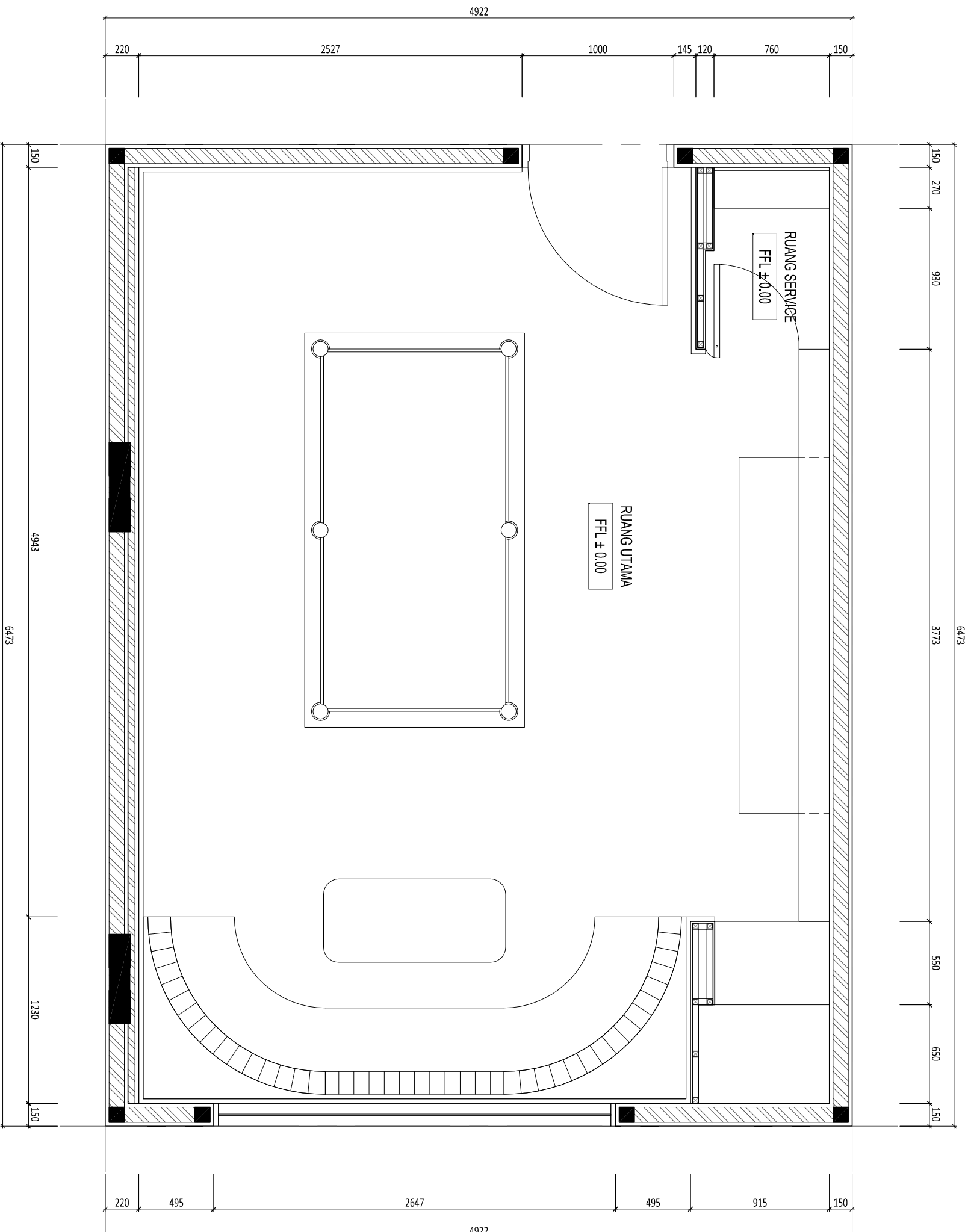
WORKING DRAWING

28/10/2022

NO	DRAWING NO	DRAWING TITLE	SCALE	PAPER	REMARK
	ID-00	GENERAL INFORMATION			
01	ID-00.000-000	COVER	NTS	A3	✓
02	ID-00.001-001	DRAWING LIST	NTS	A3	✓
	ID-01	PLAN			
03	ID-01.001-001	LAYOUT PLAN	1 : 30	A3	✓
04	ID-01.002-001	FURNITURE PLAN	1 : 30	A3	✓
05	ID-01.003-001	FLOOR FINISHES PLAN	1 : 30	A3	✓
06	ID-01.004-001	WALL FINISHES PLAN	1 : 30	A3	✓
07	ID-01.005-001	CEILING PLAN	1 : 30	A3	✓
08	ID-01.006-001	ELECTRICAL PLAN	1 : 30	A3	✓
	ID-02	FURNITURE			
09	ID-02.001-001	FURNITURE F-01	1 : 20	A3	✓
10	ID-02.002-001	FURNITURE F-02	1 : 25	A3	✓
11	ID-02.003-001	FURNITURE F-03	1 : 20	A3	✓
12	ID-02.004-001	FURNITURE F-04	1 : 15	A3	✓
13	ID-02.005-001	FURNITURE F-05	1 : 20	A3	✓
	ID-03	DETAIL INTERIOR			
14	ID-03.001-001	DOOR DETAILS	1 : 20	A3	✓
15	ID-03.002-001	INTERIOR DETAILS	1 : 10	A3	✓

NO	URAIAN	TANGGAL	Digambar	Diperiksa	Dibesuji	Nama Gambar
01.	WORKING DRAWING - PR	31/10/2022	NR	Yolanda C.		DRAWING LIST Skala : NTS A3 Nomor Gambar : ID-00.001-001 Status WORKING DRAWING Tanggal 31/10/2022
02.						
03.						
04.						
05.						

HASIL DARI
 RENCANA ARSITEKTUR DAN PERENCANAAN LAIN LAIN
 BERSAMA SAMA SUDAH DISERVISI DAN DISERVISI
 ARSITEK/REVISI
 COPYRIGHT
 NO PART OF THIS DOCUMENT MAY BE REPRODUCED,
 TRANSMITTED, OR RECORDED IN ANY FORM OR BY ANY
 MEANS, WITHOUT THE WRITTEN PERMISSION OF THE
 ARCHITECT/ENGINEERS



1 LAYOUT PLAN
SCALE 1 : 30/49

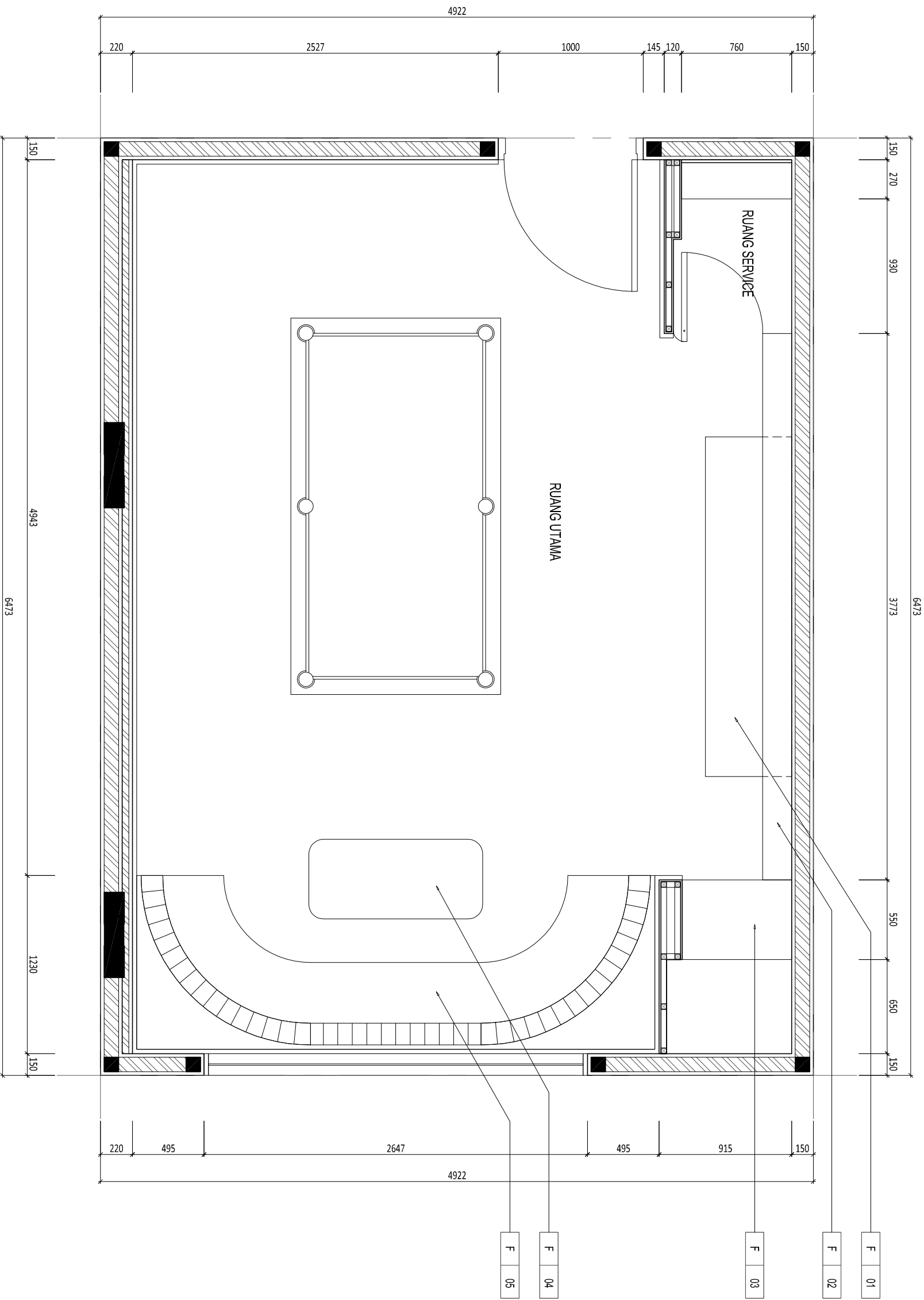
D:\NR_Studio\Project\SR Residence\03_Production & Management\02_For Construction Drawing\04_Material\01-001 - Layout Plan.dwg
Proyek Ketersangan

SR
RESIDENCE

Perencanaan Tugas		Perencanaan Asitektur & Interior		Konsultan QS		Nama Gambar	
Perencana Struktur		Yolanda C.		Kontraktor		LAYOUT PLAN	
Perencana ME						Skala : 1:30	
						A3	
						Status WORKING DRAWING	
						Tanggal 31/10/2022	

NO	URAIAN	TANGGAL	Digambar	Diperiksa	Dibesuji
01.	WORKING DRAWING - RD	31/10/2022	NR	Yolanda C.	
02.					
03.					
04.					
05.					

2210-024NR
NO PART OF THIS DOCUMENT MAY BE REPRODUCED, TRANSMITTED, OR RECORDED IN ANY FORM OR BY ANY MEANS, WITHOUT THE WRITTEN PERMISSION OF THE ARCHITECT/ENGINEERS.



1 FURNITURE PLAN
SCALE 1: 30/69

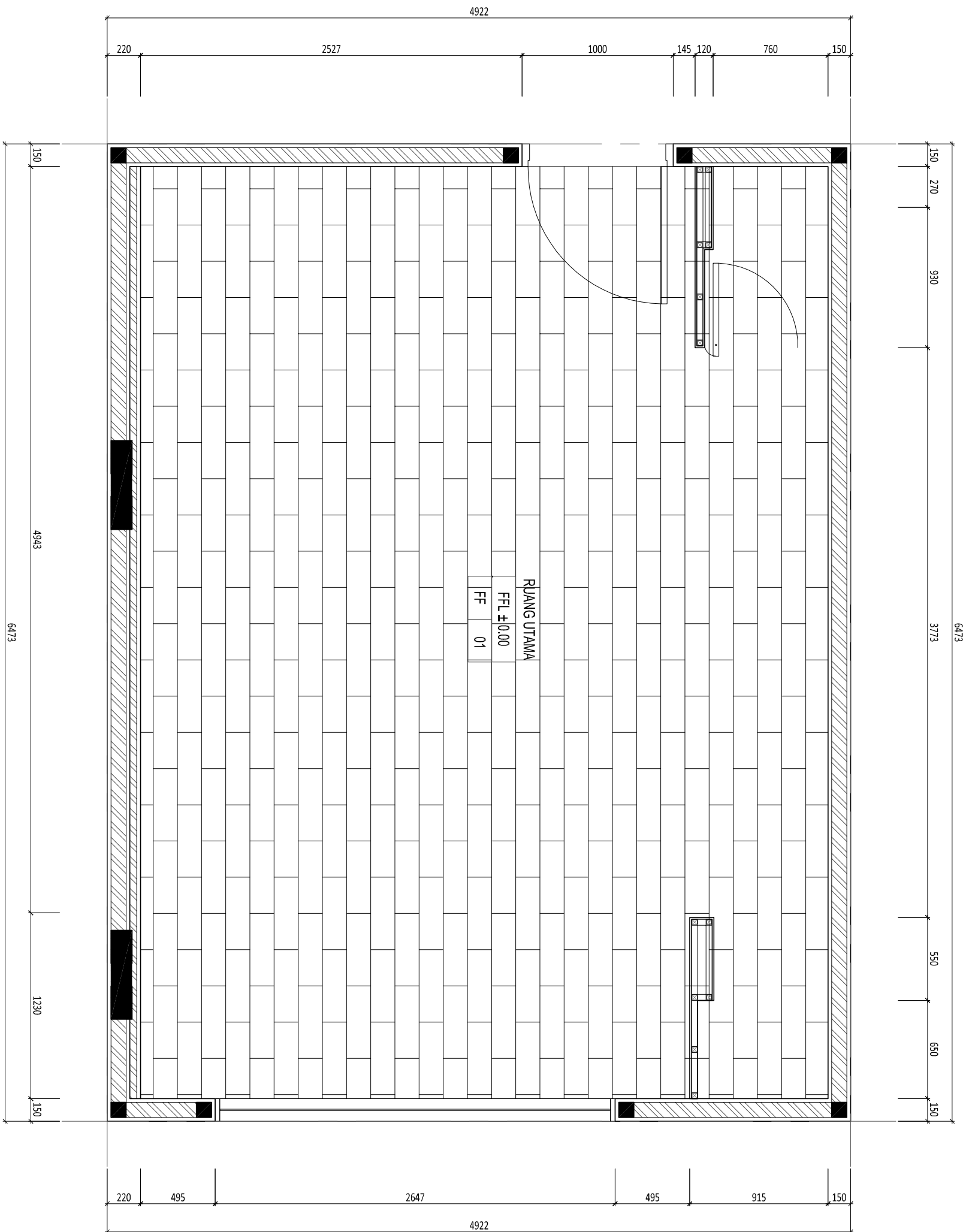
D:\NR_StudiProjeck\SR Residence\03_Production & Management\02_For Construction Drawing\04 Interior\ID-01.002 - Furniture Plan.dwg 2210-02\NR

Proyek		Keterangan	
SR RESIDENCE			
Perencanaan Tugas		Perencanaan Struktur	
Perencana Asitektur & Interior Yolanda C.		Perencana ME	
Konsultan QS		Kontraktor	
R E V I S I		Dibambar	
NO	URAIAN	TANGGAL	NR
01.	WORKING DRAWING - RD	31/10/2022	Yolanda C.
02.			
03.			
04.			
05.			
Nama Gambar		Diperiksa	
FURNITURE PLAN		Dibesului	
Skala: 1:30		A3	
Nomor Gambar: ID-01.002.001		Status	
		WORKING DRAWING	
		Tanggal	
		31/10/2022	

SR
RESIDENCE

FF 01 : LVC CLICK CLEO 5MM LV355

1 FLOOR FINISHES PLAN
SCALE 1: 50/50



Pembuat Tugas

Perencana Struktur

Perencana Asitektur & Interior

Yolanda C.

Konstantin OS

Kontraktor

Nama Gambar

FLOOR FINISHES PLAN

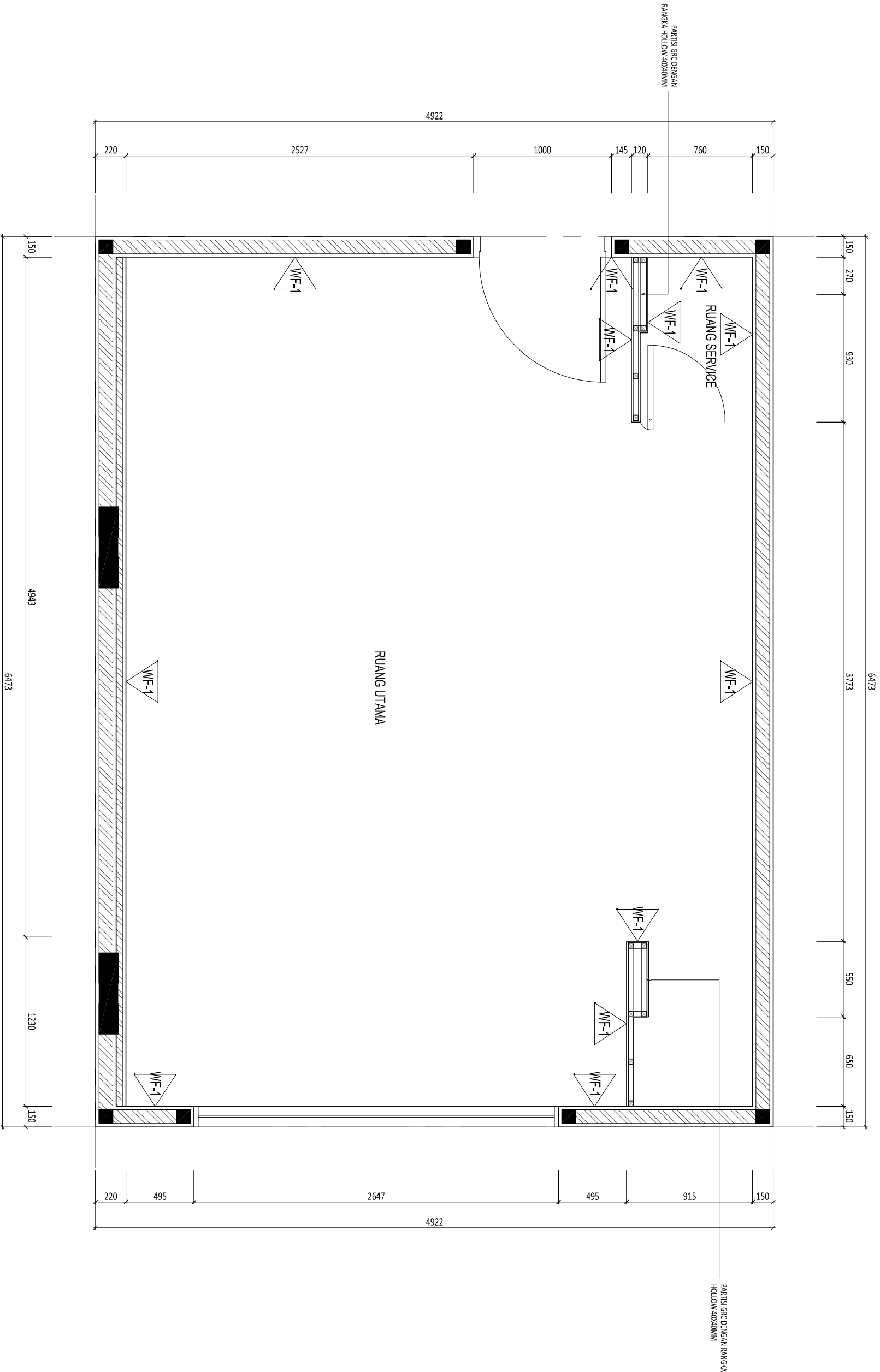
Skala : 1:50 A3 Status
WORKING DRAWING

Nomor Gambar :
ID-01.003-001 Tanggal
31/10/2022

NO	R E V I S I	TANGGAL	Digambar	Diperiksa	Dibatal/ul
01.	URAIAN	31/10/2022	NR	Yolanda C.	
02.	WORKING DRAWING - R0				
03.					
04.					
05.					

REVISION
NO. DATE
01. 31/10/2022
02.
03.
04.
05.

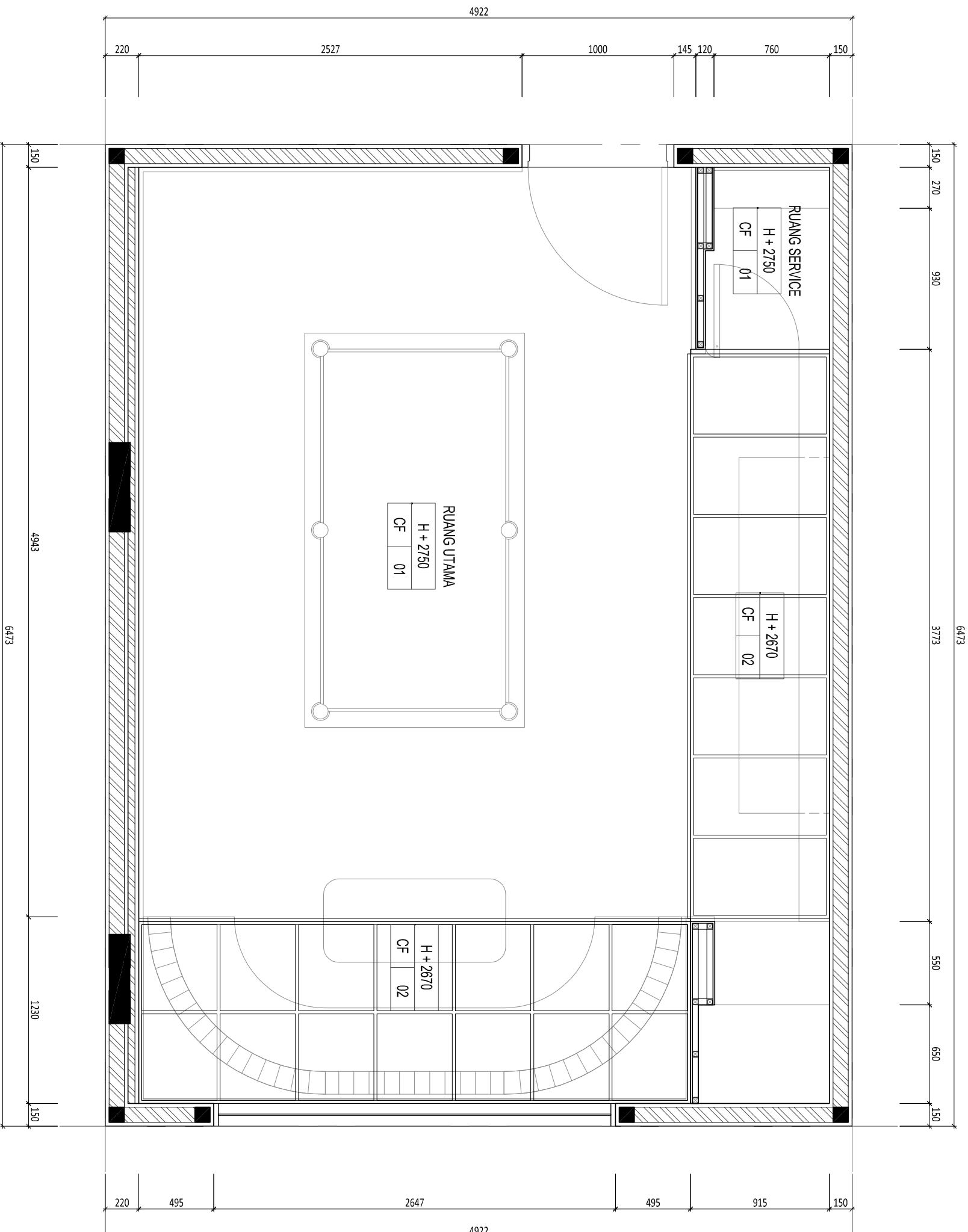
DATE: 31/10/2022
DRAWN: NR
CHECKED: Yolanda C.
APPROVED: [Signature]
NO PART OF THIS DOCUMENT MAY BE REPRODUCED, TRANSMITTED, OR RECORDED IN ANY FORM OR BY ANY MEANS, WITHOUT THE WRITTEN PERMISSION OF THE ARCHITECT/ENGINEERS.



1 WALL FINISHES PLAN
SCALE 1: 30/89

D:\NR_Studio\Project\SR Residence\03_Production & Management\02_For Construction Drawing\04_bender\ID-01-004 - Wall Finishes Plan.dwg Proyek SR RESIDENCE		Ketersangan : CAT/KAM/PROT		Perencanaan Tugas Perencana Struktur		Perencanaan Asitektur & Interior Yolanda C.		Konsultan QS Kontraktor		R E V I S I <table border="1"> <thead> <tr> <th>NO</th> <th>URAIAN</th> <th>TANGGAL</th> </tr> </thead> <tbody> <tr> <td>01.</td> <td>WORKING DRAWING - PD</td> <td>31/10/2022</td> </tr> <tr> <td>02.</td> <td></td> <td></td> </tr> <tr> <td>03.</td> <td></td> <td></td> </tr> <tr> <td>04.</td> <td></td> <td></td> </tr> <tr> <td>05.</td> <td></td> <td></td> </tr> </tbody> </table>		NO	URAIAN	TANGGAL	01.	WORKING DRAWING - PD	31/10/2022	02.			03.			04.			05.			Dikambar NR		Diperiksa Yolanda C.		Dibeisului		Nama Gambar WALL FINISHES PLAN		Skala : 1:30 Nomor Gambar : ID-01.004-001 A3		Status WORKING DRAWING Tanggal 31/10/2022	
NO	URAIAN	TANGGAL																																							
01.	WORKING DRAWING - PD	31/10/2022																																							
02.																																									
03.																																									
04.																																									
05.																																									
2210-02\NR																																									

I-SAC C/P/TA
 BAWA SAHIBU ATAU WAKIL SAHIBU ATAU
 ARSITEK/INSYENIR
 COPYRIGHT
 NO PART OF THIS DOCUMENT MAY BE REPRODUCED,
 TRANSMITTED, OR RECORDED IN ANY FORM OR BY ANY
 MEANS, WITHOUT THE WRITTEN PERMISSION OF THE
 ARCHITECT/ENGINEERS



1
SCALE 1 : 50/49
CEILING PLAN

D:\NR_Studio\Project\SR Residence\03_Production & Management\02_For Construction Drawing\04_Initial\ID-01-005_Ceiling Plan.dwg
Proyek

Keterangan
CF 01 : GYPSUM BOARD 9MM FIN. CAT
CF 02 : PLWOOD FIN. TACO PVC G021

Perencanaan Tugas
Perencana Struktur
Perencana Arsitektur & Interior
Perencana ME
Konsultan QS
Kontraktor

Yolanda C.

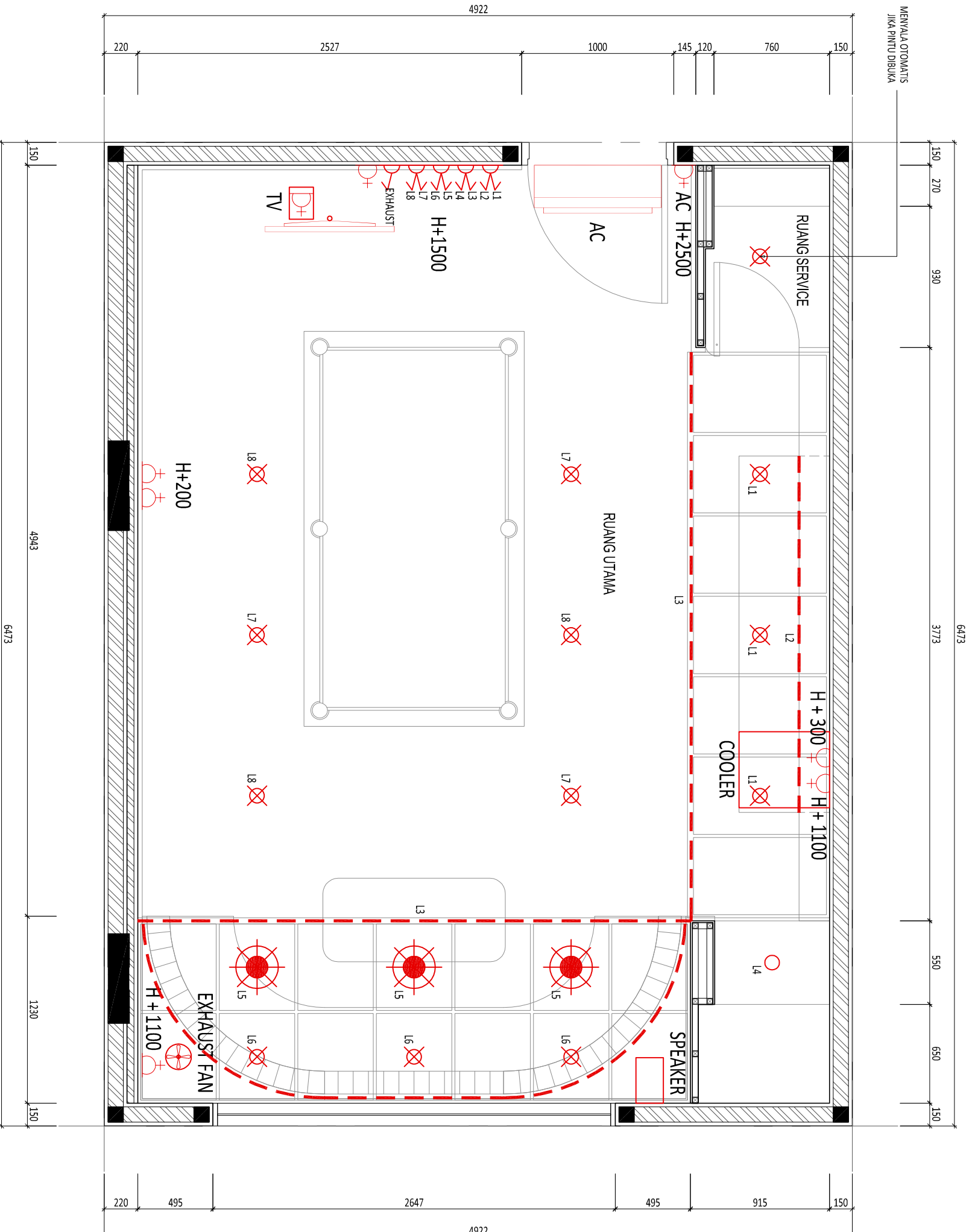
NO	URAIAN	TANGGAL	Digambar	Diperiksa	Dibuat/Revisi
01.	WORKING DRAWING - RD	31/10/2022	NR	Yolanda C.	
02.					
03.					
04.					
05.					

Revisi
Nama Gambar
CEILING PLAN
Skala : 1:50
A3
Status
WORKING DRAWING
Tanggal
31/10/2022

SR
RESIDENCE

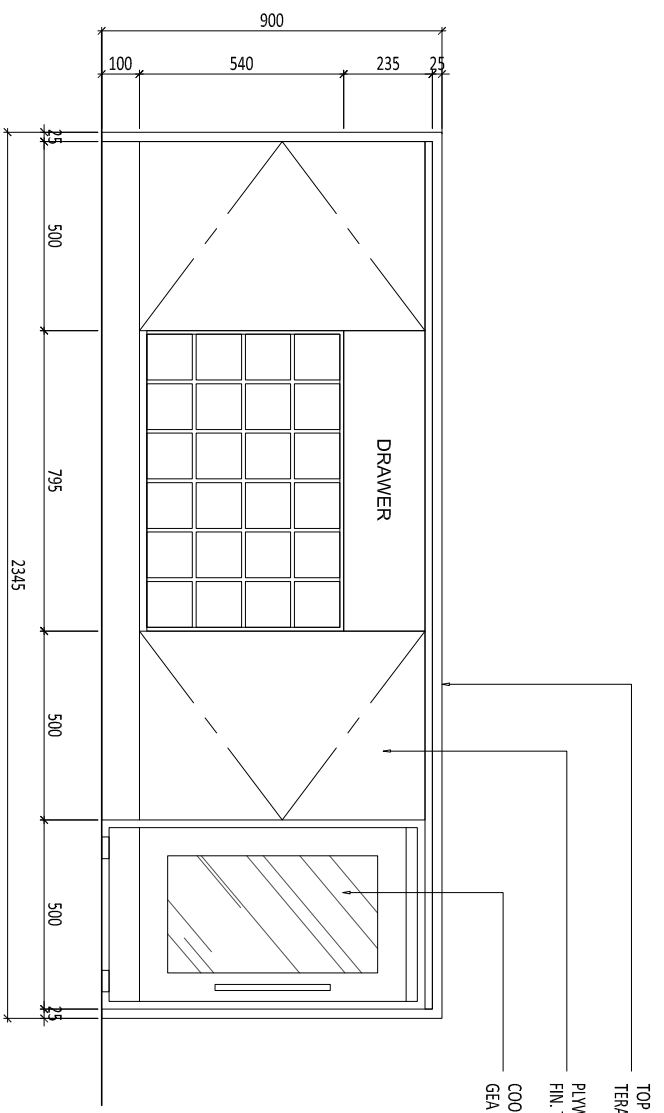
ID-01.005-001

2210-024NR

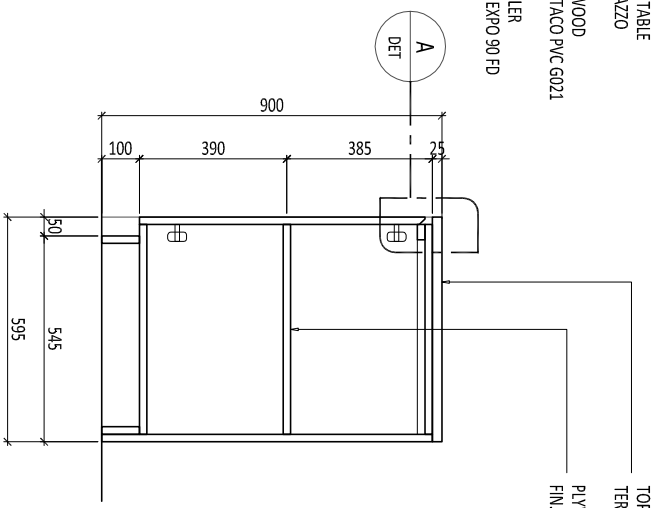


1 ELECTRICAL PLAN
SCALE 1: 30/09

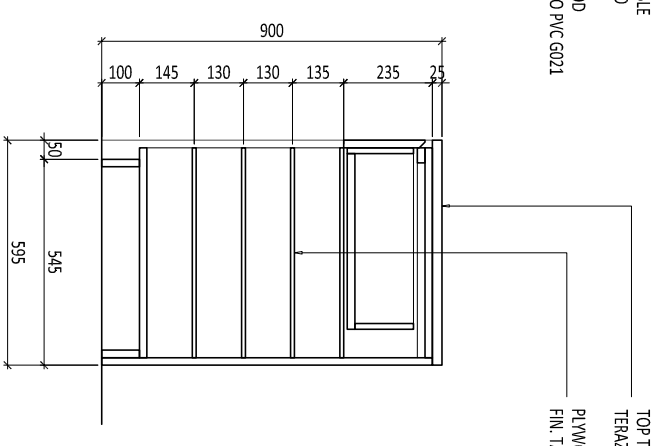
D:\NR_Studio\Project\SR Residence\03_Production & Management\02_For Construction Drawing\04_Instalasi\01-006 - Electrical Plan.dwg Proyek: SR RESIDENCE		Katerangan: <ul style="list-style-type: none"> : DOWNLIGHT INBOW 3000K : SOLIKLINT IKEA : LED STRIPE 3000K : SAKLAR SINGLE : SAKLAR DOUBLE : STOP KONTAK 		Perencanaan: <ul style="list-style-type: none"> Perencana Struktur Perencana ME 		Perencanaan: <ul style="list-style-type: none"> Perencana Asitektur & Interior: Yolanda C. Perencana ME 		Konsultan QS: <ul style="list-style-type: none"> Kontraktor 		R E V I S I <table border="1"> <thead> <tr> <th>NO</th> <th>URAIAN</th> <th>TANGGAL</th> </tr> </thead> <tbody> <tr> <td>01.</td> <td>WORKING DRAWING - RD</td> <td>31/10/2022</td> </tr> <tr> <td>02.</td> <td></td> <td></td> </tr> <tr> <td>03.</td> <td></td> <td></td> </tr> <tr> <td>04.</td> <td></td> <td></td> </tr> <tr> <td>05.</td> <td></td> <td></td> </tr> </tbody> </table>		NO	URAIAN	TANGGAL	01.	WORKING DRAWING - RD	31/10/2022	02.			03.			04.			05.			Dikambar: NR Diperiksa: Yolanda C. Disetujui:		Nama Gambar: ELECTRICAL PLAN Skala: 1:30 Nomor Gambar: ID-01.006-001 Status: WORKING DRAWING Tanggal: 31/10/2022	
NO	URAIAN	TANGGAL																															
01.	WORKING DRAWING - RD	31/10/2022																															
02.																																	
03.																																	
04.																																	
05.																																	



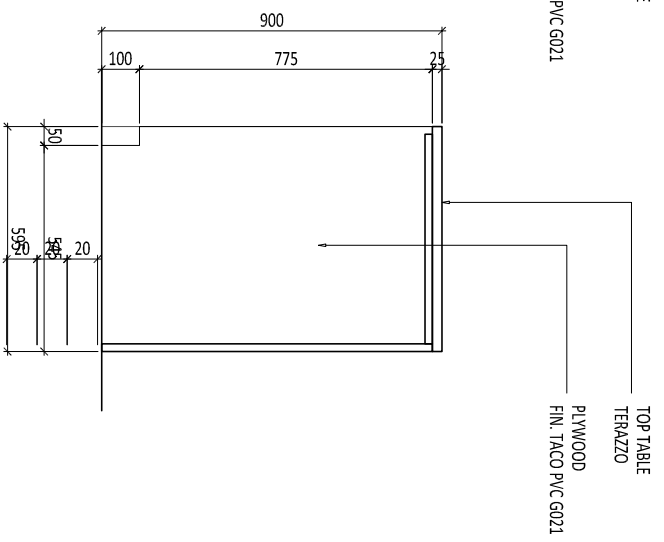
2 ELEVATION
SCALE: 1: 20/80



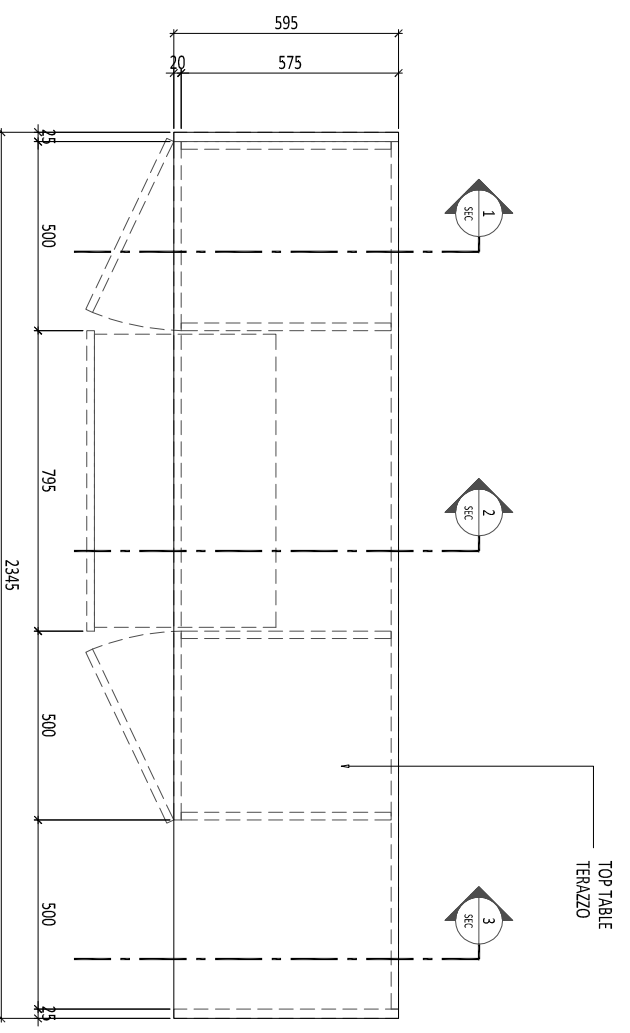
3 SECTION 1
SCALE: 1: 20/80



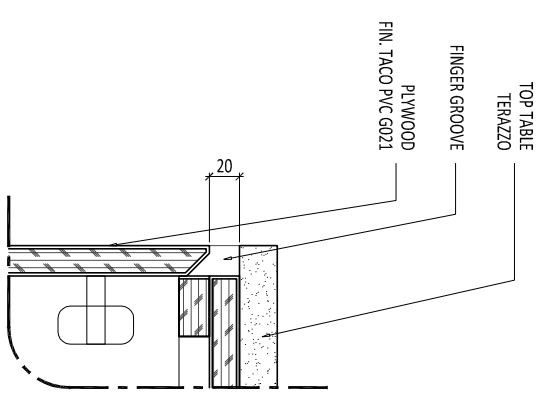
4 SECTION 2
SCALE: 1: 20/80



5 SECTION 3
SCALE: 1: 20/80



1 PLAN
SCALE: 1: 20/80



6 DETAIL A
SCALE: 1: 3/80



7 3D IMAGE
SCALE: 1: 8/8

D:\NR_Studio\Project\SR Residence\03_Production & Management\02_For Construction Drawing\04_Material\ID-02-001 - Furniture Detail.dwg
Proyek Katering

SR
RESIDENCE

Perencanaan	Perencanaan Tugas
Perencanaan Struktur	Perencanaan ME

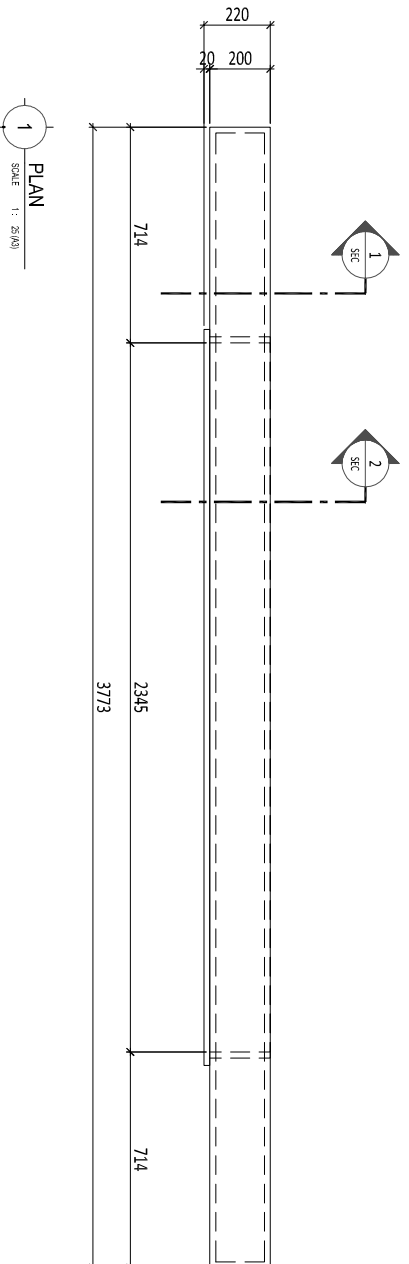
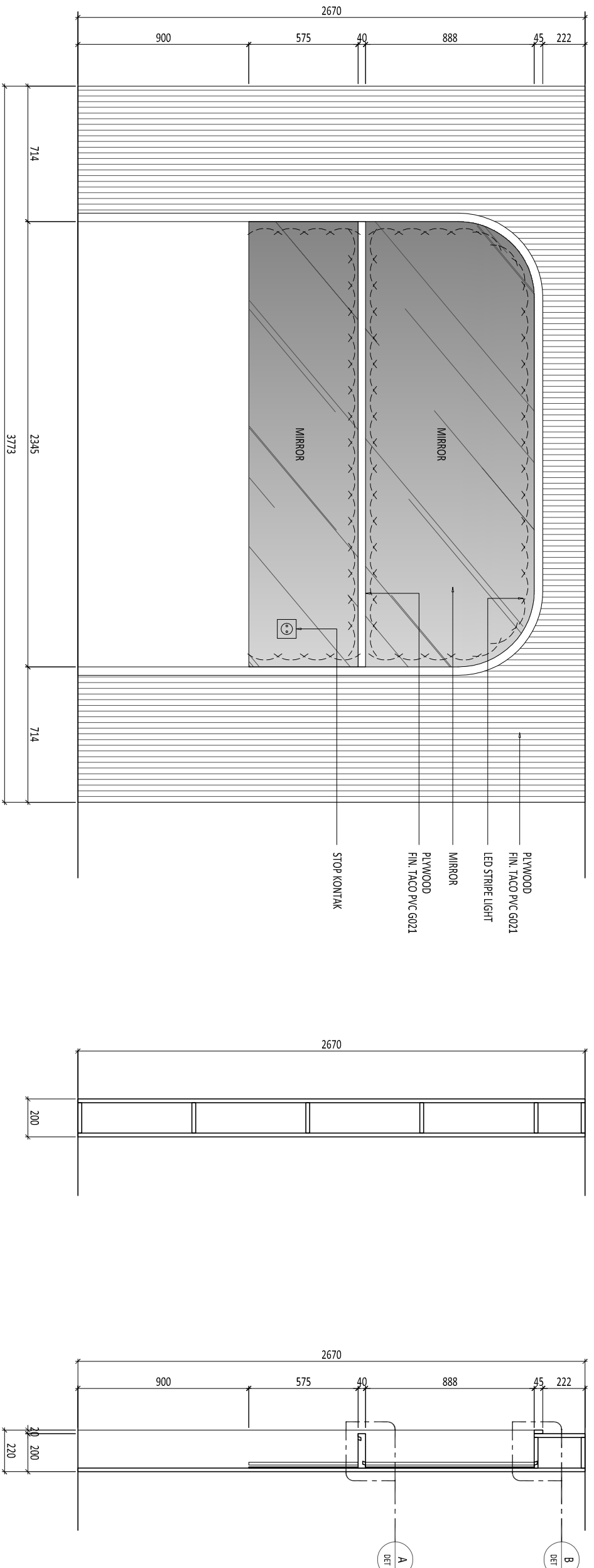
Perencana Asitektur & Interior
Yolanda C.

Konsultan QS

Kontraktor

NO	URAIAN	TANGGAL	Digambar	Diperiksa	Dibatal
01.	WORKING DRAWING - RD	31/10/2022	NR	Yolanda C.	
02.					
03.					
04.					
05.					

Nama Gambar: FURNITURE DETAIL F-01
Skala: 1:20 A3
Nomor Gambar: ID-02-001-001
Status: WORKING DRAWING
Tanggal: 31/10/2022



D:\NR_Studi\Project\SR Residence\03_Production & Management\02_For Construction Drawing\04_Stand\ID-02-001 - Furniture Detail.dwg
 Proyek Ketersangan

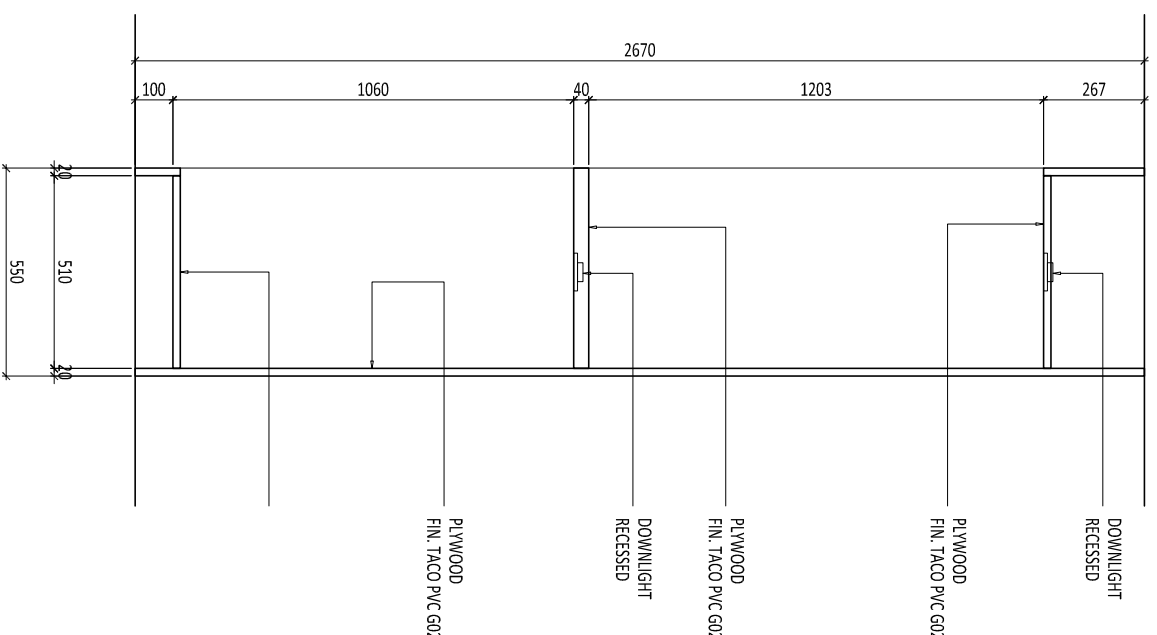
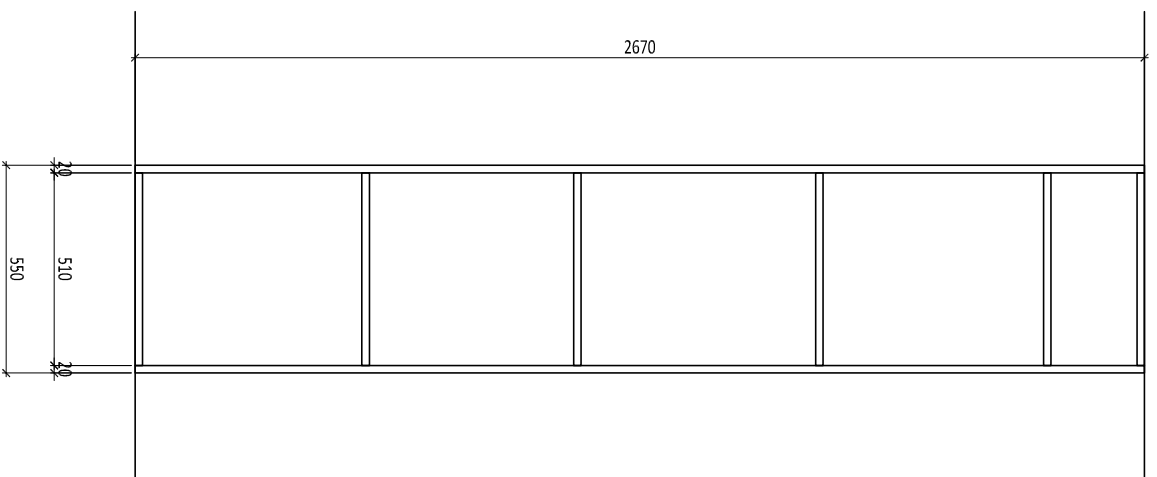
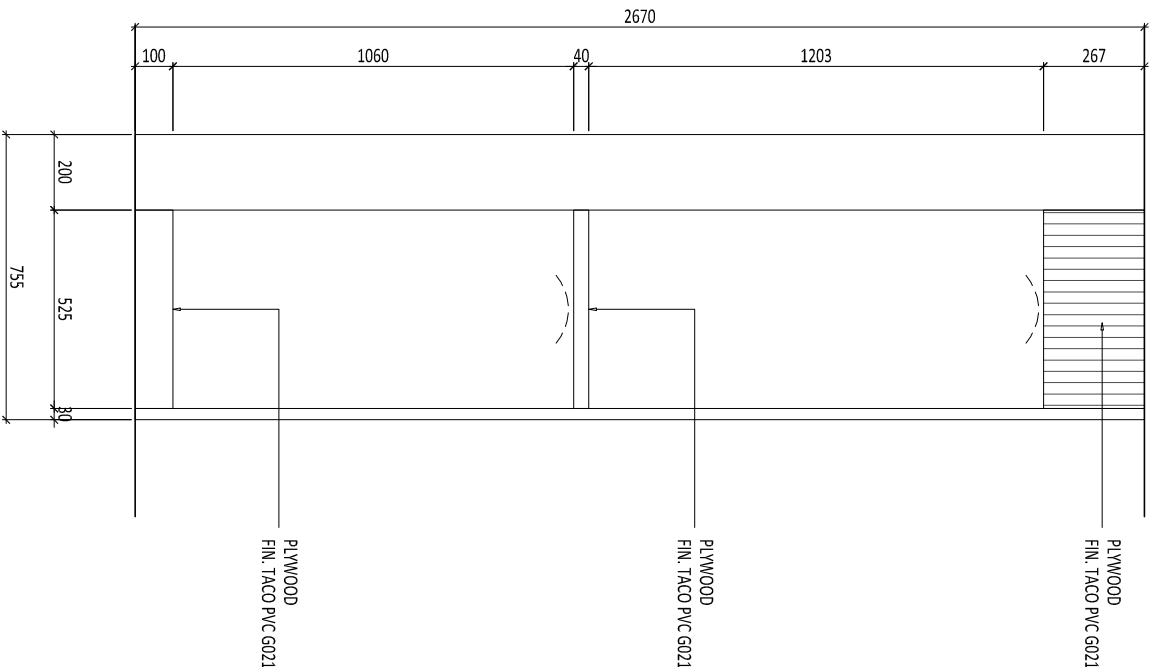
Perencanaan Tugas		Perencanaan Struktur	
Perencanaan Asitektur & Interior		Perencanaan ME	
Perencanaan OS		Konsultan OS	

Yolancia C.		Kontaktor	
Perencana ME			

NO	URAIAN	TANGGAL	Digambar	Diperiksa	Dibatal
01.	WORKING DRAWING - RD	31/10/2022	NR	Yolancia C.	
02.					
03.					
04.					
05.					

Nama Gambar		FURNITURE DETAIL	
F-02		FURNITURE DETAIL	
Skala: 1:25	A3	Status	WORKING DRAWING
Nomor Gambar: ID-02-002-001		Tanggal	31/10/2022

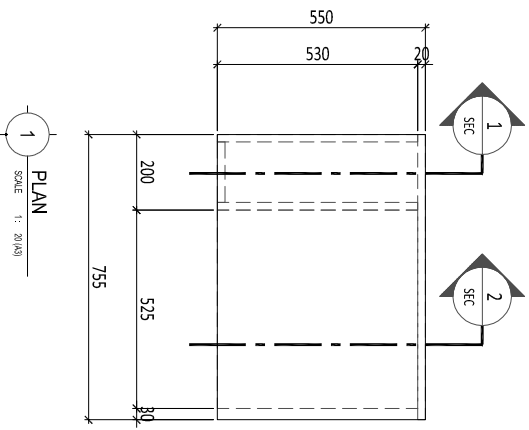
2209-01/NR



2 ELEVATION
SCALE 1: 20/40

3 SECTION 1
SCALE 1: 20/40

4 SECTION 2
SCALE 1: 20/40



1 PLAN
SCALE 1: 20/40

D:\NR_Studi\Project\SR Residence\03_Production & Management\02_Furniture\ID-02-001 - Furniture Detail.dwg

Proyek Ketersangan

SR
RESIDENCE

Pembeli Tugas

Perencana Arsitektur & Interior

Konsultan QS

NO

R E V I S I

Digambar

Diperiksa

Dibesului

Nama Gambar

Skala: 120

Status

Perencana Struktur

Yolanda C.

Kontraktor

01.

URAIAN

NR

Yolanda C.

FURNITURE DETAIL
F-03

A3

Nomor Gambar: ID-02-003-001

WORKING DRAWING
Tanggal 31/10/2022

Perencana ME

Kontraktor

02.

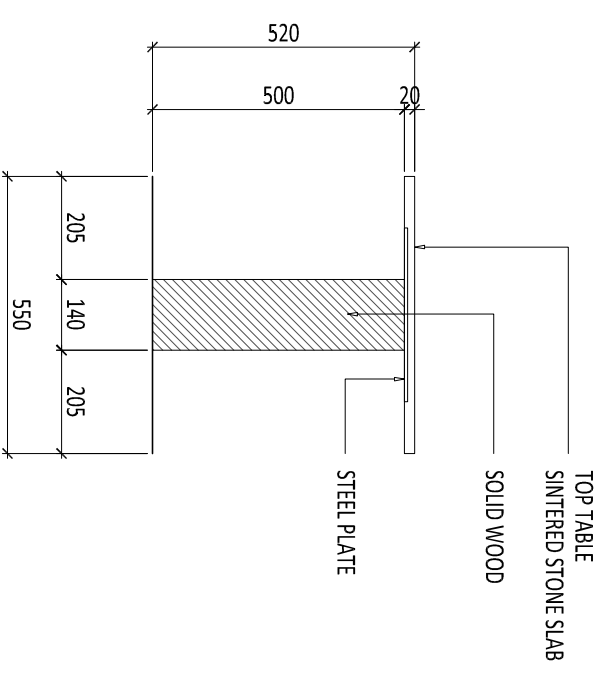
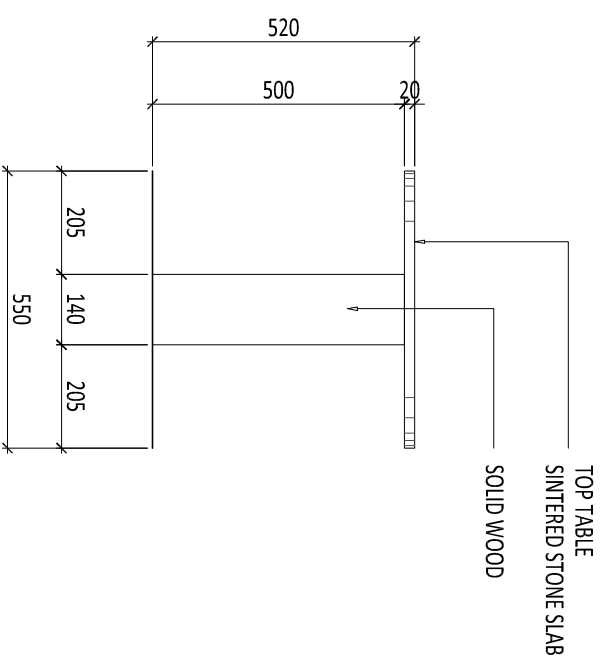
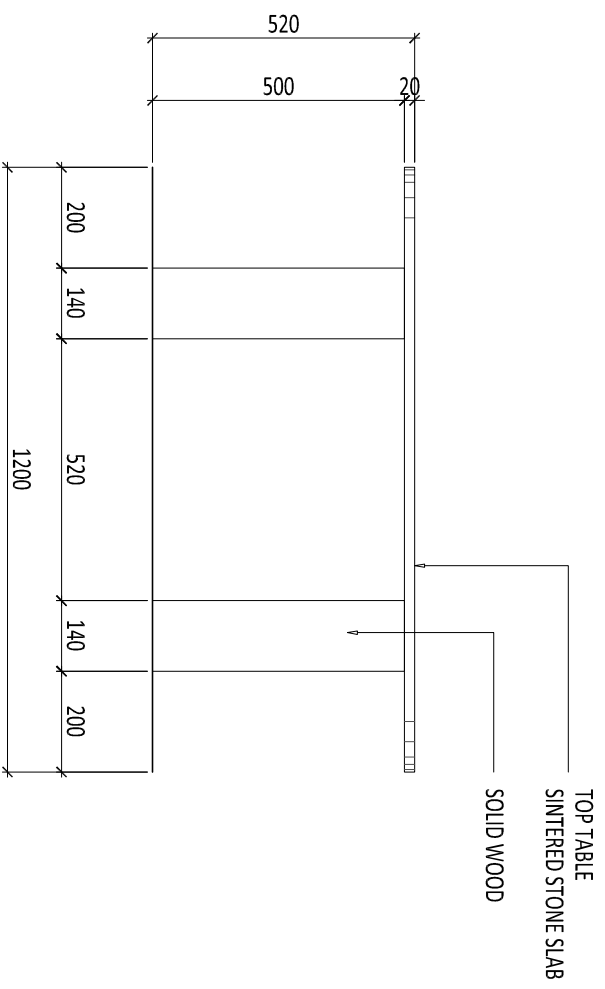
TANGGAL

31/10/2022

NO PART OF THIS DOCUMENT MAY BE REPRODUCED, TRANSMITTED, OR RECORDED IN ANY FORM OR BY ANY MEANS, WITHOUT THE WRITTEN PERMISSION OF THE ARCHITECT/ENGINEERS.

31/10/2022

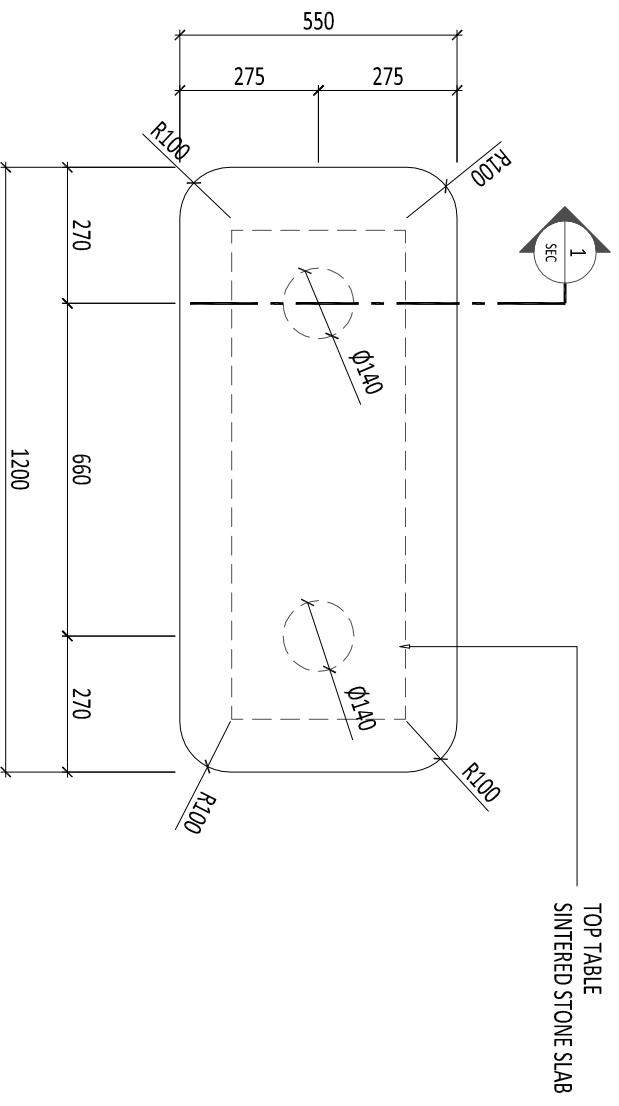
2209-01/NR



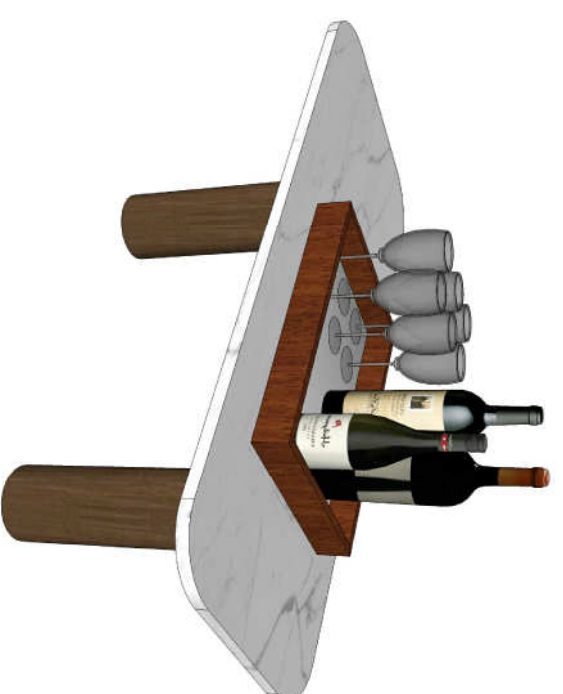
2 ELEVATION
SCALE 1: 15/80

3 ELEVATION
SCALE 1: 15/80

4 SECTION 1
SCALE 1: 15/80

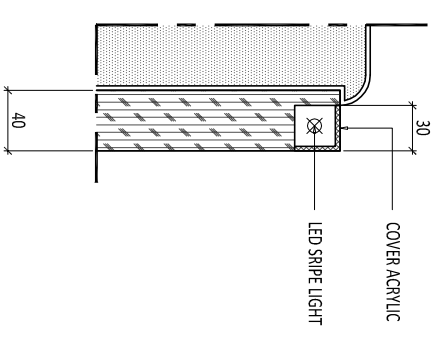
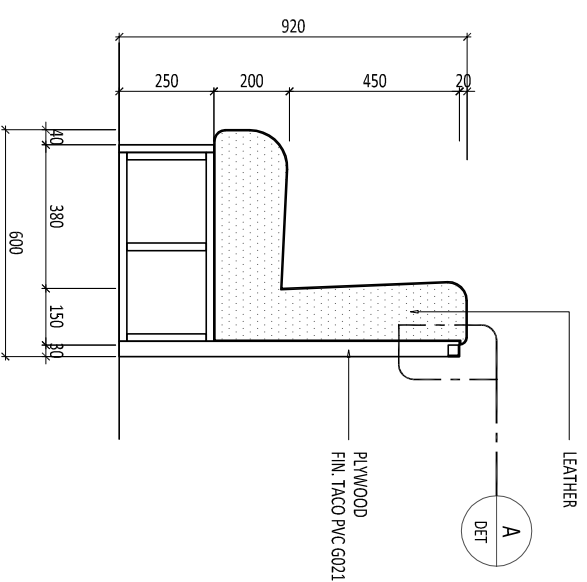
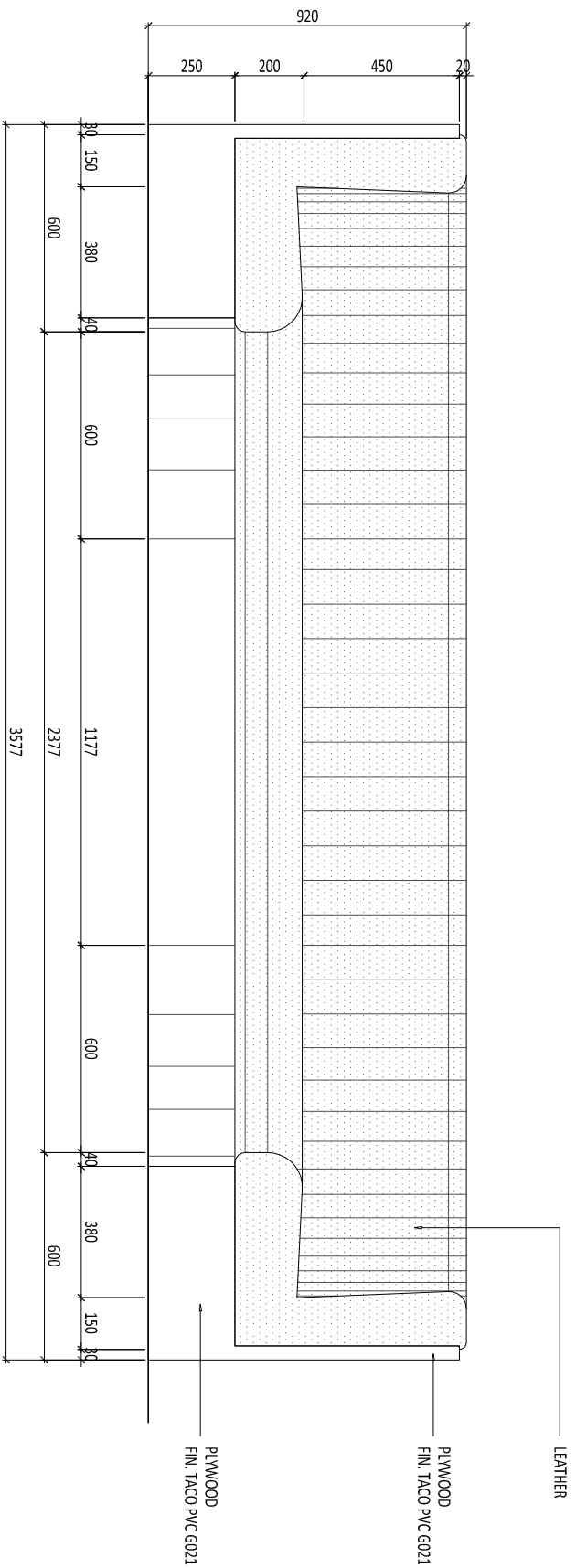


1 PLAN
SCALE 1: 15/80



5 3D IMAGE
SCALE 1: 1/5

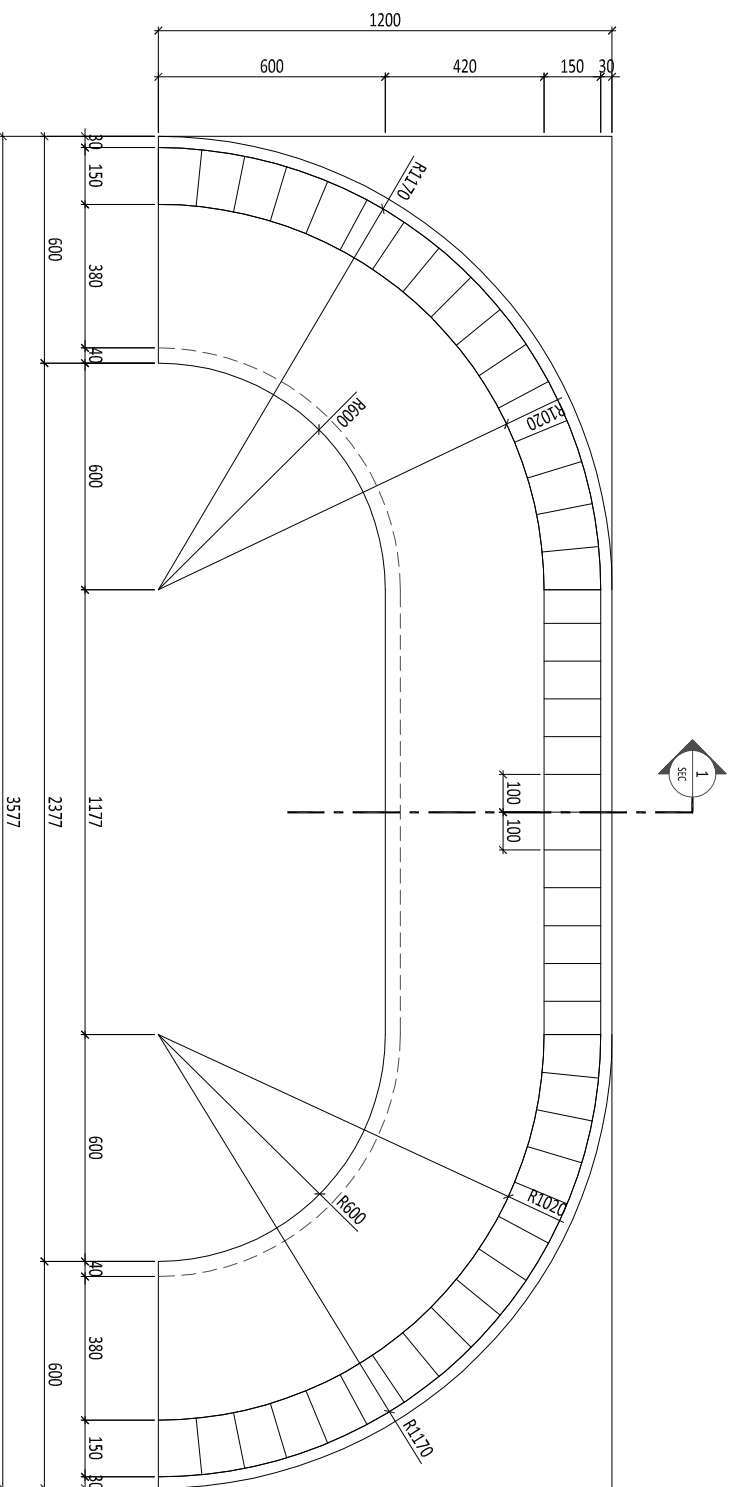
D:\NR_Studio\Project\SR Residence\03_Production & Management\02_For Construction Drawing\04_Stand\ID-02-001 - Furniture Detail.dwg		2209-01\NR	
Proyek		Keterangan	
SR RESIDENCE		Perencanaan	
Perencanaan Tugas		Perencanaan Struktur	
Perencanaan Asitektur & Interior		Perencanaan ME	
Yolanda C.		Konstruksi QS	
Kontaktor		Kontaktor	
R E V I S I		Dibambar	
NO	URAIAN	TANGGAL	NR
01.	WORKING DRAWING - RD	31/10/2022	Yolanda C.
02.			
03.			
04.			
05.			
Nama Gambar		Dibuat	
FURNITURE DETAIL		F-04	
Skala: 1:15		A3	
Nomor Gambar: ID-02-004-001		Status	
		WORKING DRAWING	
		Tanggal	
		31/10/2022	



2 ELEVATION
SCALE 1: 20/100

3 SECTION 1
SCALE 1: 20/100

4 DETAIL A
SCALE 1: 5/100



1 PLAN
SCALE 1: 20/100



5 3D IMAGE
SCALE 1: 1/100

D:\NR_Studio\Project\SR Residence\03_Production & Management\02_For Construction Drawing\04_Standar\ID-02-001 - Furniture Detail.dwg

Proyek

Keterangan

Pembeli Tugas

Perencana Asitektur & Interior

Konstelan OS

NO

R E V I S I

TANGGAL

Digambar

Diperiksa

Dibuat/ul

Nama Gambar

2209-01/NR

SR
RESIDENCE

Perencana Struktur

Perencana ME

Kontraktor

01.

URAIAN

02.

NR

Yolanda C.

FURNITURE DETAIL
F-05

Skala: 120

Status
WORKING DRAWING

Perencana Struktur

Perencana ME

Kontraktor

03.

URAIAN

04.

NR

Yolanda C.

FURNITURE DETAIL
F-05

Skala: 120

Status
WORKING DRAWING

Perencana Struktur

Perencana ME

Kontraktor

05.

URAIAN

05.

NR

Yolanda C.

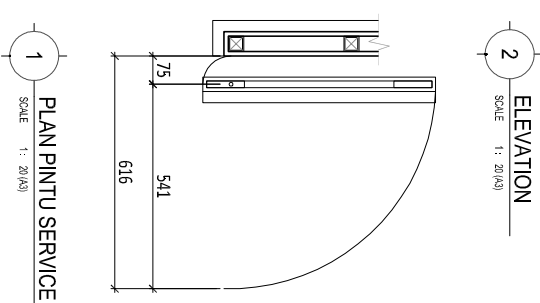
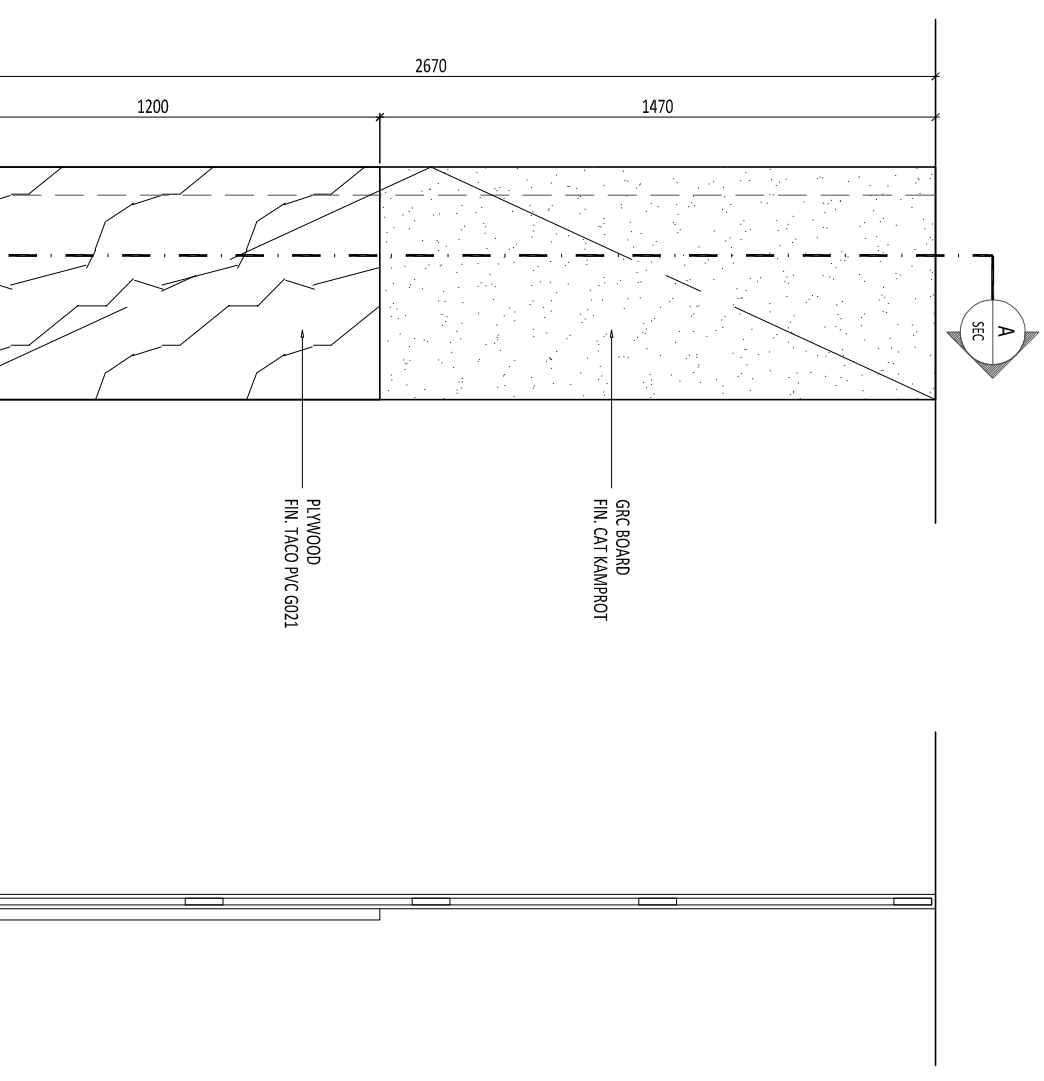
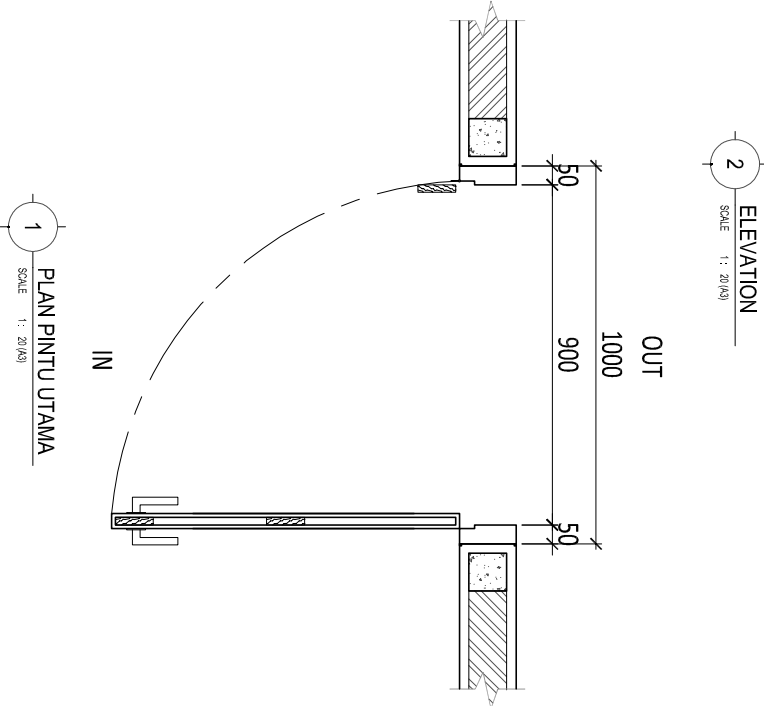
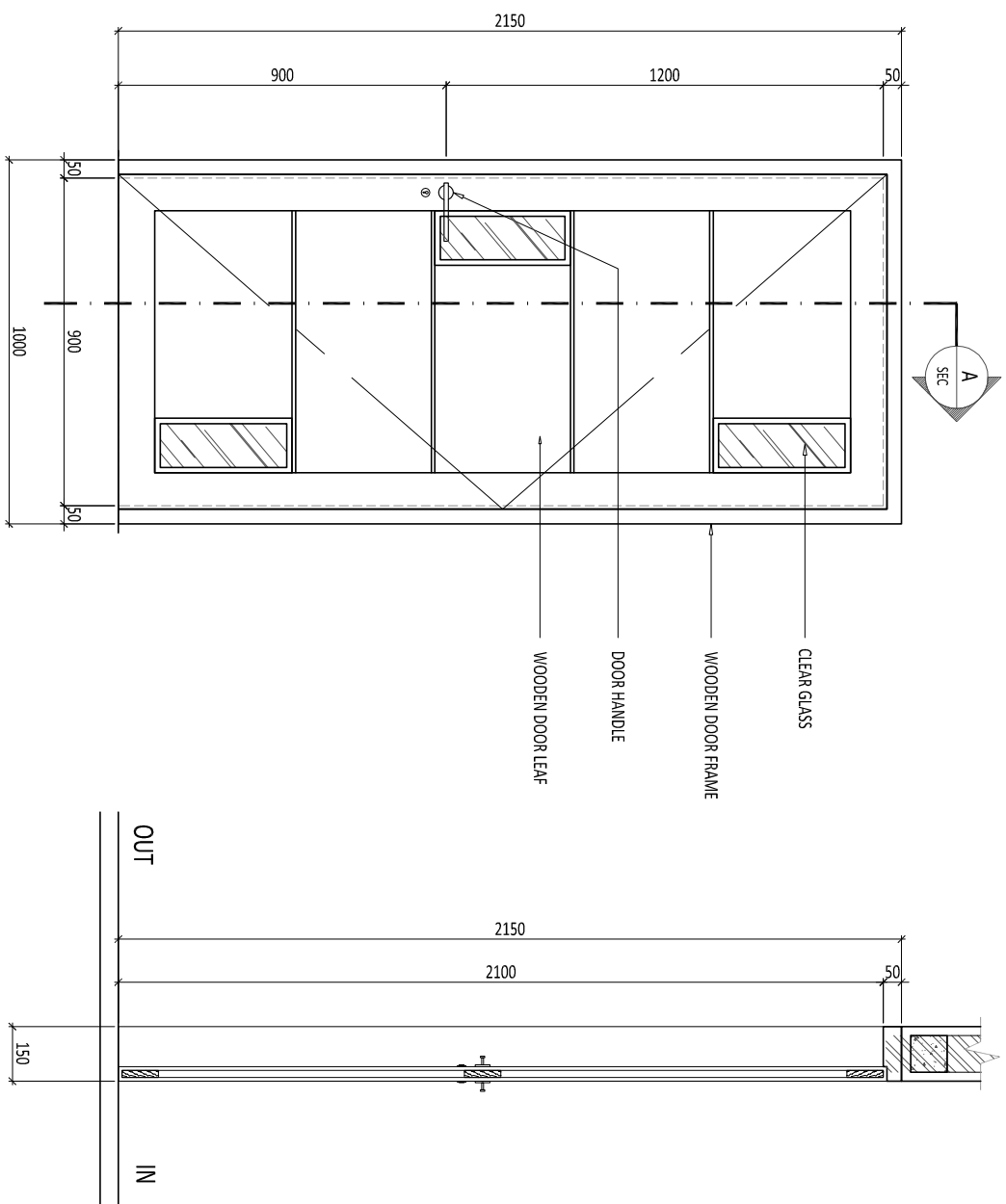
FURNITURE DETAIL
F-05

Skala: 120

Status
WORKING DRAWING

Monor Gambar: ID-02-005-001

Tanggal
31/10/2022



D:\NR_Studio\Project\SR Residence\03_Production & Management\02_For Construction Drawing\04_Interior\ID-03.001 - Interior Detail.dwg
 Proyek Ketersediaan

SR
 RESIDENCE

Pembeli Tugas

Perencana Struktur

Perencana Arsitektur & Interior

Yolancia C.

Perencana ME

Konsultan QS

Kontraktor

R E V I S I			
NO	URAIAN	TANGGAL	
01.	WORKING DRAWING - RD	31/10/2022	
02.			
03.			
04.			
05.			

Digambar	Diperiksa	Dibuat
NR	Yolancia C.	

Nama Gambar

DOOR DETAIL

Skala: 120

A3

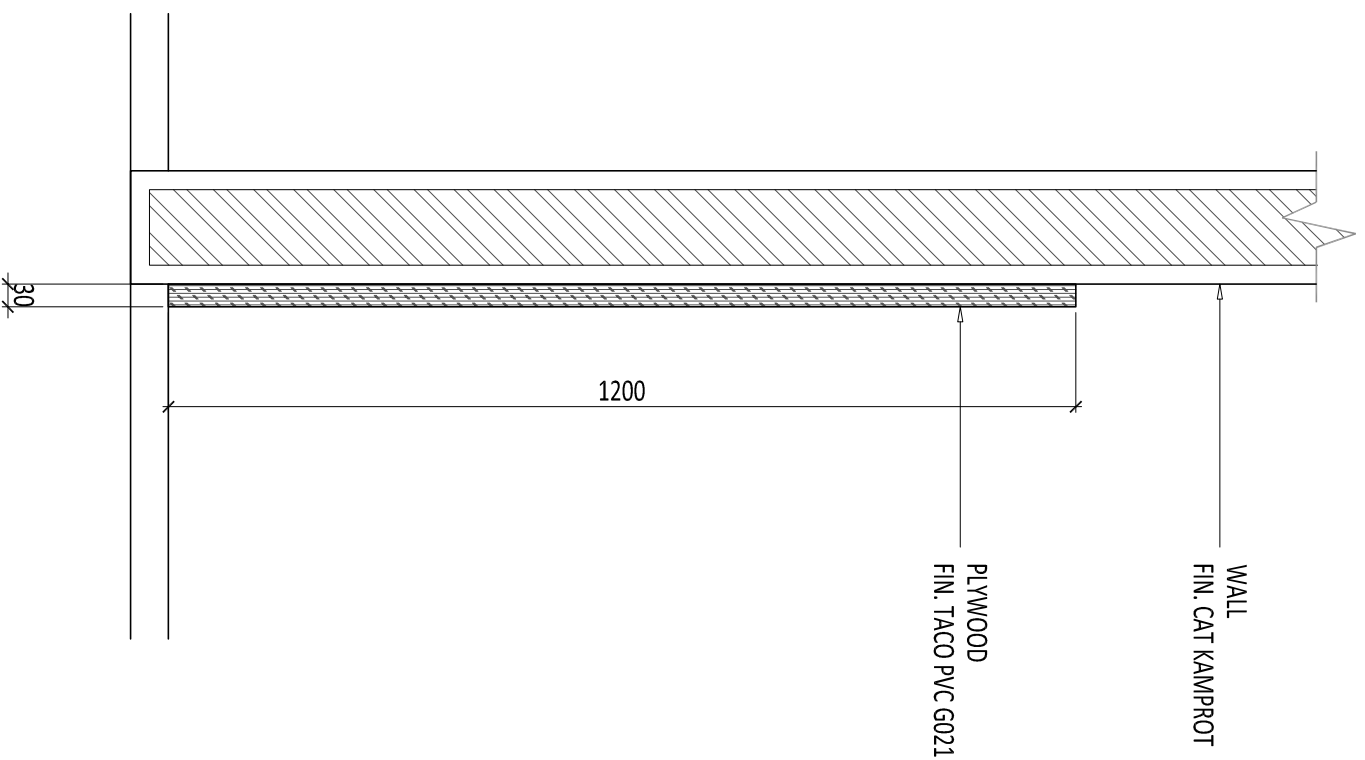
Status
 WORKING DRAWING

Nomor Gambar:

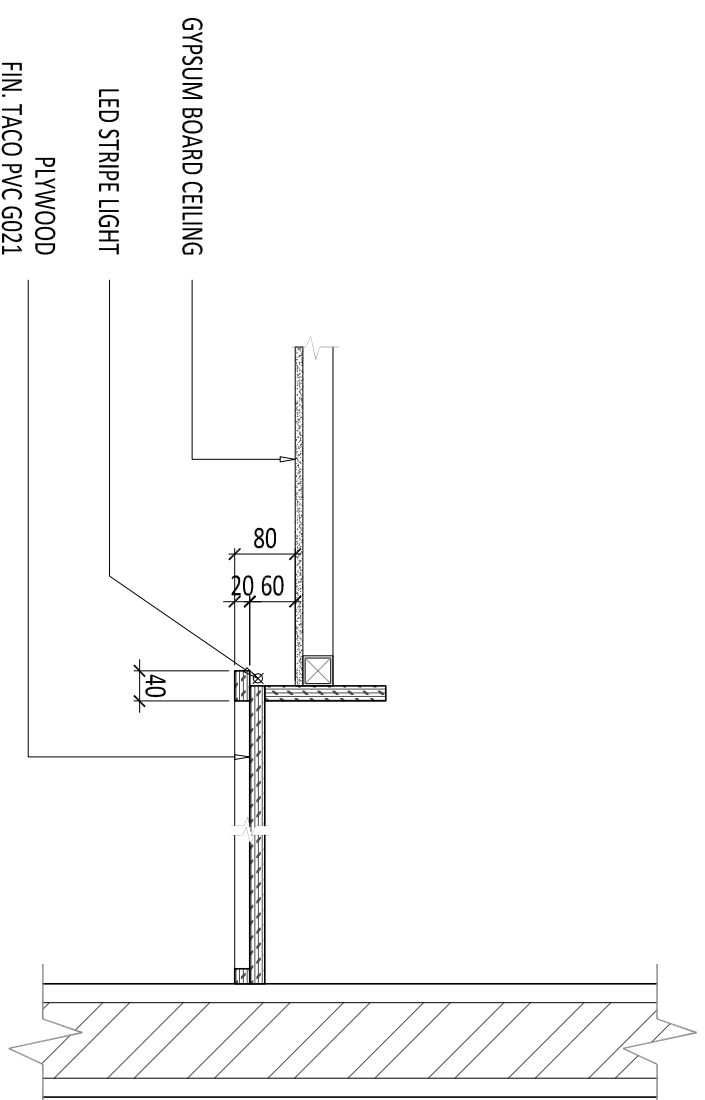
ID-03.001-001

Tanggal
 31/10/2022

2209-01/NR



1
DETAIL DINDING
SCALE 1 : 20 (A3)



2
DETAIL CEILING
SCALE 1 : 10 (A3)